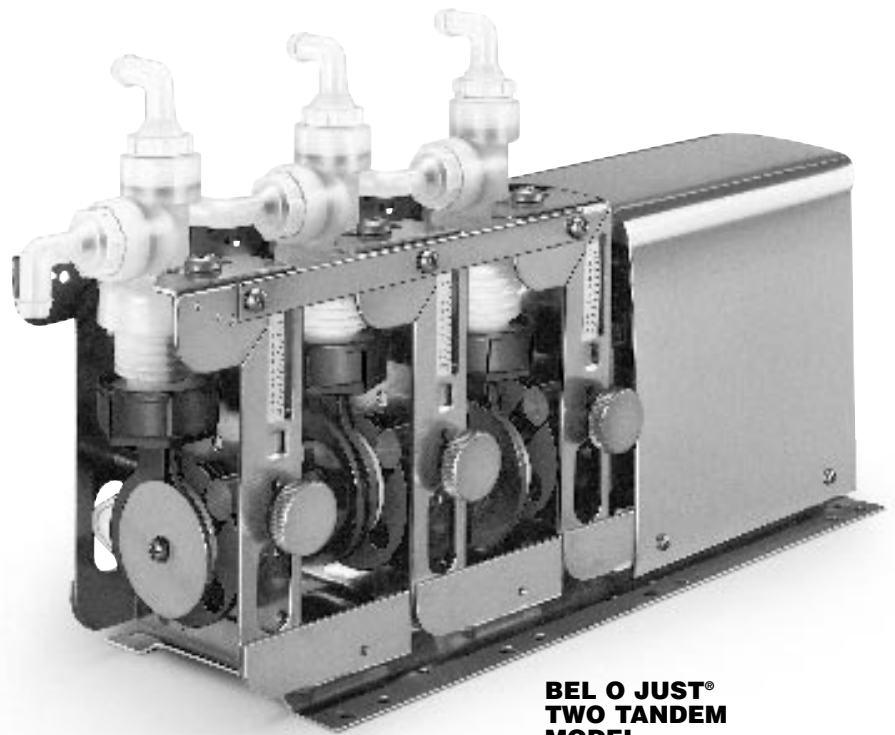


Three Tandem Pumps

Three tandem bellows pumps feature modular design for proportioning separate liquids. The flow rate of each bellows module is independently adjustable. Bellows modules are assembled out-of-phase for most efficient power usage. Total output of pump is limited to 3,000 ml/min.



**BEL O JUST®
TWO TANDEM
MODEL**

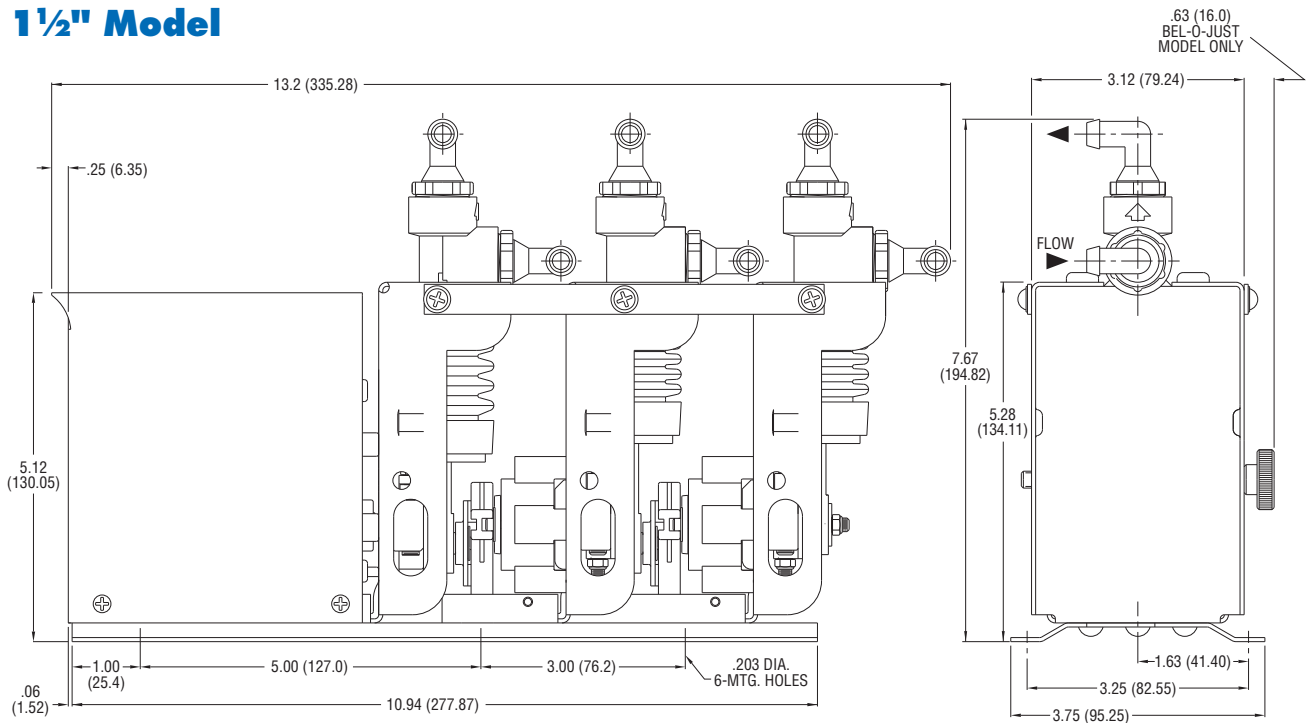
**Standard
and
BEL O JUST®
Models**

MODEL SPECIFICATIONS													
Standard Single Model Number		BEL O JUST® Model Number		Bellows	Discharge Strokes per minute (Motor RPM)		Maximum Flow ml per minute per module		Gallons (Liters) per hour per module		Max. Pressure	Electrical Amps*	Approx. Wt.
120V/60 Hz 110V/50 Hz	240V/60 Hz 220V/50 Hz	120V/60 Hz 110V/50 Hz	240V/60 Hz 220V/50 Hz	Diameter Inches	50 Hz	60 Hz	50 Hz	60 Hz	50 Hz	60 Hz	PSI (kg/cm²)	120V 60 Hz	lbs.
13700-011	13700-012	14252-007	14252-008	1 x 1 x 1	50	60	250.0/ 250.0/ 250.0	300.0/ 300.0/ 300.0	4.0/4.0/4.0 (15.0/15.0/ 15.0)	4.8/4.8/4.8 (18.0/18.0/ 18.0)	20/20/20 (1.50/1.50/ 1.50)	1.1	9
13700-009	13700-010	14252-005	14252-006	1 x 1 x 1	75	90	375.0/ 375.0/ 375.0	450.0/ 450.0/ 450.0	5.9/5.9/5.9 (22.5/22.5/ 22.5)	7.1/7.1/7.1 (27.0/27.0/ 27.0)	20/20/20 (1.50/1.50/ 1.50)	1.1	9
13716-012	13716-013	15905-003	15905-004	1½ x 1½ x 1½	50	60	525.0/ 525.0/ 525.0	630.0/ 630.0/ 630.0	8.3/8.3/8.3 (31.5/31.5/ 31.5)	10.0/10.0 10.0 (37.8/37.8/ 37.8)	10/10/10 (.73/.73/ .73)	1.1	9
13716-009	13716-010	15905-001	15905-002	1½ x 1½ x 1½	75	90	787.5/ 787.5/ 787.5	945.0/ 945.0/ 945.0	12.5/12.5 12.5 (47.2/47.2/ 47.2)	15.0/15.0 15.0 (56.7/56.7/ 56.7)	10/10/10 (.73/.73/ .73)	1.1	9

*Amp values for 240V will be approximately 50% of 120V values shown above.

THREE TANDEM BELLOWS - TYPICAL DIMENSIONS

1½" Model



Dimensions in Inches
(Dimensions in Millimeters)

Order Notes: When ordering a three tandem bellows model, add one "X" code for valve and O-ring material selection and one "T" code for connector selection from the Bellows Part Selection Guide.

Example: 13700-011 (1" x 1" x 1" three tandem model) with Hypalon® poppet valves and O-rings and elbow connectors for 3/8" I.D. tubing would be ordered as 13700-011 X-115 T-008 X-115 T-008 X-115 T-008.