

# Dosing Pump


GRI's new Dosing Pumps are ideal for low flow, low pressure metering applications where a fixed flow rate is required. The Dosing Pumps are constructed entirely of plastic and use GRI's time-proven bellows technology to provide a durable and accurate chemically resistant metering pump. When pumping water in laboratory test conditions, pumps rate at +/- 1%, stroke to stroke.

As with all of GRI pumps, the Dosing Pumps are highly OEM customizable. A variety of configurations are available to meet many different system requirements.

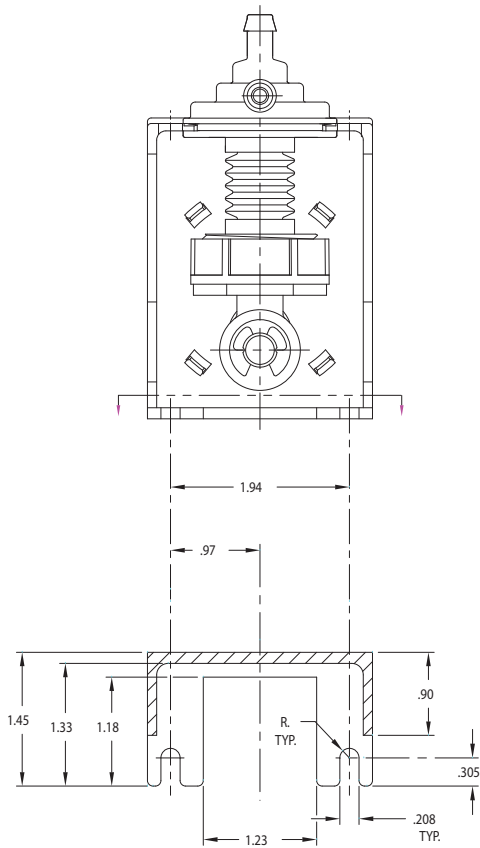
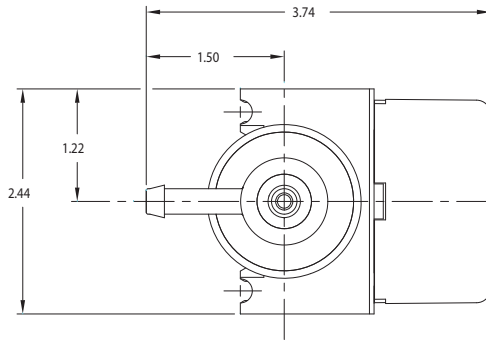
## Applications/Markets

- Soap Dispensing
- Chemical Dispensing
- Household Washer and Dryer Market
- Appliance Market
- Warewashing
- Water Purification Market
- Laboratory Market
- HVAC Market
- OEM Markets requiring metering pumps

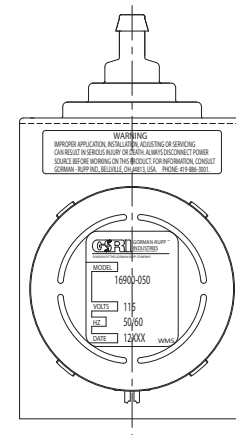
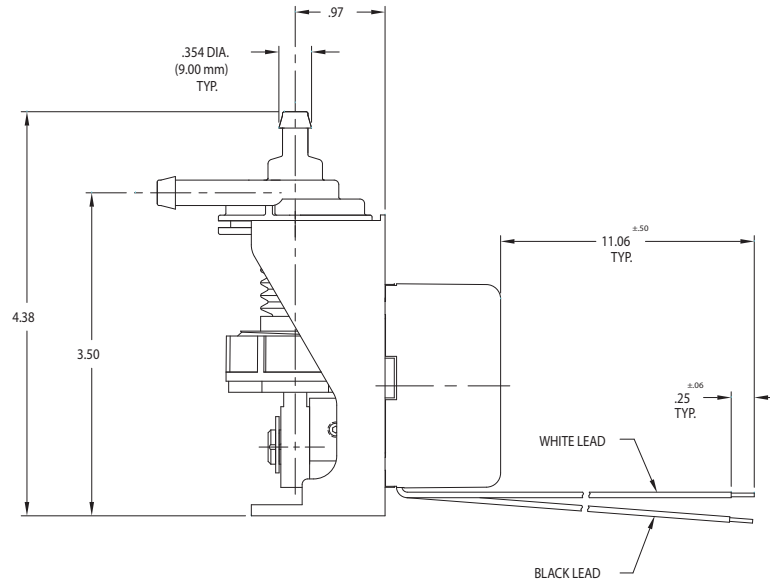


General Specifications		Agency Approvals		
Maximum Fluid Temperature: 140°F (60°C)		 Motor	RoHS Compliant	U.L. Motor: E338625
Maximum Discharge Pressure: 5 PSI		Wetted Materials		
Weight: 0.5 LBS (228 grams)		O-Rings (Elastomers): EPDM		
Self-Priming: Yes		Duckbill / Umbrella valve: EPT		
Hose Connectors: .25 Barb		Valve Body: PPR		
Voltage: 50/60Hz, 115v, 230v, ±10%		Displacement Cup: PPR		
Accuracy %: ± 1% stroke to stroke, ± 5% pump to pump		Bellows: PP		

Model Number	Bellow Size	Elastomer	Voltage	Frequency	RPM 50Hz	RPM 60Hz	Max Discharge Pressure	Max Flow 50Hz (ml/min)	Max Flow 60Hz (ml/min)
16900-050	3/4"	EPDM	115	50/60	20.0	24.0	5 PSI	36.0	43.2
16900-051	3/4"	EPDM	230	50/60	20.0	24.0	5 PSI	36.0	43.2
16900-052	3/4"	EPDM	115	50/60	12.5	15.0	5 PSI	22.5	27.0
16900-053	3/4"	EPDM	230	50/60	12.5	15.0	5 PSI	22.5	27.0
16900-054	3/4"	EPDM	115	50/60	6.6	8.0	5 PSI	11.9	14.4
16900-055	3/4"	EPDM	230	50/60	6.6	8.0	5 PSI	11.9	14.4
16900-056	1/2"	EPDM	115	50/60	20.0	24.0	5 PSI	10.0	12.0
16900-057	1/2"	EPDM	230	50/60	20.0	24.0	5 PSI	10.0	12.0
16900-058	1/2"	EPDM	115	50/60	12.5	15.0	5 PSI	6.3	7.5
16900-059	1/2"	EPDM	230	50/60	12.5	15.0	5 PSI	6.3	7.5
16900-060	1/2"	EPDM	115	50/60	6.6	8.0	5 PSI	3.3	4.0
16900-061	1/2"	EPDM	230	50/60	6.6	8.0	5 PSI	3.3	4.0



INSIDE BOTTOM MOUNTING DETAIL



16900-050 Dosing Pump  
 Outline & Mounting Dimensions