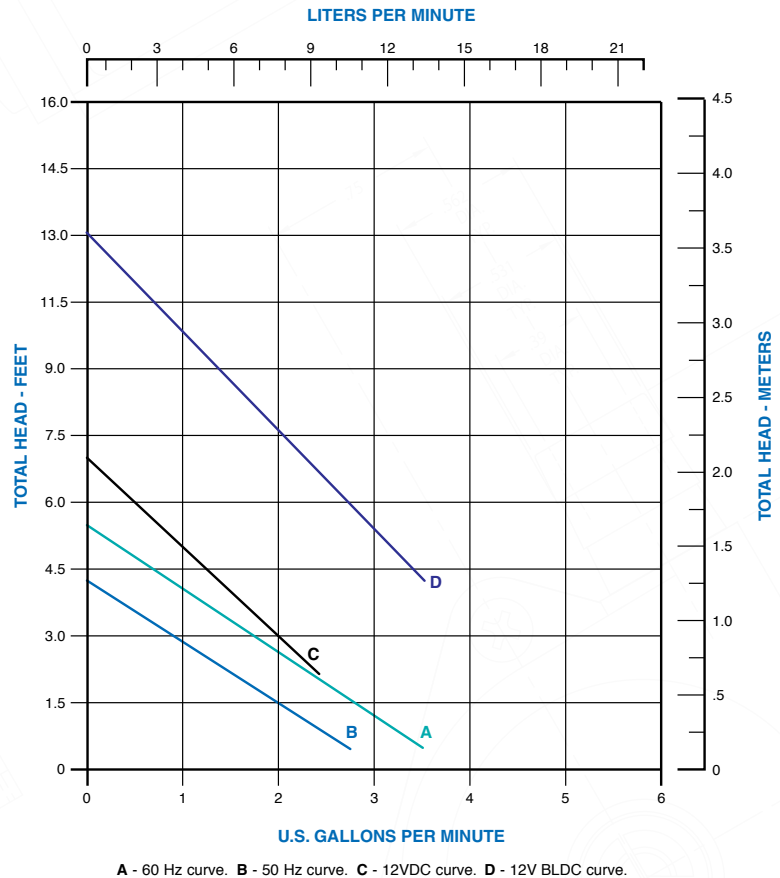


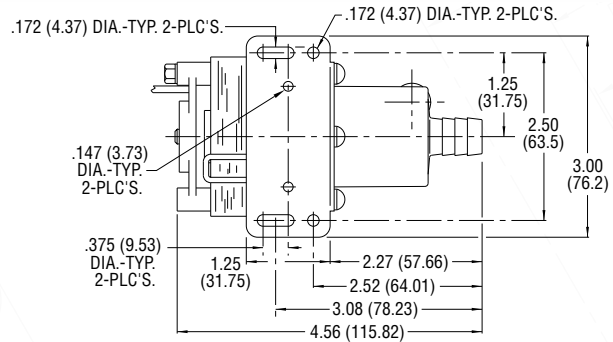
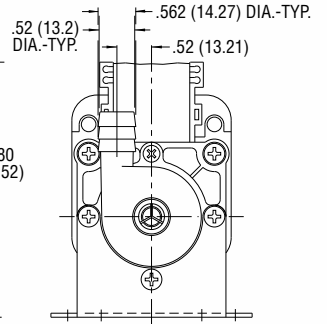
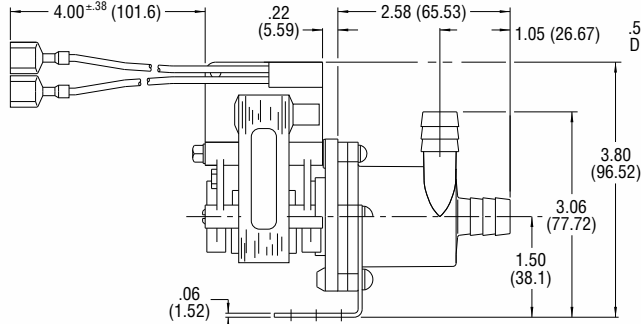
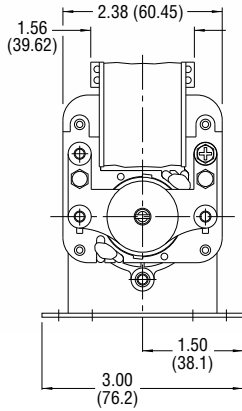
15651 Series Magnetic Drive Pump **Ask us about available OEM options**

Specifications	
Flow Rates	Max Range: 3.75 gpm
	Max Head: 13 ft
	Max Sys. Pressure: 75 psi
Fluid Temp. Max	203°F (95°C)
Materials in contact with solution / OEM options	
Body	Vectra®, Noryl®
Impeller	Vectra®
Bearings	Vectra®
Pump Shaft	Ceramic
Thrust Bearings	Glass-Filled Teflon®
O-Rings (Elastomers)	<ul style="list-style-type: none"> • EPT/EPDM • Viton®/Fluoroelastomer • Nitrile • Neoprene • Silicone • Kel-F®
Motor specifications / OEM options	
Motor Specs	<ul style="list-style-type: none"> • 115V, 50/60 Hz • 230V, 50/60 Hz • Open, • Shaded Pole, • Impedance Protected, • Sleeve Bearing • 12Vdc
Features	
Corrosion Resistant	Dry run capability
Hydraulically efficient	Quiet operation
No shaft seals	Flexible mounting and body discharge positions
Low current draw and heat rise	NSF certified models available



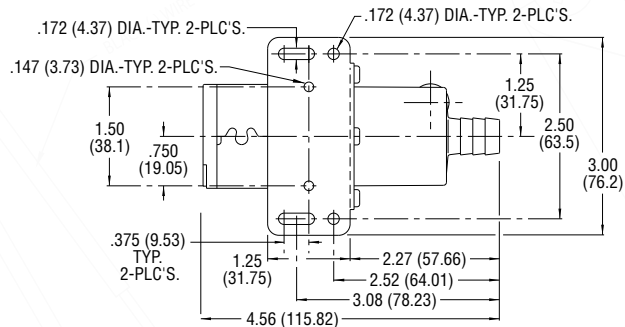
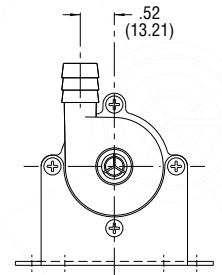
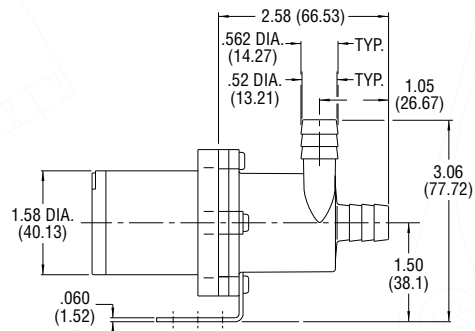
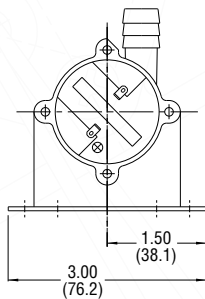
**15651 Series
AC Models:**

- 15651-050
- 15651-051
- 15651-052
- 15651-053
- 15651-054
- 15651-055
- 15651-056
- 15651-057



**15651 Series
DC Models:**

- 15651-058
- 15651-059



Dimensions in Inches
(Dimensions in Millimeters)