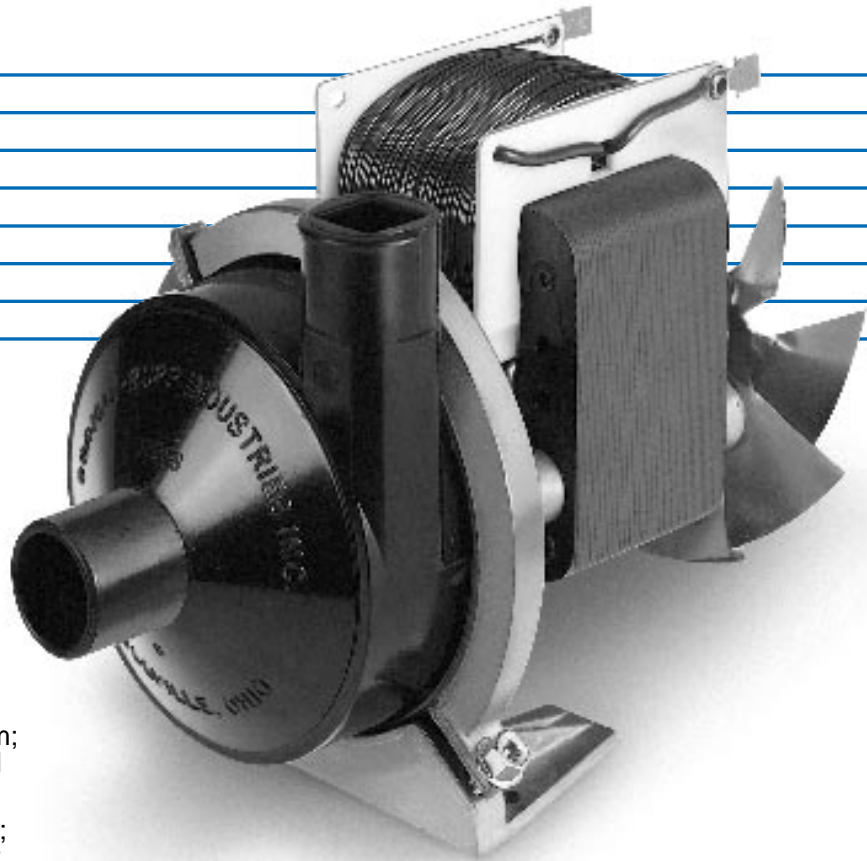


100 Series



Pump Specifications:

Flow Rates — Range to 9 gpm;
maximum head
14 feet

Motors — 115V, 50/60 Hz;
230V, 50/60 Hz
Open, shaded pole,
thermally protected,
ball bearing

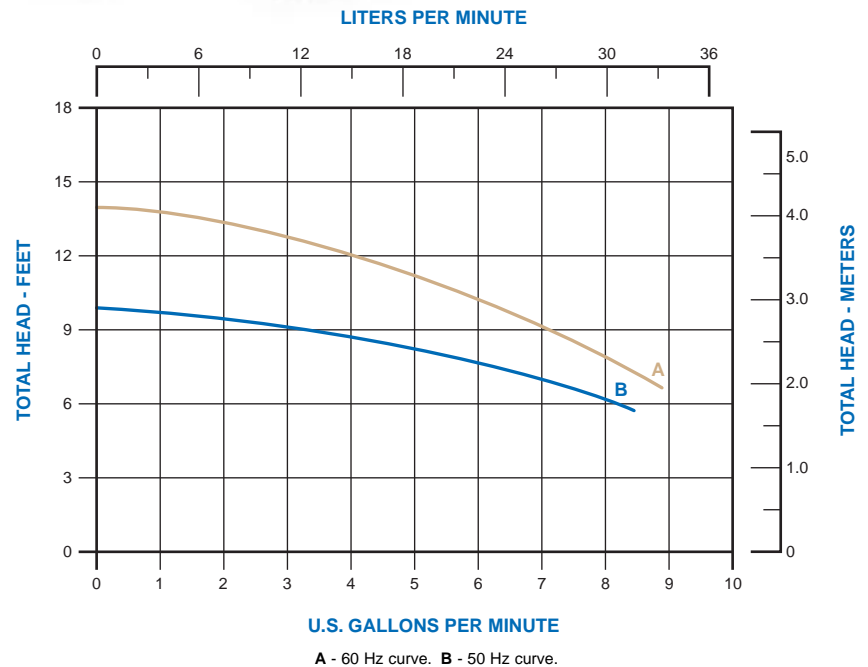
Fluid Temperature — To 220°F (104°C)

Materials in Contact with Solution:

Body — Suction I.D. - ½"
Discharge I.D. - ½"
Phenolic

Impeller — Phenolic

Seal — Carbon and
Ceramic faces
with Nitrile
elastomers

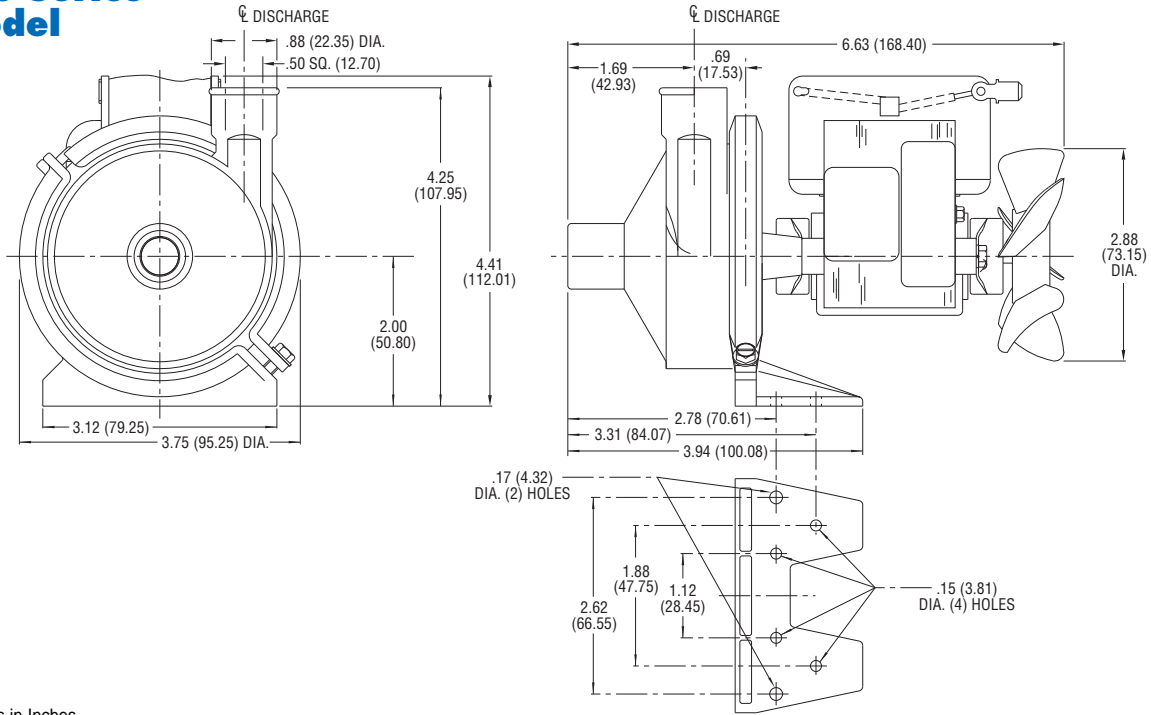


MODEL SPECIFICATIONS

Model Number	Series	Seal	Volts	Hz	Amps	Motor Type	Shell	Typical Curve		Approx. Wt.
								50 Hz	60 Hz	
15332-006	100	Mech	115	50/60	2.4/1.8	SP	Open	B	A	3.6 lbs.
15332-008	100	Mech	230	50/60	1.2/.9	SP	Open	B	A	3.6 lbs.

CENTRIFUGAL PUMPS - TYPICAL DIMENSIONS

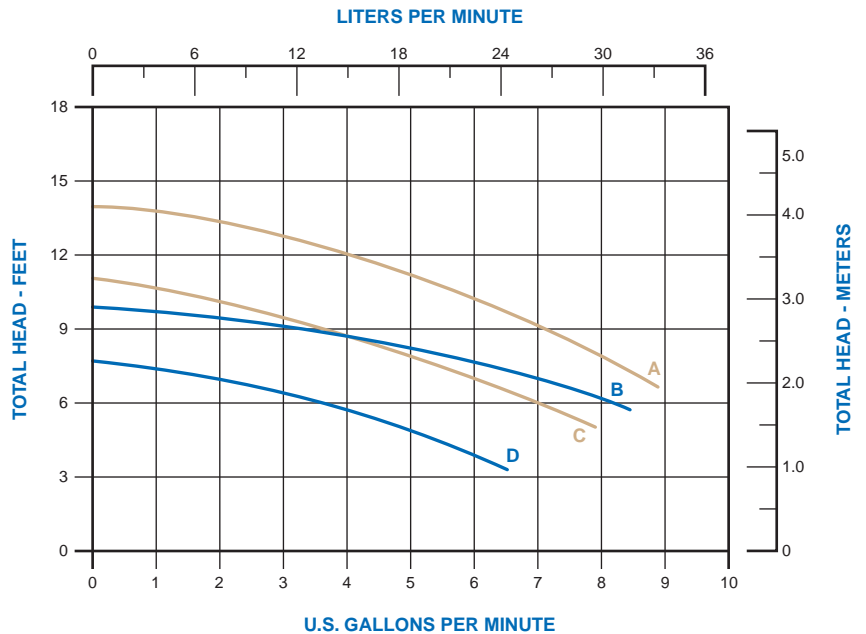
100 Series Model



Dimensions in Inches
(Dimensions in Millimeters)

OEM Options

Impellers — Two different diameter impellers are available to provide greater performance ranges



Curves A and B are with large impeller. A and C - 60 Hz curves. B and D - 50 Hz curves.