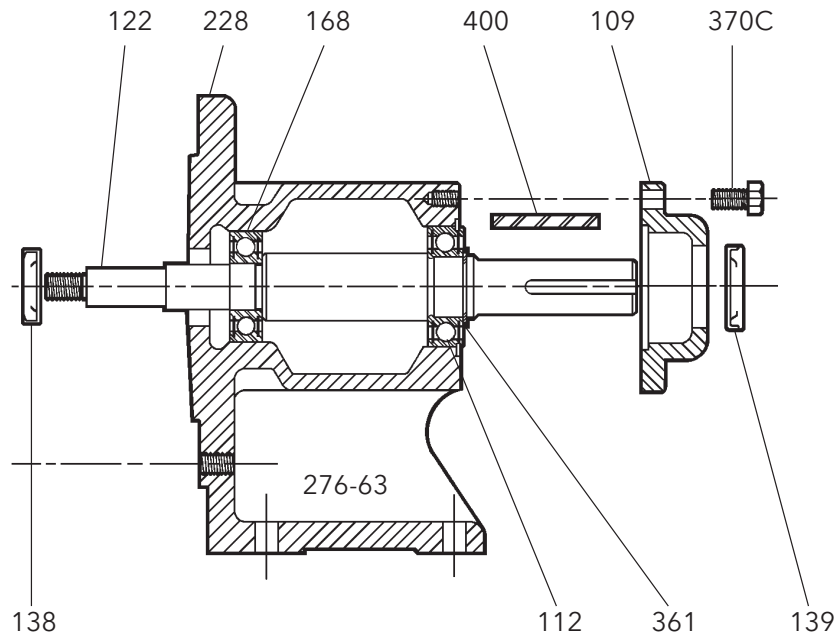


XS-Group Power Frame

REPAIR PARTS

FOR MODELS NPE-F, ICS-F, 3742



ITEM NO.	PART NO.	DESCRIPTION	MATERIAL	PATTERN NO.
109	1K267	Bearing cover	Cast iron	59142
228	1K268	Bearing frame	Cast iron	59279
122	4K377	Shaft - bearing frame	AISI 303 SS	
400	4K11	Shaft key - motor end		
168	4K384	Ball bearing - inboard bearing	Steel	
112	4K385	Ball bearing - outboard bearing		
138	5K172	Lip seal - inboard		
139	5K171	Lip seal - outboard	BUNA-N/steel	
361	5K211	Retaining ring		
370C	13K179	Hex head cap screw - bearing cover	Steel	

For parts pricing and package stock quantities, refer to published parts price list using "K" part no. listed above.

For complete power frame assembly, order part #14L61.

Xylem Inc.

2881 East Bayard Street Ext., Suite A, Seneca Falls, NY 13148

Phone: (800) 453-6777 Fax: (888) 322-5877

www.xylem.com/brands/gouldswatertechnology



Goulds is a registered trademark of Goulds Pumps, Inc. and is used under license.

© 2012 Xylem Inc. RXSPFRAM April 2010