



FEATURES

Impeller: Cast iron, semi-open, non-clog with pump-out vanes for mechanical seal protection. Balanced for smooth operation. Silicon bronze impeller available as an option.

Casing: Cast iron volute type for maximum efficiency. 2" NPT discharge.

Mechanical Seal: Silicon Carbide vs. Silicon Carbide sealing faces. Stainless steel metal parts, BUNA-N elastomers.

Shaft: Corrosion-resistant, stainless steel. Threaded design. Locknut on all models to guard against component damage on accidental reverse rotation.

Fasteners: 300 series stainless steel.

Capable of running dry without damage to components.

Designed for continuous operation when fully submerged.

EXTENDED WARRANTY AVAILABLE FOR RESIDENTIAL APPLICATIONS.

WS Series Model 3885

SUBMERSIBLE EFFLUENT PUMPS

Wastewater

APPLICATIONS

Specifically designed for the following uses:

- Homes, Farms, Trailer Courts, Motels, Schools, Hospitals, Industry, Effluent Systems

SPECIFICATIONS

Pump

- Solids handling capabilities: $\frac{3}{4}$ " maximum.
- Discharge size: 2" NPT.
- Capacities: up to 140 GPM.
- Total heads: up to 128 feet TDH.
- Temperature: 104°F (40°C) continuous, 140°F (60°C) intermittent.
- See order numbers on reverse side for specific HP, voltage, phase and RPM's available.

MOTORS

- Fully submerged in high-grade turbine oil for lubrication and efficient heat transfer.
- Class B insulation on $\frac{1}{3}$ - 1½ HP models.
- Class F insulation on 2 HP models.

Single phase (60 Hz):

- Capacitor start motors for maximum starting torque.
- Built-in overload with automatic reset.

- SJTOW or STOW severe duty oil and water resistant power cords.
- $\frac{1}{3}$ - 1 HP models have NEMA three prong grounding plugs.
- 1½ HP and larger units have bare lead cord ends.

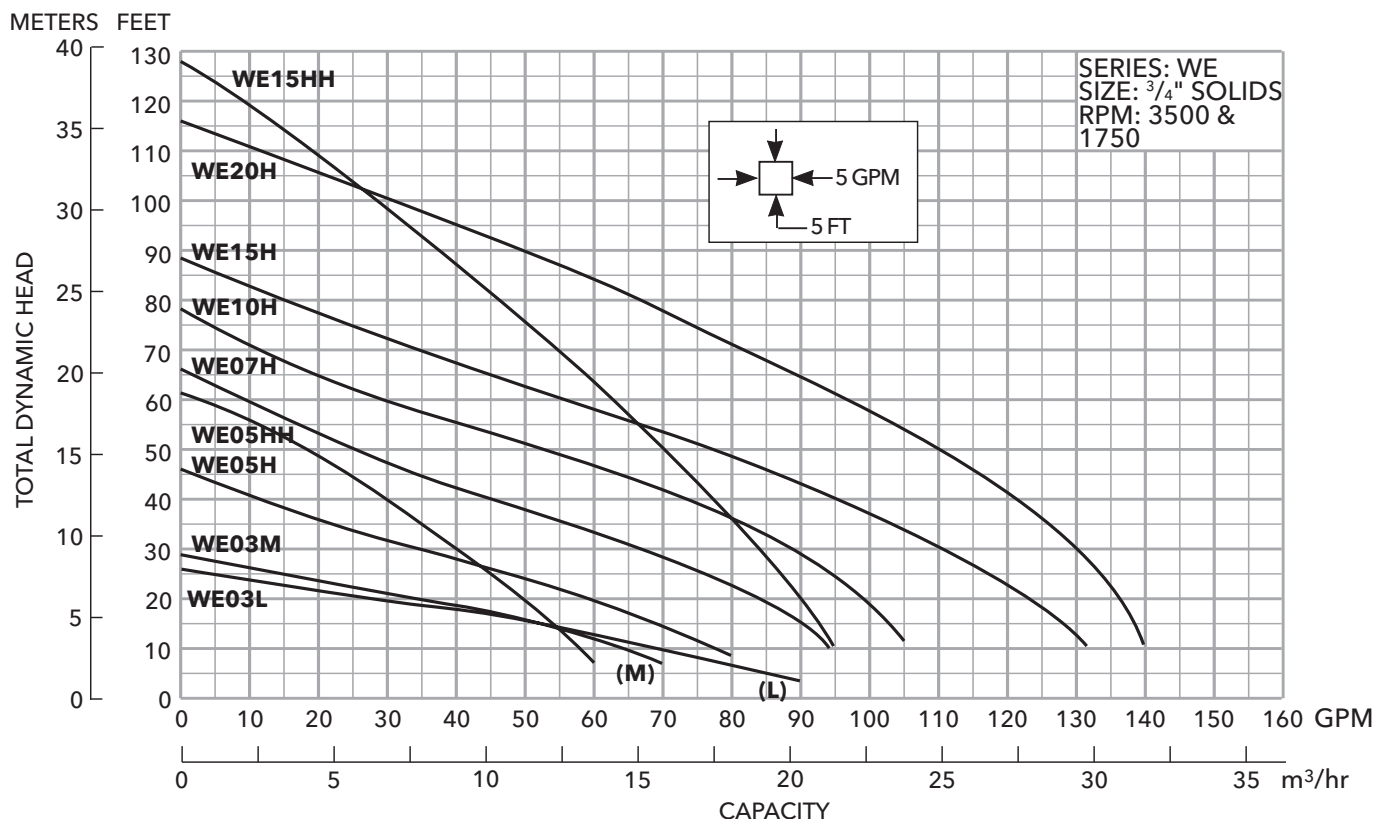
Three phase (60 Hz):

- Class 10 overload protection must be provided in separately ordered starter unit.
- STOW power cords all have bare lead cord ends.
- Designed for Continuous Operation: Pump ratings are within the motor manufacturer's recommended working limits, can be operated continuously without damage when fully submerged.
- Bearings: Upper and lower heavy duty ball bearing construction.
- Power Cable: Severe duty rated, oil and water resistant. Epoxy seal on motor end provides secondary moisture barrier in case of outer jacket damage and to prevent oil wicking. Standard cord is 20'. Optional lengths are available.
- O-ring: Assures positive sealing against contaminants and oil leakage.

AGENCY LISTINGS



Tested to UL 778 and CSA 22.2 108 Standards
By Canadian Standards Association File #LR38549



MODELS

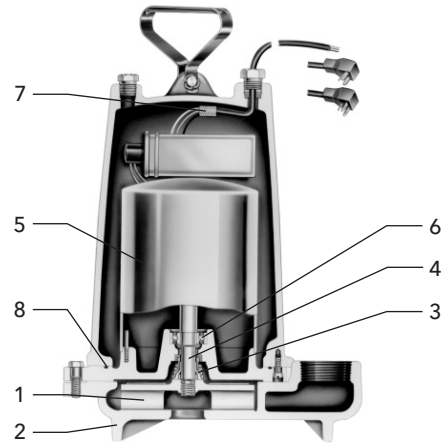
Order Number	HP	Phase	Volts	RPM	Impeller Diameter (in.)	Maximum Amps	Locked Rotor Amps	KVA Code	Full Load Efficiency %	Resistance		Power Cable Size	Weight (lbs.)	
										Start	Line-Line			
WE0311L	0.33	1	115	1750	5.38	10.7	30.0	M	54	11.9	1.7	16/3	56	
WE0318L			208			6.8	19.5	K	51	9.1	4.2			
WE0312L			230			4.9	14.1	L	53	14.5	8.0			
WE0311M			115			10.7	30.0	M	54	11.9	1.7			
WE0318M			208			6.8	19.5	K	51	9.1	4.2			
WE0312M			230			4.9	14.1	L	53	14.5	8.0			
WE0511H	0.5	1	115	3450	3.56	14.5	46.0	M	54	7.5	1.0	14/3	60	
WE0518H			208			8.1	31.0	K	68	9.7	2.4	16/3	60	
WE0512H			230			7.3	34.5	M	53	9.6	4.0	14/3	60	
WE0538H			3			200	4.9	22.6	R	68	NA	3.8	14/4	60
WE0532H						230	3.3	18.8	R	70	NA	5.8		
WE0534H						460	1.7	9.4	R	70	NA	23.2		
WE0537H	575	1.4	7.5	R	62	NA	35.3	14/3	60					
WE0511HH	0.5	1	115	3450	3.88	14.5	46.0	M	54	7.5	1.0	14/3	60	
WE0518HH			208			8.1	31.0	K	68	9.7	2.4	16/3	60	
WE0512HH			230			7.3	34.5	M	53	9.6	4.0	14/3	60	
WE0538HH		3	200			4.9	22.6	R	68	NA	3.8	14/4	60	
WE0532HH			230			3.6	18.8	R	70	NA	5.8			
WE0534HH			460			1.8	9.4	R	70	NA	23.2			
WE0537HH	575	1.5	7.5	R	62	NA	35.3	14/4	60					
WE0718H	0.75	1	208	3450	4.06	11.0	31.0	K	68	9.7	2.4	14/3	70	
WE0712H			230			10.0	27.5	J	65	12.2	2.7	14/3	70	
WE0738H		3	200			6.2	20.6	L	64	NA	5.7	14/4	70	
WE0732H			230			5.4	15.7	K	68	NA	8.6			
WE0734H			460			2.7	7.9	K	68	NA	34.2			
WE0737H			575			2.2	9.9	L	78	NA	26.5			
WE1018H	1	1	208	3450	4.44	14.0	59.0	K	68	9.3	1.1	14/3	70	
WE1012H			230			12.5	36.2	J	69	10.3	2.1	14/3	70	
WE1038H		3	200			8.1	37.6	M	77	NA	2.7	14/4	70	
WE1032H			230			7.0	24.1	L	79	NA	4.1			
WE1034H			460			3.5	12.1	L	79	NA	16.2			
WE1037H			575			2.8	9.9	L	78	NA	26.5			
WE1518H	1.5	1	208	3450	4.56	17.5	59.0	K	68	9.3	1.1	14/3	80	
WE1512H			230			15.7	50.0	H	68	11.3	1.6	14/3	80	
WE1538H		3	200			10.6	40.6	K	79	NA	1.9	14/4	80	
WE1532H			230			9.2	31.7	K	78	NA	2.9			
WE1534H			460			4.6	15.9	K	78	NA	11.4			
WE1537H			575			3.7	13.1	K	75	NA	16.9			
WE1518HH	1.5	1	208	3450	5.50	17.5	59.0	K	68	9.3	1.1	14/3	80	
WE1512HH			230			15.7	50.0	H	68	11.3	1.6	14/3	80	
WE1538HH		3	200			10.6	40.6	K	79	NA	1.9	14/4	80	
WE1532HH			230			9.2	31.7	K	78	NA	2.9			
WE1534HH			460			4.6	15.9	K	78	NA	11.4			
WE1537HH			575			3.7	13.1	K	75	NA	16.9			
WE2012H	2	1	230	3450	5.38	18.0	49.6	F	78	3.2	1.2	14/3	83	
WE2038H			200			12.0	42.4	K	78	NA	1.7	14/3	83	
WE2032H		3	230			11.6	42.4	K	78	NA	1.7	14/4	83	
WE2034H			460			5.8	21.2	K	78	NA	6.6			
WE2037H			575			4.7	16.3	L	78	NA	10.5			

PERFORMANCE RATINGS (gallons per minute)

Order No.	WE-03L	WE-03M	WE-05H	WE-07H	WE-10H	WE-15H	WE-05HH	WE-15HH	WE-20H
HP	1/3	1/3	1/2	3/4	1	1 1/2	1/2	1 1/2	2
RPM	1750	1750	3500	3500	3500	3500	3500	3500	3500
Total Head Feet of Water									
5	86	-	-	-	-	-	-	-	-
10	70	63	78	94	-	-	58	95	-
15	52	52	70	90	103	128	53	93	138
20	27	35	60	83	98	123	49	90	136
25	5	15	48	76	94	117	45	87	133
30	-	-	35	67	88	110	40	83	130
35	-	-	22	57	82	103	35	80	126
40	-	-	-	45	74	95	30	77	121
45	-	-	-	35	64	86	25	74	116
50	-	-	-	25	53	77	-	70	110
55	-	-	-	-	40	67	-	66	103
60	-	-	-	-	30	56	-	63	96
65	-	-	-	-	20	45	-	58	89
70	-	-	-	-	-	35	-	55	81
75	-	-	-	-	-	25	-	51	74
80	-	-	-	-	-	-	-	47	66
90	-	-	-	-	-	-	-	37	49
100	-	-	-	-	-	-	-	28	30

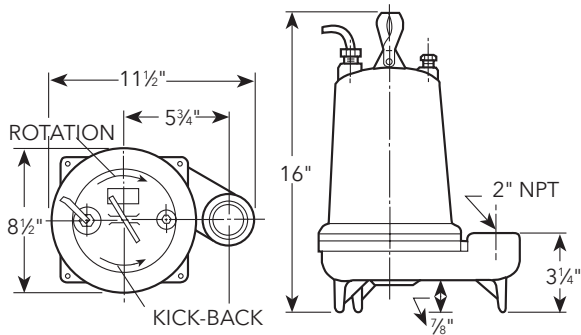
COMPONENTS

Item No.	Description
1	Impeller
2	Casing
3	Mechanical Seal
4	Motor Shaft
5	Motor
6	Ball Bearings
7	Power Cable
8	Casing O-Ring



DIMENSIONS

(All dimensions are in inches. Do not use for construction purposes.)



xylem
Let's Solve Water

Xylem, Inc.
2881 East Bayard Street Ext., Suite A
Seneca Falls, NY 13148
Phone: (866) 325-4210
Fax: (888) 322-5877
www.xylem.com/brands/gouldswatertechology

Goulds is a registered trademark of Goulds Pumps, Inc. and is used under license.
© 2012 Xylem Inc. B3885 R1 April 2012