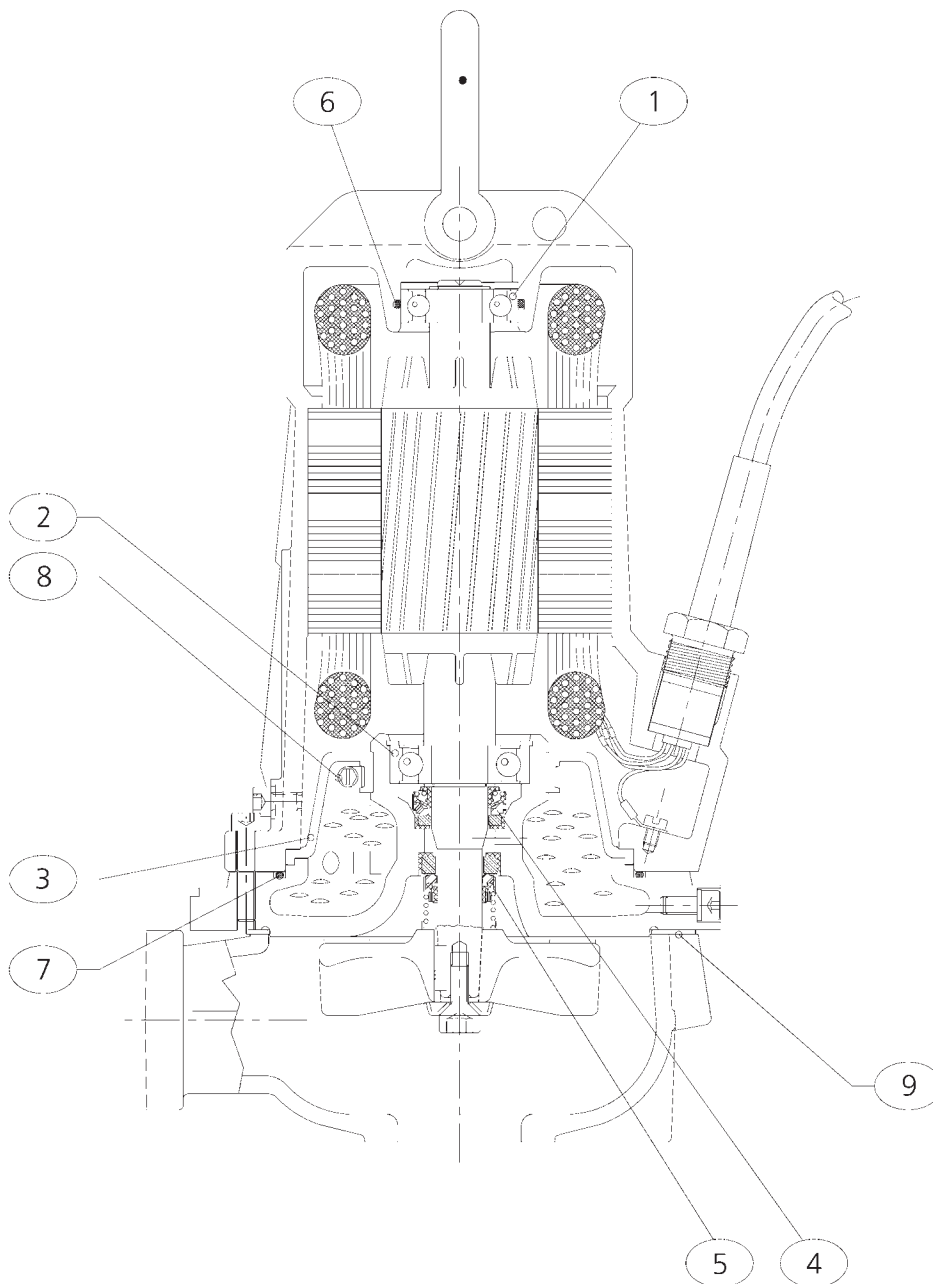


Vortex Series Up to 6.2 HP

SUBMERSIBLE VORTEX SEWAGE PUMPS REPAIR PARTS



Item No.	Quantity	Description	Size	Material
1	1	Ball Bearing - upper	6304 2RS C3	Steel
2	1	Ball Bearing - lower	6305 2RS C3	Steel
3	1	Membrane	-	Nitrile
4	1	Mechanical Seal - upper	Ø 25 mm	Carbon / Ceramic / Nitrile
5	1	Mechanical Seal - lower	Ø 20 mm	Silicon Carbide / Silicon Carbide / Nitrile
6	1	O-Ring	52.4 x 3.53	Viton
7	1	O-Ring	152 x 3.53	Buna N
8	1	Hose Clamp	80-100 mm	Stainless Steel
9	1	Gasket	298 x 256 x 2	Neoprene
			190 x 171 x 2	

AVAILABLE FOR ORDER

Standard Repairs

K No.	Description
5K459	Kit - Mechanical Seals, O-Rings, Gaskets, Bearings Ref. Item Numbers - 1 through 9
9K502	Kit - 14/7 Cable Assembly
9K503	Kit - 12/7 Cable Assembly
10K193	Mechanical Seal - lower (Silicon Carbide / Silicon Carbide / Nitrile)
5K463	Dubo Ring
4K789	Impeller Hardware Kit (Key, Cap, Screw)

Discharge Kits

K No.	Description
1K588	2" NPT - 90° Elbow
1K589	3" 150 lb. ANSI Flange
1K590	4" 150 lb. ANSI Flange

Support Ring Kits

K No.	Description	Use With Pump 279-90
1K591	2.0 - 2.5" Suction	100-214, 300-304, 330-354
1K592	2.88" Suction	310-324
1K593	3.0" Suction	400-424
1K594	4.0" Suction	430-514

* For larger HP parts, call customer service.

Xylem Inc.

2881 East Bayard Street Ext., Suite A, Seneca Falls, NY 13148

Phone: (866) 325-4210 Fax: (888) 322-5877

www.xylem.com/brands/gouldswatertechnology

