
5" and Larger Submersible Pump

INSTALLATION AND OPERATION INSTRUCTIONS

TABLE OF CONTENTS

SUBJECT	PAGE
Safety Instructions	3
1.0 Preparing for Installation.....	4
2.0 Mechanical Installation.....	4
3.0 Electrical Instructions	5
4.0 Operate Pump	7
5.0 Literature and IOM.....	7
6.0 Accessories	7
Single Phase Wiring	8
Three Phase Wiring	9
Technical Data.....	10
Three Phase, 4" Motor - Electrical Data.....	12
Generation II - 3-Wire, Single Phase, 4" Motors - Electrical Data.....	12
6" Single Phase Motors and Required Control Boxes	13
6-10" Three Phase Motors.....	13
6" Single Phase Motors.....	14
6-10" Three Phase Motors.....	14
Three Phase Power Unbalance	15
Troubleshooting	16
Limited Warranty	17

Owner's Information

Pump Model Number: _____

Pump Serial Number: _____

Motor Model Number: _____

Motor Serial Number: _____

Dealer: _____

Dealer Telephone: _____

Purchase Date: _____

Installation Date: _____

Dole® is a Registered Trademark of Eaton Corporation.

Cla-Val™ is a Trademark of Griswold Ind.

SAFETY INSTRUCTIONS

TO AVOID SERIOUS OR FATAL PERSONAL INJURY OR MAJOR PROPERTY DAMAGE, READ AND FOLLOW ALL SAFETY INSTRUCTIONS IN MANUAL AND ON PUMP.

THIS MANUAL IS INTENDED TO ASSIST IN THE INSTALLATION AND OPERATION OF THIS UNIT AND MUST BE KEPT WITH THE PUMP.



This is a SAFETY ALERT SYMBOL. When you see this symbol on the pump or in the manual, look for one of the following signal words and be alert to the potential for personal injury or property damage.



Warns of hazards that **WILL** cause serious personal injury, death or major property damage.



Warns of hazards that **CAN** cause serious personal injury, death or major property damage.



Warns of hazards that **CAN** cause personal injury or property damage.

NOTICE: INDICATES SPECIAL INSTRUCTIONS WHICH ARE VERY IMPORTANT AND MUST BE FOLLOWED. THOROUGHLY REVIEW ALL INSTRUCTIONS AND WARNINGS PRIOR TO PERFORMING ANY WORK ON THIS PUMP. MAINTAIN ALL SAFETY DECALS.

Important notice: Read safety instructions before proceeding with any wiring



All electrical work must be performed by a qualified technician. Always follow the National Electrical Code (NEC), or the Canadian Electrical Code, as well as all local, state and provincial codes. Code questions should be directed to your local electrical inspector. Failure to follow electrical codes and OSHA safety standards may result in personal injury or equipment damage. Failure to follow manufacturer's installation instructions may result in electrical shock, fire hazard, personal injury or death, damaged equipment, provide unsatisfactory performance, and may void manufacturer's warranty.



Standard units are designed to pump potable water from wells and storage tanks. They are not designed for use in swimming pools, open bodies of water, hazardous liquids, or where flammable gases exist. Well must be vented per local codes.

Only pumps specifically Listed for Class 1, Division 1 are allowable in hazardous liquids and where flammable gases may exist. *See specific pump catalog bulletins or pump nameplate for all agency Listings.*



Disconnect and lockout electrical power before installing or servicing any electrical equipment. Many pumps are equipped with automatic thermal overload protection which may allow an overheated pump to restart unexpectedly.



Do not lift, carry or hang pump by the electrical cables. Damage to the Electrical Cables can cause shock, burns or death.



Use only stranded copper wire to pump/motor and ground. The ground wire must be at least as large as the power supply wires. Wires should be color coded for ease of maintenance and troubleshooting.



Install wire and ground according to the National Electrical Code (NEC), or the Canadian Electrical Code, as well as all local, state and provincial codes.



Install an all leg disconnect switch where required by code.



The electrical supply voltage and phase must match all equipment requirements. Incorrect voltage or phase can cause fire, motor and control damage, and voids the warranty.



All three phase (3Ø) controls for submersible pumps must provide Class 10, quick-trip, overload protection.



All splices must be waterproof. If using splice kits follow manufacturer's instructions.



Select the correct type and NEMA grade junction box for the application and location. The junction box must insure dry, safe wiring connections.



Failure to permanently ground the pump, motor and controls before connecting to power can cause shock, burns or death.



Insure proper motor cooling, see Table 3, minimum flow rates chart in Technical Section.



This pump has been evaluated for use with Water Only.



Never over pressurize a storage tank to a pressure higher than the tank's maximum pressure rating. This will damage the tank, voids the warranty and may create a serious hazard.

1.0 PREPARING FOR INSTALLATION

The well should be developed (cleaned) and disinfected before the pump is installed.

Write the pump model number, pump serial number and motor serial number in the space provided in this Installation and Operation Manual (IOM). Leave the completed IOM attached to the tank or control box in a dry area or give it to the owner. Attach your business card.

Verify that motor voltage, control voltage, coil voltage (3 phase starters) and power supply voltage match. Electrical installation must be performed by qualified personnel.

Inspect all components for shipping damage and insure that you have all the components that are required: Pump Water End, Motor, 1Ø Motor Control Box or 3Ø Starter with Overloads, Pressure Tank, Pressure Switch, Copper Wire, Pressure Relief Valve (if required), Torque Arrestor (if required), Pipe and Fittings.

2.0 MECHANICAL ASSEMBLY – Pump and Piping

2.1 Typical Systems

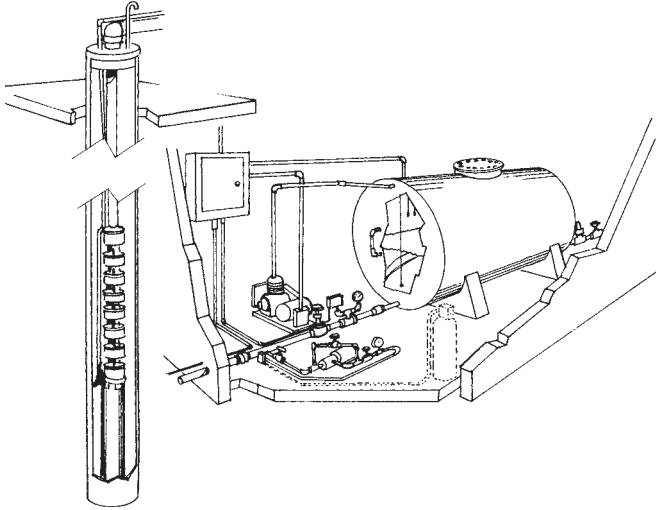


Figure 1

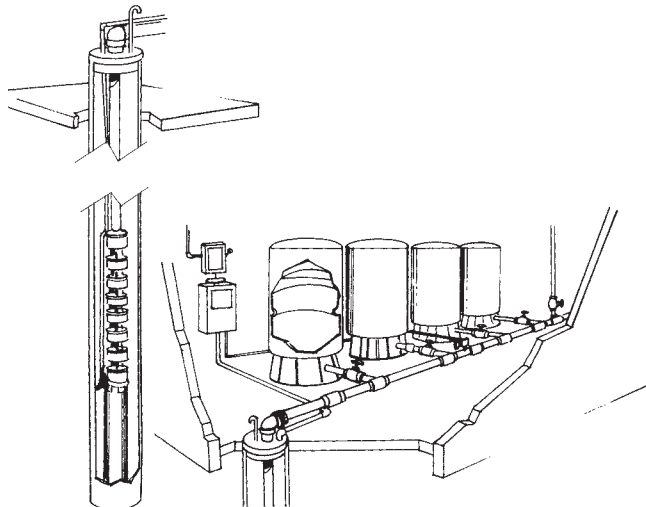
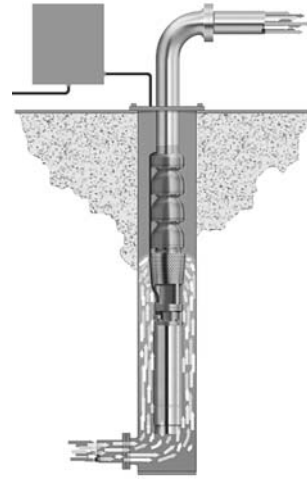
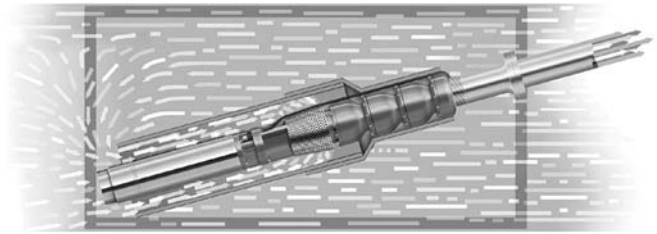


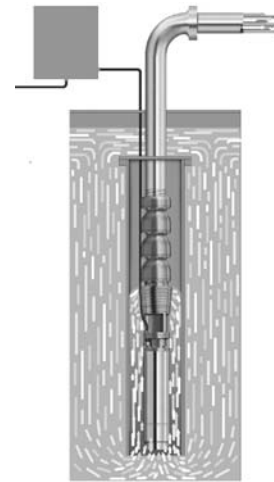
Figure 2



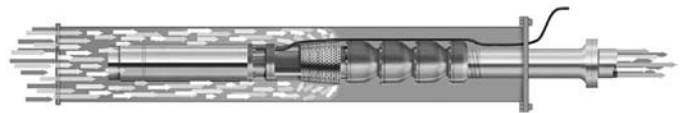
Pump in “Can”
Figure 3



Pump with Flow Sleeve in Tank
Figure 4



Pump with Flow Sleeve in Large Diameter Well
Figure 5



Horizontal Pump in “Can”
Figure 6

2.2 Assemble Pump End to Motor

Under no circumstance should the pump be run dry. Doing so may damage internal parts. We suggest you check the rotation on a three phase motor before assembling it to the water end (pump). All 4" and 6" single phase motors should rotate counterclockwise when viewed from the shaft end. Rotation on three phase motors should match pump specifications. Due to the high-starting torque the motor should be secured in such a way as not to damage the motor but to hold the motor from spinning.

Remove the cable guard from the pump (water end). Install the motor shaft sand slinger if included with the water end in the motor mounting hardware package. Attach the water end to the motor. Align the wires in the cable guard and reinstall it to the water end.

2.3 Install Check Valve(s)

Discharge heads are threaded with NPT pipe threads. All models, without built-in check valves, require a spring loaded check valve within 25' (7.5m) of the pump discharge and below the drawdown level of the water supply. Motor manufacturers recommend additional check valves every 200' to 250' (70m) in the vertical discharge line. Check valves are used to hold pressure in the system and to prevent backspin, water hammer and upthrust.

Backspin is allowing water to flow back through the pump to drain the system. It causes the impellers and motor rotor to rotate in a reverse direction. This can cause premature thrust bearing wear and if the motor starts during backspin the shaft can be twisted or broken.

Water Hammer occurs when the lowest check valve is more than 30' above the standing water level or the lower check valve leaks and the check valve above holds. This creates a partial vacuum (void) in the discharge piping. On the next start, water moving at a very high velocity fills the void and strikes the closed check valve and the stationary water in the pipe above it, causing a hydraulic shock. This shock (water hammer) can split pipes, break joints, and damage the pump and motor. Water hammer is an easily detected noise. When discovered the pump should be immediately shut down and the installer contacted to resolve the problem.

Upthrust is an upward movement of the impellers and motor shaft. It is caused by starting the pump at zero head due to no check valve or a leaking check valve; or very low system head due to a high static water level. Repeated upthrust can cause premature failure of either or both the pump and the motor. *See 4.2*

2.4 Installing Pump in Well

If you are using a torque arrestor, install it per the manufacturer's installation instructions. On top feeding wells or large diameter wells where water velocity will not cool the motor properly install a flow sleeve over the pump. *See Table 3 – Required Cooling Flow.*

Connect the discharge pipe to the pump discharge head. Submersible pumps are capable of very high discharge pressures, consult with your pipe supplier to determine the best pipe material and schedule for each installation.

Lower the pump into the well. Set the pump at least 10' off the bottom but above the screens. Protect the wires from chafing on the well casing. Install a pitless adapter or similar device at the wellhead. Consult the fitting manufacturer or pitless supplier for specific installation instructions.

Using waterproof electrical tape, or wire ties, fasten the wires to the drop pipe at 10' intervals. Make sure that the tape does not loosen as it will block the pump suction if it falls down the well.

2.5 Pressure Relief Valve

Pressure relief valves are mandatory (required) on any system that is capable of producing over 100 psi or 230' TDH. In an area where a water leak or blow-off may damage property connect a drain line to the pressure relief valve. Run it to a suitable drain or an area where the water will not damage property.

2.6 Pressure Tank and Pressure Switch (when used)

The pressure switch should be located at the tank cross tee on a single tank and as close to the center as possible on multiple tank installations. Multiple tank installations should have a manifold pipe 1½ to 2 times the size of the supply pipe from the pump. This is to reduce the friction head loss or pressure differential in the manifold. Excessive losses could cause switch chatter. There should be no filters, or high loss fittings between the switch and the tank(s). Wide open gate valves are allowed between the tank and switch.

2.7 Adjusting Tank Pre-Charge (when used)

Insure that the tank is empty of water. Use a high quality pressure gauge to check the tank pre-charge pressure. The pressure should be 2 psi below the pump cut-in (turn on) pressure. As an example, a 30-50 psi system would use a tank pre-charge of 28 psi.

Select an area where the temperature is above 34° F in which to install the tank, pressure switch, and pressure relief valve. The tank should be located in an area where a leak will not damage property.

3.0 ELECTRICAL INSTRUCTIONS

3.1 General

Note: Do not power the unit or run the pump until all electrical and plumbing connections are completed and the pump is filled with water.

Always follow the National Electric Code (N.E.C.) in the U.S., or the Canadian Electrical Code in Canada, as well as all state, provincial, or local codes.

All electrical work must be performed by qualified personnel. Some local laws require installation by only "licensed installers".

We suggest using only copper wire. Size wire from the charts found in our ITT MAID, Motor Application & Installation Manual, or an N.E.C. (National Electric Code) manual. If discrepancies exist the N.E.C. in the U.S., and in Canada the Canadian Electrical Code prevails.

3.2 Splice Drop Cable to Motor Leads

When the drop cable must be spliced or connected to the motor leads it is necessary that the splice be watertight. The splice can be done with heat shrink kits, compression fittings, or waterproof tape. Match motor leads and drop cable by color codes or identify drop cable wires to insure a proper connection at the control box.

A. Heat Shrink Splice Instructions

To use a typical heat shrink kit: strip ½" from the motor wires and drop cable wires, it is best to stagger the splices. Place the heat shrink tubes on the wires. Place the crimps on the wires and crimp the ends. Slide the heat shrink tubes over the crimps and heat from the center outward. The sealant and adhesive will ooze out the ends when the tube shrinks. The tube, crimps, sealant, and adhesive create a very strong, watertight seal. Overheating may burn the heat shrink tubes.

B. Taped Splice Instructions

- 1) Strip individual conductor of insulation only as far as necessary to provide room for a stake type connector. Tubular connectors of the staked type are preferred. If connector O.D. is not as large as cable insulation, build-up with rubber electrical tape.
- 2) Tape individual joints with rubber electrical tape, using two layers; the first extending two inches beyond each end of the conductor insulation end, the second layer two inches beyond the ends of the first layer. Wrap tightly, eliminating air spaces as much as possible.
- 3) Tape over the rubber electrical tape with #33 Scotch electrical tape, or equivalent, using two layers as in step "B" and making each layer overlap the end of the preceding layer by at least two inches.

C. Compression Splice Kits

Consult instructions supplied with compression splice kits or consult your local supplier.

3.3 Mounting the Motor Control Box

Single phase 3-wire control boxes are suitable for vertical mounting in indoor or outdoor locations. They will operate at temperatures between 14°F (-10° C) and 122° F (50° C). Select a shaded, dry place to mount the box. Insure that there is enough clearance for the cover to be removed.

3.4 Verify Voltage

Insure that motor nameplate voltage and power supply voltage are the same. Three-phase starter coils are very voltage sensitive, always verify actual supply voltage with a voltmeter. High or low voltage will damage motors and controls and is not covered under warranty.

3.5 Turn Supply Power Off

Use a disconnect switch where required by code. Turn the circuit breaker OFF and lock-out the disconnect switch in the OFF position to prevent accidentally starting the pump before you are ready.

3.6 Make Connection to Single Phase (1Ø) Control Box or Three Phase (3Ø) Starter

DANGER

Do not power the unit or run the pump until all electrical and plumbing connections are completed. Exception – to verify 3 phase motor rotation, it is acceptable to power the motor before it is attached to the water end to verify correct rotation. After checking rotation lock-out disconnect or circuit breaker in OFF position!

Verify that the disconnect or breaker is OFF before making any connections to the power supply. Always follow the National Electric Code (N.E.C.) in the U.S., or the Canadian Electrical Code in Canada, as well as all state, provincial, or local codes.

A. Single Phase (1Ø) Three-Wire Control Box Wiring

CAUTION

Connect the color coded motor leads to the motor control box terminals – Y (yellow), R (red), and B (black); and the Green or bare wire to the green ground screw.

Connect wires between the Load terminals on the pressure switch and control box terminals L1 and L2. Run a ground wire between the switch ground and the control box ground. *See Fig. 7 or 8*

B. Three Phase (3Ø) Starter Wiring

CAUTION

Connect the motor leads to T1, T2, and T3 on the 3 phase starter. Connect the ground wire to the ground screw in the starter box. Follow starter manufacturers instructions for connecting pressure switch (where used) to starter. *See Fig. 9 or 10*

3.7 Make Power Supply Connection

CAUTION

Provide a separate fused or circuit breaker protected branch circuit for the pump. Install a main disconnect switch in full view and easily accessible from the pressure switch and tank location.

Single phase:

With pressure switch – make the connection from the pressure switch Line terminals to the disconnect switch (where used) and then to the circuit breaker panel.

Without pressure switch – make the connection from the control box L1 and L2 terminals to the disconnect switch (where used) and then to the circuit breaker panel.

Three phase - make the connections between L1, L2, L3, and ground on the starter to the disconnect switch and then to the circuit breaker panel.

Three phase submersible motors require Class 10 Quick-Trip overload protection. Use Furnas Class 14 NEMA starters with ESP100 adjustable Class 10 overloads. You can also use Furnas Class 16 starters with ambient compensated “K” heaters (overloads) which you install in the starter. “K” heaters must be purchased separately. Consult the ITT MAID or F.E. AIM manual for other acceptable overload protection devices.

Note: when replacing a line shaft turbine or other above ground pump with a submersible you must change the Class 20 overloads in the starter to Class 10 quick-trip’s for proper motor overload protection. Use of Class 20 overloads voids the submersible motor warranty.

Three phase installations must be checked for motor rotation and phase unbalance. To reverse motor rotation switch (reverse) any two power leads. See the instructions for checking three phase unbalance in the Technical Section of this manual. Failure to check and correct three phase unbalance can cause premature motor failure and nuisance overload tripping.

4.0 OPERATE PUMP

4.1 Throttling Discharge on Start-Up

If the pump will be started or operated with an “open” discharge you must throttle the discharge before start-up. Install a ball, globe, or Cla-valve® in the discharge line. Open the valve to approximately 1/3 open on system start-up. This will prevent upthrust damage to the pump and motor bearings. You can open the valve when you get a good steady stream of water. Do not exceed the maximum operating range in gpm shown on the pump curve. If you do not know the maximum gpm for the pump, call the distributor who sold you the pump. Starting or running a pump with little or no head is a major cause of premature failure.

4.2 Throttling a High Static Level Well to Prevent Upthrust

A high static water level well may allow a pump to operate off the right side of the curve or outside the “Recommended Range” shown on the pump curve. We recommend using a “Dole®” flow restrictor or throttling the discharge with a ball valve to prevent upthrust damage to the pump and motor. The maximum flow must be within the pumps recommended operating range. If you use a ball valve, set it and remove the handle, tape the handle to the pipe. Tag the valve with a note saying, “Do not open this valve or pump may be damaged”. You can set the valve by installing a pressure gauge between the well and the valve and throttling the flow/head to a value within the recommended range. You can also throttle by determining the actual flow rate, see “Determining Flow Rates” in your catalog Technical Section.

4.3 Start the Pump

Partially open a valve (boiler drain or faucet) in the system and turn the breaker to the ON position. Allow the pump to run until the water is clear. On three phase systems verify rotation, correct rotation will yield the highest flow and pressure.

Check amps and insure they are within nameplate amp range from motor data sheet or motor nameplate. Amps should be between Rated Input and Service Factor Amps. High amps may be caused by low or high voltage. Enter the amp readings in this manual along with the pump and motor model numbers and serial numbers. On all three phase systems a three phase unbalance test must be performed to insure a balanced power supply. Leave a copy of the 3Ø unbalance worksheet with this IOM at the job site for future reference.

On pressure tank/switch systems only – close the valve when the water clears and allow the pressure to build. If properly adjusted the switch should turn the pump off at the preset pressure. Open a few outlets and allow the pump to run through a few cycles. Check switch operation and verify that pressure settings are correct. Check all fittings for leaks.

On manual systems, turn the pump off.

5.0 PAPERWORK AND IOM

Please give this IOM and your business card to the owner. A sticker with your name and phone number on the tank or control box is a great sales tool for future business!

Congratulations on completing a professional installation of a submersible pump.

6.0 ACCESSORIES

Pressure Tanks

Tanks should be sized to allow pumps over two (2) hp to run at least 2 minutes. If the pump averages 80 GPM it requires tanks to provide a 160 gallon “drawdown”. See your Water Products catalog for pressure tank data.

Low Water Protection

A low yield well should have low water protection added to the system. Contact your distributor for information on SymCom low water protection devices.

Electrical Panels

Customer Service will quote custom pump control panels. Please send written panel specifications to your authorized distributor. They will forward it to the Customer Service Group that supports their product line. Written specifications should include pump HP, Voltage, Phase, desired NEMA enclosure type, sequence of operation, special options needed, and a brief statement describing any special logic for alarms, timers, or duplexing features. The name and number of a contact person to answer questions is also appreciated and will speed your quote.

Single Phase Wiring — Cableado monofásico — Montage monophasé

Incoming Supply from Fuse Box or Circuit Breaker (1)

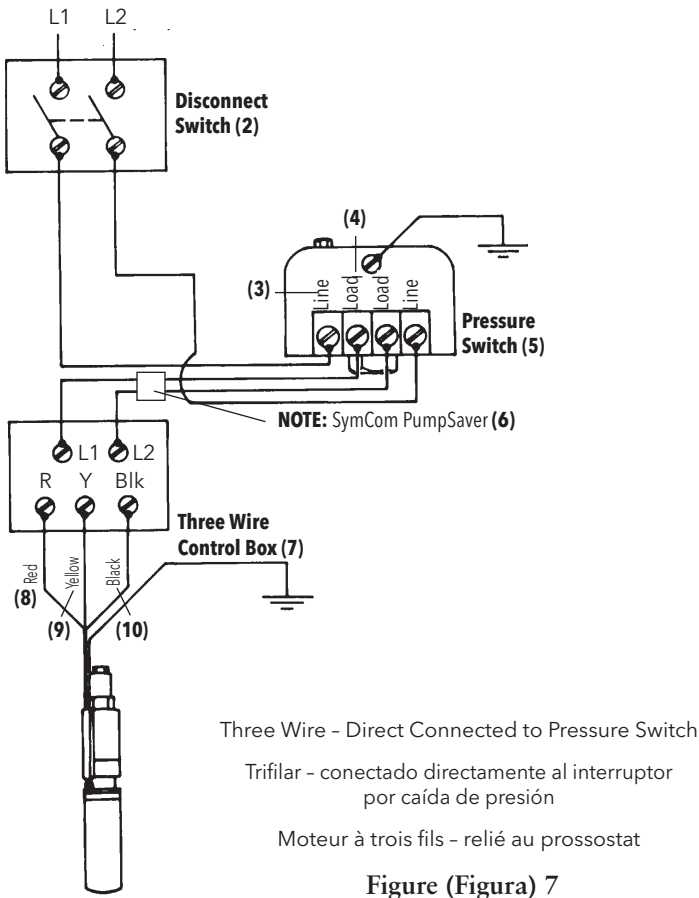


Figure (Figura) 7

1. Suministro de entrada de la caja de fusibles o del cortacircuitos
2. Interruptor de desconexión
3. Línea
4. Carga
5. Interruptor por caída de presión
6. NOTA: PumpSaver
7. Caja de control trifilar
8. Rojo
9. Amarillo
10. Negro
11. Contactador magnético

Incoming Supply from Fuse Box or Circuit Breaker (1)

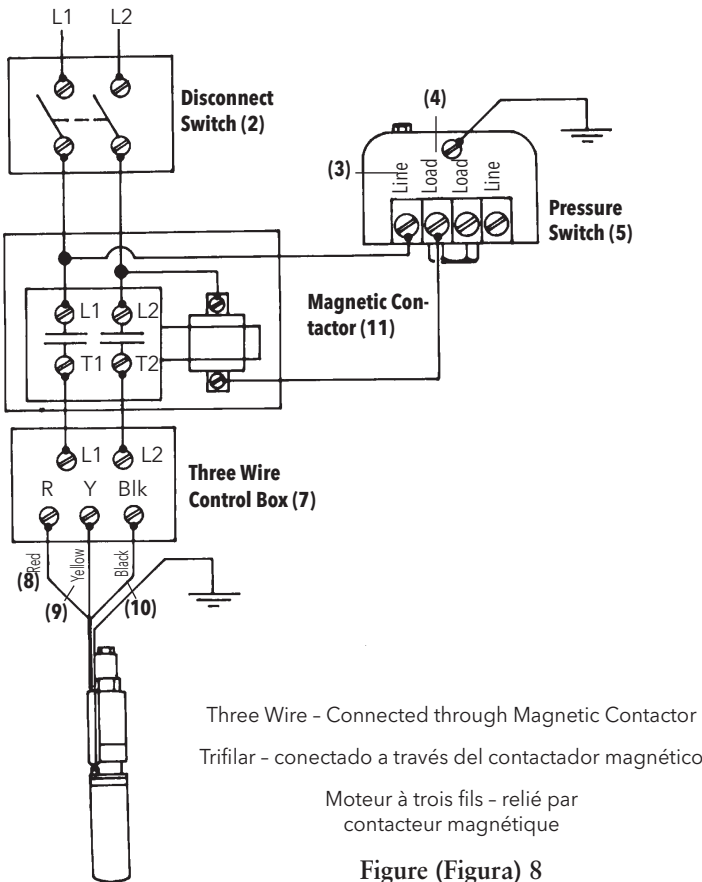
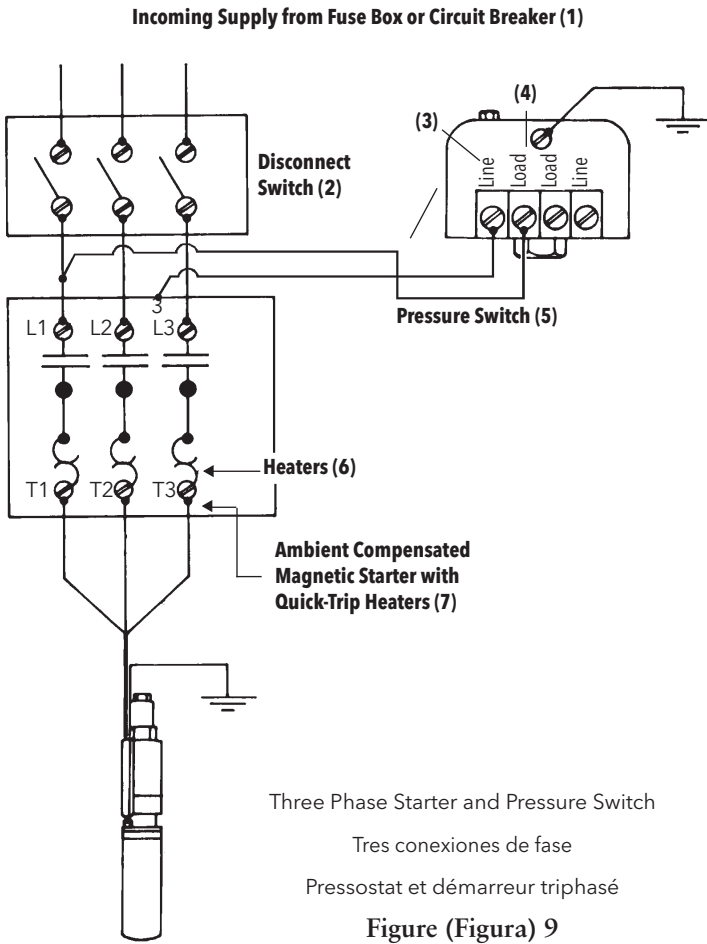


Figure (Figura) 8

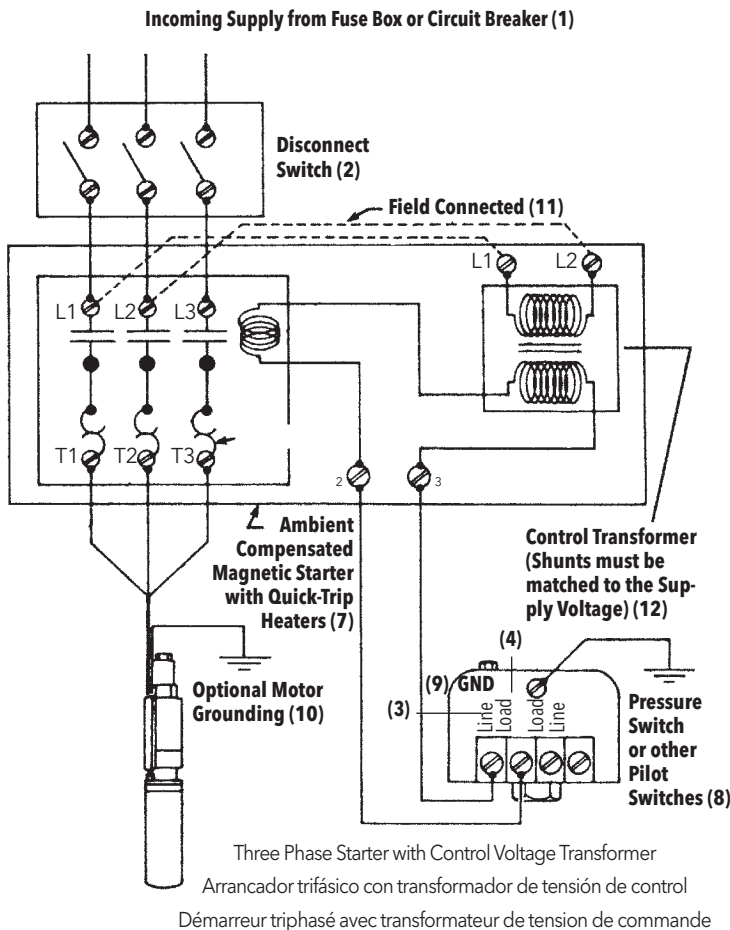
1. Courant d'entrée provenant de la boîte à fusibles ou du disjoncteur
2. Sectionneur
3. Ligne
4. Charge
5. Pressostat
6. Protection PumpSaver
7. Boîte de commande à trois fils
8. Rouge
9. Jaune
10. Noir
11. Contacteur magnétique

Three Phase Wiring — Cableado trifásico — Montage triphasé



1. Suministro de entrada de la caja de fusibles o del cortacircuitos
2. Interruptor de desconexión
3. Línea
4. Carga
5. Interruptor por caída de presión
6. Calentadores
7. Arrancador magnético con compensación ambiental con calentadores de disparo rápido
8. Interruptor por caída de presión u otros interruptores pilotos
9. Tierra
10. Puesta a tierra opcional del motor
11. Conexión de campo
12. Transformador de control (Las derivaciones deben coincidir con la tensión de suministro)

1. Courant d'entrée provenant de la boîte à fusibles ou du disjoncteur
2. Sectionneur
3. Ligne
4. Charge
5. Pressostat



6. Dispositifs de protection contre la surcharge (DPS)
7. Démarreur magnétique compensé (température ambiante) avec DPS à déclenchement rapide
8. Pressostat ou autre contacteur de commande
9. Terre
10. Mise à la terre optionnelle pour le moteur
11. Connexion sur place
12. Transformateur de commande (les circuits dérivés [shunts] doivent convenir à la tension d'alimentation)

Technical Data

MOTOR INSULATION RESISTANCE READINGS

Normal Ohm/Megohm readings, ALL motors, between all leads and ground

▲ CAUTION To perform insulation resistance test, open breaker and disconnect all leads from QD control box or pressure switch. Connect one ohmmeter lead to any motor lead and one to metal drop pipe or a good ground. **R x 100K Scale**

Condition of Motor and Leads	OHM Value	Megohm Value
New motor, without power cable	20,000,000 (or more)	20.0
Used motor, which can be reinstalled in well	10,000,000 (or more)	10.0
Motor in well – Readings are power cable plus motor		
New motor	2,000,000 (or more)	2.0
Motor in reasonably good condition	500,000 to 2,000,000	0.5 – 2.0
Motor which may be damaged or have damaged power cable <i>Do not pull motor for these reasons</i>	20,000 to 500,000	0.02 – 0.5
Motor definitely damaged or with damaged power cable <i>Pull motor and repair</i>	10,000 to 20,000	0.01 – 0.02
Failed motor or power cable <i>Pull motor and repair</i>	Less than 10,000	0 – 0.01

Generator Sizing

Note: Always consult the generator manufacturer when questions arise.

These sizing charts are recommendations based on motor service factor loading for typical continuous duty generators. If you need to call the generator manufacturer, be prepared to tell them the motor KVA code, the service factor amperage, locked rotor amperage, phase, hertz, motor type, etc.

You must know which type generator you have before using the charts as the required generator size varies by type. Internally regulated generators are also called self-excited. Externally regulated generators are the most common. In addition to the Kw/KVA rating, the generator frequency (Hertz, typically

60 HZ in USA) is very important when operating pumping equipment because frequency variations affect pump output in direct relation to the pump Affinity Laws. Operating under 60 hertz will reduce flow and head while operating over 60 hertz will increase flow, head, HP and amp draw and could overload the motor.

The generator should always be started before the pump/motor is started and always stop the pump/motor before shutting down the generator. Operating generators at higher elevations or using natural gas as fuel can affect performance, consult the generator manufacturer for their recommendations in these instances.

Generator Recommendations

Motor	HP	Externally Regulated		Internally Regulated	
		KW	KVA	KW	KVA
		Minimum Generator Rating			
3-Wire 1Ø and 3Ø Motors	.5	2	2.5	1.5	1.9
	.75	3	3.8	2	2.5
	1	4	5	2.5	3.2
	1.5	5	6.3	3	3.8
	2	7.5	9.4	4	5
	3	10	12.5	5	6.3
	5	15	18.8	7.5	9.4
	7.5	20	25	10	12.5
	10	30	37.5	15	18.8
	15	40	50	20	25
	20	60	75	25	31
	25	75	94	30	37.5
	30	100	125	40	50
	40	100	125	50	62.5
	50	150	188	60	75
	60	175	220	75	94
	75	250	313	100	125
	100	300	375	150	188
125	375	469	175	219	
150	450	563	200	250	
175	525	656	250	313	
200	600	750	275	344	

Transformer Capacity Required for Submersible Motors – Single or Three Phase

Distribution transformers must be adequately sized to satisfy the KVA requirements of the submersible motor. When transformers are too small to supply the load, there is a reduction in voltage to the motor.

Table 1 references the motor horsepower rating, single phase and three phase, total effective KVA required, and the smallest transformer required for open or closed three phase systems. Open systems require larger transformers since only two transformers are used.

Other loads would add directly to the KVA sizing requirements of the transformer bank.

Table 1 - Transformer Capacity

Motor HP	Total Effective KVA Required	Smallest KVA Rating - Each Transformers	
		Open WYE or DELTA 2 Transformers	Closed WYE or DELTA 3 Transformers
1½	3	2	1
2	4	2	1.5
3	5	3	2
5	7.5	5	3
7½	10	7.5	5
10	15	10	5
15	20	15	7.5
20	25	15	10
25	30	20	10
30	40	25	15
40	50	30	20
50	60	35	20
60	75	40	25
75	90	50	30
100	120	65	40
125	150	85	50
150	175	100	60
175	200	115	70
200	230	130	75

NOTE: Transformers shown are standard nominal KVA ratings. If power company experience and practice allows transformer loading higher than nominal rating under the specific operating conditions and maintains correct voltage and balance, such higher loading values may be used for transformer(s) to meet total effective KVA required.

Mounting Position

Motors are suitable for operation in mounting positions from vertical shaft up to horizontal. If 4 inch motors through 2 HP are started more than 10 times per day, it is recommended the shaft be tilted up at 15° from horizontal to minimize coast-down wear of the upthrust washer.

Frequency of Starts

The average number of starts per day over a period of months or years influences the life of a submersible pumping system. Excessive cycling affects the life of control components such as pressure switches, starters, relays and capacitors, plus splines and bearings. Rapid cycling can also cause motor overheating and winding failures.

The pump size, tank size and other controls should be selected to keep the starts per day as low as practical for longest life, based upon the maximum number of starts per 24 hour day, as shown in Table 2.

Motors over 2 HP should be allowed to run a minimum of 2 minutes to dissipate heat build up from starting current.

Table 2 - Number of Starts

Motor Rating	Maximum Starts per 24 hour day	
	Single Phase	Three Phase
½ HP through 5 HP	100	300
7½ HP through 30 HP	50	100
40 HP and over	-	100

Motor Cooling, Temperature and Time Ratings

All 4 inch CentriPro motors may be operated continuously in water up to 86° F. Optimum service life will be attained by maintaining a minimum flow rate past the motor of .25 feet per second. Use a Flow Sleeve if velocity is below the .25'/sec, if the well is top feeding or when the pump is used in a large body of water or large tank.

Six (6) inch canned design motors from 5 – 40 HP will operate in water up to 95° F (35° C), without any de-rating of horsepower, with a minimum flow rate of .5 ft./sec. past the motor. 6" – 50 HP and all 8" – 10" motors can operate in 77° F (25° C) water with .5'/sec velocity past the motor.

Table 3 - Minimum Flow Rates For Proper Motor Cooling

Well or Sleeve Diameter (inches)	3.75" Diameter 4" CP or FE Motor .25'/sec	CP = 5.5" Dia. 6" CP Motor .5'/sec.	CP = 7.52" Dia. 8" CP Motor .5'/sec.
	GPM Required		
4	1.2	-	-
5	7	-	-
6	13	7	-
7	20	23	-
8	30	41	9
10	50	85	53
12	80	139	107
14	110	198	170
16	150	276	313

Multiply gpm by .2271 for m³/Hr.

Multiply gpm by 3.785 for l/min.

Three Phase, 4" Motor - Electrical Data, 60 Hertz, 3450 RPM

CentriPro #	HP	kW	Volts	SF	Full Load		Service Factor		Locked Rotor Amps	Line - Line Resistance
					Amps	Watts	Amps	Watts		
M30430	3	2.2	200	1.15	10.9	2890	12.0	3290	71	0.9-1.3
M50430	5	3.7		1.15	18.3	4850	20.2	5515	113	0.4-0.8
M75430	7.5	5.5		1.15	27.0	7600	30.0	8800	165	0.5-0.6
M30432	3	2.2	230	1.15	9.2	2880	10.1	3280	58.9	1.3-1.7
M50432	5	3.7		1.15	15.7	4925	17.5	5650	93	.85-1.25
M75432	7.5	5.5		1.15	24	7480	26.4	8570	140	.55-.85
M30434	3	2.2	460	1.15	4.8	2920	5.3	3320	30	5.9-6.5
M50434	5	3.7		1.15	7.6	4810	8.5	5530	48	3.58-4.00
M75434	7.5	5.5		1.15	12.2	7400	13.5	8560	87	1.9-2.3
M100434	10	7.5		1.15	15.6	9600	17.2	11000	110	1.8-2.2
M30437	3	2.2	575	1.15	3.7	2850	4.1	3240	21.1	9.4-9.7
M50437	5	3.7		1.15	7.0	5080	7.6	5750	55	3.6-4.2
M75437	7.5	5.5		1.15	9.1	7260	10.0	8310	55	3.6-4.2

Generation II - 3-Wire, Single Phase 4" Motors - Electrical data, 60 Hertz, 3450 RPM

Type	Order No.	HP	kW	Volts	SF	Full Load		Service Factor		Locked Rotor Amps	Winding Resistance		Required Control Box ¹
						Amps	Watts	Amps	Watts		Main (B-Y)	Start (R-Y)	
3-Wire with CSCR (CR) or Magnetic Contactor (MC) Control Box	M30412	3	2.2	230	1.15	Y - 14.3 B - 12.0 R - 5.7	3170	Y - 16.5 B - 13.9 R - 5.6	3620	76	1.1 - 1.4	2.0 - 2.5	CB30412CR or CB30412MC
	M50412	5	3.7			Y - 24.0 B - 19.1 R - 10.2	5300	Y - 27.0 B - 22.0 R - 10.0	6030	101	.62 - .76	1.36 - 1.66	CB50412CR or CB50412MC

¹ A CSCR control box with a CR suffix can be replaced by a Magnetic Contactor model ending in MC.

6" SINGLE PHASE MOTORS AND REQUIRED CONTROL BOXES

Motor Order No.	HP	kW	Volts	Phase	Motor Dia. vs Flange Dia.	S.F.	Rated Input		Service Factor		L.R. Amps	Control Box Order No.®
							Amps	Watts	Amps	Watts		
6M051	5	3.7	230	1	6" x 6"	1.15	24	4987	27.5	5735	124	CB05MC (3R)
6M071	7.5	5.5					36	7675	41	8950	167	CB07MC (3R)
6M101	10	7.5					50	10135	58	11830	202	CB10MC (3R)
6M151	15	11					72	15180	85	18050	275	CB15MC (3R)

① NEMA 3R control boxes will be replacing the current models.

6-10" THREE PHASE MOTORS

Motor Order No.	HP	kW	Volts	Phase	Motor Dia. vs Flange Dia.	S.F.	Rated Input		Service Factor		L.R. Amps		
							Amps	Watts	Amps	Watts			
6M058	5	3.7	200	3	6" x 6"	1.15	17.5	4910	19.5	5610	124		
6M052	5	3.7	230				15.0	4857	17.0	5520	110		
6M054	5	3.7	460				7.5	4857	8.5	5520	55		
6M078	7.5	5.5	200				25.4	7180	28.5	8230	158		
6M072	7.5	5.5	230				22.0	7127	26.0	8140	144		
6M074	7.5	5.5	460				11.0	7127	13.0	8140	72		
6M108	10	7.5	200				33.3	9360	37.2	10700	236		
6M102	10	7.5	230				29.0	9407	33.0	10730	208		
6M104	10	7.5	460				14.5	9407	16.5	10730	104		
6M158	15	11	200				47.4	13700	53.5	15710	347		
6M152	15	11	230			42.0	13700	46.0	15800	320			
6M154	15	11	460			21.0	13700	23.0	15800	160			
6M208	20	15	200			61.2	18040	69.5	20820	431			
6M202	20	15	230			54.0	17930	60.0	20650	392			
6M204	20	15	460			27.0	17930	30.0	20650	196			
6M258	25	18.5	200			77.3	22740	87.5	26190	578			
6M252	25	18.5	230			68.0	22470	76.0	25800	530			
6M254	25	18.5	460			34.0	22470	37.0	25800	265			
6M308	30	22	200			91.8	27000	104.0	31120	674			
6M302	30	22	230			82.0	27130	94.0	31160	610			
6M304	30	22	460	41.0	27130	47.0	31160	305					
6M404	40	30	460	3	6" x 6"	1.15	53.0	35530	60.0	41100	340		
66M504	50	37	460				70.0	45210	79.0	52380	465		
86M504	50	37	460		8" x 6"		1.15	65.0	44360	73.0	51000	435	
86M604	60	45	460					80.0	52850	90.0	60900	510	
8M754	75	55	460		8" x 8"			1.15	96.0	65900	109.0	76100	650
8M1004	100	75	460						127.0	87600	145.0	101300	795
8M1254	125	90	460						160.0	110800	180.0	126000	980
8M1504	150	110	460						195.0	130700	220.0	152000	1060
10M2004	200	150	460		235.0				171100	270.0	198600	1260	
					10" x 10"				1.15				

5-30 HP, 3 Phase 230 and 460 Motors have adjustable voltage feature, change voltage plugs to convert from 230V to 460V operation. Spare Change Plug Order No's are: PLUG-230V or PLUG-460V.

6" SINGLE PHASE MOTORS

Motor Order No.	HP	kW	Volts	Phase	F.L. Efficiency %	KVA Code	Resistance - Ohms		
							R - Y	B - Y	R - B
6M051	5	3.7	230	1	74.8	G	2.172	0.512	2.627
6M071	7.5	5.5			72.9	F	1.401	0.400	1.774
6M101	10	7.5			73.6	E	1.052	0.316	1.310
6M151	15	11			73.7	D	0.678	0.230	0.850

6-10" THREE PHASE MOTORS

Motor Order No.	HP	kW	Volts	Phase	F.L. Efficiency %	KVA Code	Line - Line Resistance	Time Delay Fuse	
								Standard	Dual Element
6M058	5	3.7	200	3	75.9	K	0.618	50	25
6M052	5	3.7	230		76.8	K	0.806	45	20
6M054	5	3.7	460		76.8	K	3.050	25	10
6M078	7.5	5.5	200		77.9	J	0.504	80	40
6M072	7.5	5.5	230		78.5	J	0.651	70	30
6M074	7.5	5.5	460		78.5	J	2.430	35	15
6M108	10	7.5	200		79.7	K	0.315	100	50
6M102	10	7.5	230		79.3	K	0.448	90	40
6M104	10	7.5	460		79.3	K	1.619	45	20
6M158	15	11	200		81.7	K	0.213	175	70
6M152	15	11	230		81.7	K	0.312	150	60
6M154	15	11	460		81.7	K	1.074	70	30
6M208	20	15	200		82.7	J	0.189	200	90
6M202	20	15	230		83.2	J	0.258	175	70
6M204	20	15	460		83.2	J	0.861	90	35
6M258	25	18.5	200		82.0	K	0.146	250	110
6M252	25	18.5	230		83.0	K	0.210	225	90
6M254	25	18.5	460		83.0	K	0.666	110	45
6M308	30	22	200		82.9	J	0.119	300	125
6M302	30	22	230		82.5	K	0.166	250	100
6M304	30	22	460		82.5	K	0.554	125	50
6M404	40	30	460		84.0	H	0.446	175	70
66M504	50	37	460		82.5	J	0.388	225	90
86M504	50	37	460		84.1	H	0.331	200	90
86M604	60	45	460		84.7	H	0.278	250	110
8M754	75	55	460		84.9	H	0.218	300	125
8M1004	100	75	460		85.2	H	0.164	400	175
8M1254	125	90	460		84.2	G	0.132	500	225
8M1504	150	110	460		85.6	G	0.115	600	250
10M2004	200	150	460		87.2	F	0.0929	800	350

THREE PHASE POWER UNBALANCE

A full three phase supply consisting of three individual transformers or one three phase transformer is recommended. "Open" delta or wye connections using only two transformers can be used, but are more likely to cause poor performance, overload tripping or early motor failure due to current unbalance.

Check the current in each of the three motor leads and calculate the current unbalance as explained below.

If the current unbalance is 2% or less, leave the leads as connected.

If the current unbalance is more than 2%, current readings should be checked on each leg using each of the three possible hook-ups. Roll the motor leads across the starter in the same direction to prevent motor reversal.

To calculate percent of current unbalance:

- A. Add the three line amp values together.
- B. Divide the sum by three, yielding average current.
- C. Pick the amp value which is furthest from the average current (either high or low).
- D. Determine the difference between this amp value (furthest from average) and the average.
- E. Divide the difference by the average.
Multiply the result by 100 to determine percent of unbalance.

Current unbalance should not exceed 5% at service factor load or 10% at rated input load. If the unbalance cannot be corrected by rolling leads, the source of the unbalance must be located and corrected. If, on the three possible hookups, the leg farthest from the average stays on the same power lead, most of the unbalance is coming from the power source.

Contact your local power company to resolve the imbalance.

	Hookup 1			Hookup 2			Hookup 3		
Starter Terminals	L1	L2	L3	L1	L2	L3	L1	L2	L3
	$\frac{\perp}{\text{T}}$	$\frac{\perp}{\text{T}}$	$\frac{\perp}{\text{T}}$	$\frac{\perp}{\text{T}}$	$\frac{\perp}{\text{T}}$	$\frac{\perp}{\text{T}}$	$\frac{\perp}{\text{T}}$	$\frac{\perp}{\text{T}}$	
Motor Leads	R	B	Y	Y	R	B	B	Y	R
	T3	T1	T2	T2	T3	T1	T1	T2	T3

Example:	Hookup 1	Hookup 2	Hookup 3
	T3-R = 51 amps	T2-Y = 50 amps	T1-B = 50 amps
	T1-B = 46 amps	T3-R = 48 amps	T2-Y = 49 amps
	T2-Y = 53 amps	T1-B = 52 amps	T3-R = 51 amps
	Total = 150 amps	Total = 150 amps	Total = 150 amps
	$\div 3 = 50$ amps	$\div 3 = 50$ amps	$\div 3 = 50$ amps
	- 46 = 4 amps	- 48 = 2 amps	- 49 = 1 amp
	$4 \div 50 = .08$ or 8%	$2 \div 50 = .04$ or 4%	$1 \div 50 = .02$ or 2%

TROUBLESHOOTING



DISCONNECT AND LOCKOUT ELECTRICAL POWER BEFORE ATTEMPTING ANY SERVICE. FAILURE TO DO SO CAN CAUSE SHOCK, BURNS OR DEATH.

Symptom	Probable Cause	Recommended Action
PUMP MOTOR NOT RUNNING	1. Motor thermal protector tripped a. Incorrect control box b. Incorrect or faulty electrical connections c. Faulty thermal protector d. Low voltage e. Ambient temperature of control box/starter too high f. Pump bound by foreign matter g. Inadequate submergence	1. Allow motor to cool, thermal protector will automatically reset a – e. Have a qualified electrician inspect and repair, as required f. Pull pump, clean, adjust set depth as required g. Confirm adequate unit submergence in pumpage
	2. Open circuit breaker or blown fuse	2. Have a qualified electrician inspect and repair, as required
	3. Power source inadequate for load	3. Check supply or generator capacity
	4. Power cable insulation damage 5. Faulty power cable splice	4 – 5. Have a qualified electrician inspect and repair, as required
	LITTLE OR NO LIQUID DELIVERED BY PUMP	1. Faulty or incorrectly installed check valve
	2. Pump air bound	2. Successively start and stop pump until flow is delivered
	3. Lift too high for pump	3. Review unit performance, check with dealer
	4. Pump bound by foreign matter	4. Pull pump, clean, adjust set depth as required
	5. Pump not fully submerged	5. Check well recovery, lower pump if possible
	6. Well contains excessive amounts of air or gases	6. If successive starts and stops does not remedy, well contains excessive air or gases
	7. Excessive pump wear	7. Pull pump and repair as required
	8. Incorrect motor rotation – three phase only.	8. Reverse any two motor electrical leads

GOULDS WATER TECHNOLOGY LIMITED WARRANTY

This warranty applies to all water system products manufactured by Goulds Water Technology.

Any part or parts found to be defective within the warranty period shall be replaced at no charge to the dealer during the warranty period. The warranty period shall exist for a period of twelve (12) months from date of installation or eighteen (18) months from date of manufacture, whichever period is shorter.

A dealer who believes that a warranty claim exists must contact the authorized Goulds Water Technology distributor from whom the pump was purchased and furnish complete details regarding the claim. The distributor is authorized to adjust any warranty claims utilizing the Goulds Water Technology Customer Service Department.

The warranty excludes:

- (a) Labor, transportation and related costs incurred by the dealer;
- (b) Reinstallation costs of repaired equipment;
- (c) Reinstallation costs of replacement equipment;
- (d) Consequential damages of any kind; and,
- (e) Reimbursement for loss caused by interruption of service.

For purposes of this warranty, the following terms have these definitions:

- (1) "Distributor" means any individual, partnership, corporation, association, or other legal relationship that stands between Goulds Water Technology and the dealer in purchases, consignments or contracts for sale of the subject pumps.
- (2) "Dealer" means any individual, partnership, corporation, association, or other legal relationship which engages in the business of selling or leasing pumps to customers.
- (3) "Customer" means any entity who buys or leases the subject pumps from a dealer. The "customer" may mean an individual, partnership, corporation, limited liability company, association or other legal entity which may engage in any type of business.

THIS WARRANTY EXTENDS TO THE DEALER ONLY.



Xylem, Inc.
2881 East Bayard Street Ext., Suite A
Seneca Falls, NY 13148
Phone: (866) 325-4210
Fax: (888) 322-5877
www.xylem.com/brands/gouldswatertechnology

Goulds is a registered trademark of Goulds Pumps, Inc. and is used under license.
© 2012 Xylem Inc. IM103 Revision Number 3 July 2012

Bombas sumergibles de 5 pulgadas y mayores

INSTRUCCIONES DE INSTALACIÓN Y FUNCIONAMIENTO

ÍNDICE

TEMA	PÁGINA
Instrucciones de Seguridad	20
1.0 Cómo prepararse para la instalación.....	21
2.0 Instalación mecánica.....	21
3.0 Instrucciones eléctricas	22
4.0 Operación de la bomba	24
5.0 Literatura y manual de instrucciones	24
6.0 Accesorios	24
Cableado monofásico	8
Cableado trifásico.....	9
Datos técnicos	25
Trifásico, 4" motores - datos eléctricos.....	27
Generación II - 3-Alambre, monofásico, 4" motores - datos eléctricos.....	27
6" motores la monofásico y rectángulos de control requeridos.....	28
6-10" motores trifásicos	28
6" motores la monofásico	29
6-10" motores trifásicos	29
Desbalance de potencia trifásica	30
Identificación y resolución de problemas	31
Garantía limitada.....	32

Información del propietario

Número de modelo de la bomba: _____

Número de serie de la bomba: _____

Número de modelo del motor: _____

Número de serie del motor: _____

Agente: _____

No. telefónico del agente: _____

Fecha de compra: _____

Fecha de instalación: _____

Dole® es una registrada de Eaton Corporation.

Cla-Val™ es una marca comercial de Griswold Ind.

INSTRUCCIONES DE SEGURIDAD

PARA EVITAR LESIONES PERSONALES GRAVES O AÚN FATALES Y SERIOS DAÑOS MATERIALES, LEA Y SIGA TODAS LAS INSTRUCCIONES DE SEGURIDAD EN EL MANUAL Y EN LA BOMBA.

ESTE MANUAL HA SIDO CREADO COMO UNA GUÍA PARA LA INSTALACIÓN Y OPERACIÓN DE ESTA UNIDAD Y SE DEBE CONSERVAR JUNTO A LA BOMBA.



Éste es un **SÍMBOLO DE ALERTA DE SEGURIDAD**. Cuando vea este símbolo en la bomba o en el manual, busque una de las siguientes palabras de señal y esté alerta a la probabilidad de lesiones personales o daños materiales.



Advierte los peligros que **CAUSARÁN** graves lesiones personales, la muerte o daños materiales mayores.



Advierte los peligros que **PUEDEN** causar graves lesiones personales, la muerte o daños materiales mayores.



Advierte los peligros que **PUEDEN** causar lesiones personales o daños materiales.

AVISO: INDICA INSTRUCCIONES ESPECIALES QUE SON MUY IMPORTANTES Y QUE SE DEBEN SEGUIR DE RETROCESO DE DRENAJE; ESTOS SISTEMAS DEBEN UTILIZAR OTROS MEDIOS FRANKLIN ELECTRIC O EN UN MANUAL DEL CÓDIGO N.E.C. (CÓDIGO ELÉCTRICO NACIONAL DE LOS ESTADOS UNIDOS).

EXAMINE BIEN TODAS LAS INSTRUCCIONES Y ADVERTENCIAS ANTES DE REALIZAR CUALQUIER TRABAJO EN ESTA BOMBA.

MANTENGA TODAS LAS CALCOMANÍAS DE SEGURIDAD.

Aviso importante: *Lea las instrucciones de seguridad antes de proseguir con el cableado.*



Todo el trabajo eléctrico debe ser realizado por un técnico calificado. Siempre siga el Código Eléctrico Nacional (NEC) o el Código Eléctrico Canadiense, además de todos los códigos locales, estatales y provinciales. Las preguntas acerca del código deben ser dirigidas al inspector eléctrico local. Si se hace caso omiso a los códigos eléctricos y normas de seguridad de OSHA, se pueden producir lesiones personales o daños al equipo. Si se hace caso omiso a las instrucciones de instalación del fabricante, se puede producir electrochoque, peligro de incendio, lesiones personales o aún la muerte, daños al equipo, rendimiento insatisfactorio y podría anularse la garantía del fabricante.



Las unidades estándar fueron diseñadas para bombear agua potable de pozos y tanques de almacenaje. No fueron diseñadas para su uso en piscinas, cuerpos abiertos de agua, líquidos peligrosos o donde existan gases inflamables. El pozo debe contar con ventilación de acuerdo con los códigos locales.

En lugares con líquidos inflamables o donde pudiesen pudiese haber gases inflamables sólo deben usarse bombas específicamente clasificadas para áreas de Clase 1, División 1. *Consulte los boletines de catálogos de bombas específicas o la placa de identificación de la bomba con respecto a las listas de agencias.*



Desconecte y bloquee la corriente eléctrica antes de instalar o dar servicio a cualquier equipo eléctrico. Muchas bombas están equi-padas con protección automática contra la sobrecarga térmica, la cual podría permitir que una bomba demasiado caliente re arranque inesperadamente.



No levante ni transporte ni cuelgue la bomba de los cables eléctricos. El daño a los cables eléctricos puede producir electrochoque, quemaduras o aún la muerte.



Use únicamente alambre trenzado de cobre para la bomba/motor y la conexión a tierra. El alambre de conexión a tierra debe ser al menos del mismo tamaño que los alambres de la fuente de alimentación. Los alambres deben codificarse con colores para facilitar el mantenimiento y la identificación y resolución de problemas.



Instale los cables y la conexión a tierra de acuerdo con el Código Eléctrico Nacional de EE.UU. (NEC) o el Código Eléctrico Canadiense, además de los códigos locales, estatales y provinciales.



Instale un desconectador de todos los circuitos donde el código lo requiera.



La tensión y fase de la fuente de alimentación deben corresponder con todos los requerimientos del equipo. La tensión o fase incorrecta puede producir incendio, daño al motor o a los controles y anula la garantía.



Todos los controles trifásicos (3Ø) para bombas sumergibles deben incluir protección contra sobrecarga de Clase 10, de disparo rápido.



Todos los empalmes deben ser impermeables. Si utiliza juegos de empalme, siga las instrucciones del fabricante.



Seleccione una caja de conexiones NEMA del tipo correcto para la aplicación y ubicación. La caja de conexiones debe garantizar conexiones de cableado seguras y secas.



La falla de conectar a tierra permanentemente la bomba, el motor y los controles, antes de conectar la corriente eléctrica, puede causar electrochoque, quemaduras o la muerte.



Asegure un enfriamiento adecuado del motor, ver Tabla 3, cuadro de Velocidades Mínimas de Flujo en la Sección Técnica.



Esta bomba se evaluó para uso con Agua Únicamente.



Nunca sobrepresurice un tanque de almacenaje a una presión superior a la presión máxima permitida para el tanque. El hacerlo dañará el tanque, anula la garantía y puede crear un peligro grave.

1.0 CÓMO PREPARARSE PARA LA INSTALACIÓN

El pozo debe estar desarrollado (limpio) y desinfectado antes de instalar la bomba.

Escriba el número de modelo y el número de serie de la bomba y el número de serie del motor en los espacios proporcionados en este Manual de Instrucciones (IOM). Deje el Manual de Instrucciones completado adjunto al tanque o a la caja de control en un área seca o entréguelo al propietario. Adjunte su tarjeta.

Verifique que la tensión del motor, la tensión de control, la tensión de la bobina (arrancadores trifásicos) y la tensión de la fuente de alimentación correspondan. La instalación eléctrica debe ser realizada por personal calificado.

Inspeccione todos los componentes para verificar que no hayan sido dañados durante el envío y para asegurar que tenga todos los componentes requeridos: extremo de agua de la bomba, motor, caja de control del motor monofásico o arrancador trifásico con sobrecargas, tanque de presión, interruptor por caída de presión, alambre de cobre, válvula de alivio de presión (si se requiere), mecanismo antitorsión (si se requiere), tubería y accesorios.

2.0 CONJUNTO MECÁNICO – bomba y tuberías

2.1 Sistemas típicos

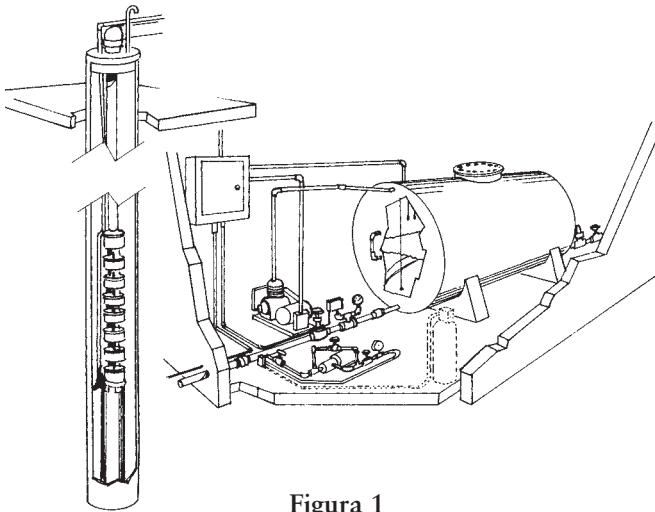


Figura 1

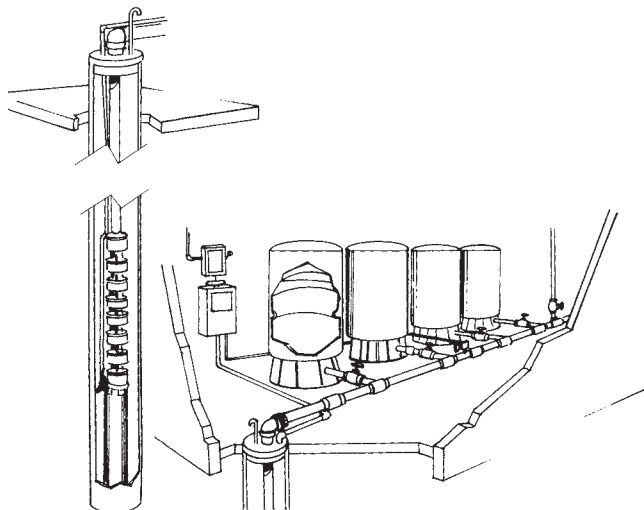
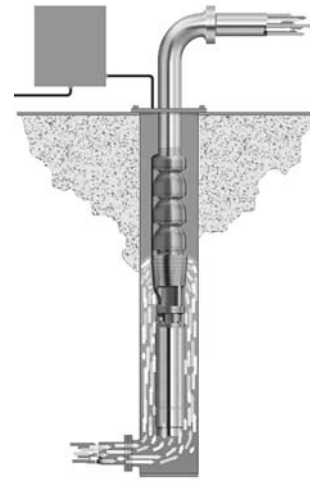
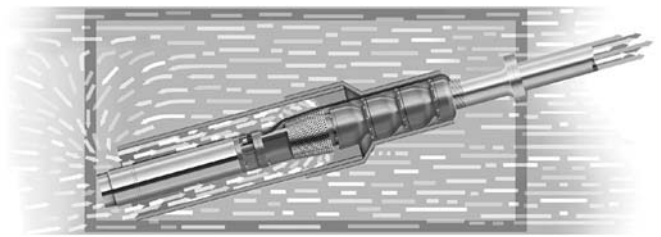


Figura 2



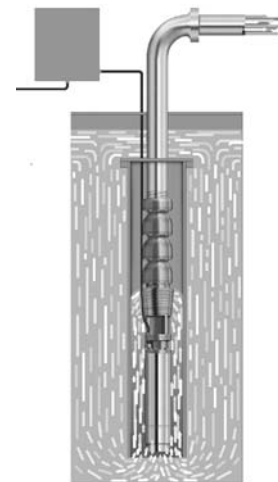
Bomba en "lata"

Figura 3



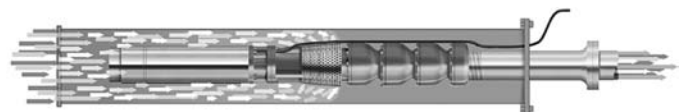
Bomba con camisa de flujo en el tanque

Figura 4



Bomba con camisa de flujo en un pozo de diámetro grande

Figura 5



Bomba horizontal en "lata"

Figura 6

2.2 Conexión del extremo de la bomba al motor

Quite el protector de cable de la bomba (extremo del agua). Instale el deflector de arena del eje del motor si se incluye con el extremo del agua en el paquete de accesorios de montaje del motor. Conecte el extremo del agua al motor. Alinee los alambres en el protector de cable y reinstálelo en el extremo del agua.

La bomba no debe hacerse funcionar seca bajo ninguna circunstancia. Under no circumstances should the pump be run dry, doing so may damage internal parts. Sugerimos que verifique la rotación en un motor trifásico antes de conectarlo al extremo del agua (bomba). Todos los motores monofásicos de 4 pulgadas y 6 pulgadas deben rotar en sentido contrario cuando se observan desde el extremo del eje. La rotación en los motores trifásicos debe corresponder con las especificaciones de la bomba. Debido a la alta torsión de arranque, el motor debe sujetarse de manera que no gire, pero sin dañarse.

2.3 Instalación de la(s) válvula(s) de retención

Las cabezas de descarga están roscadas con roscas de tubo NPT. Todos los modelos necesitan una válvula de retención a resorte a menos de 25 pies (7.5 m) de la descarga de la bomba y debajo del nivel de descenso del suministro de agua. Los fabricantes de motores recomiendan válvulas de retención adicionales cada 200 a 250 pies (70 m) en la tubería de descarga vertical. Las válvulas de retención se utilizan para retener la presión en el sistema e impedir el contragiro, el ariete hidráulico y el empuje hacia arriba.

Contragiro es permitir que el flujo se devuelva por la bomba para drenar el sistema. Hace que los impulsores y el rotor del motor giren en dirección inversa. Esto puede producir un desgaste prematuro del cojinete de empuje y si el motor arranca durante el contragiro, el eje puede torcerse o romperse.

Se produce **ariete hidráulico** cuando la válvula de retención más baja está más de 30 pies por encima del nivel del agua en reposo o si la válvula de retención inferior tiene una fuga y la válvula de retención de arriba la aguanta. Esto crea un vacío parcial (espacio) en la tubería de descarga. Durante el arranque siguiente, el agua moviéndose a una velocidad muy alta llena el espacio y golpea la válvula de retención cerrada y el agua estacionaria en el tubo sobre la misma, produciendo un choque hidráulico. Este choque (ariete hidráulico) puede partir los tubos, romper las juntas y dañar la bomba y el motor. El ariete hidráulico es un ruido que se detecta fácilmente. Cuando se descubre, la bomba debe apagarse de inmediato y debe contactarse al instalador para que solucione el problema.

Empuje hacia arriba es un movimiento ascendente de los impulsores y eje del motor. Se produce al arrancar la bomba con cero carga debido a que no hay válvula de retención o a una fuga en dicha válvula; o a una carga muy baja del sistema debido a un alto nivel de agua estática. El empuje hacia arriba recurrente puede producir una falla prematura de la bomba o el motor o ambos. *Consulte 4.2*

2.4 Instalación de la bomba en el pozo

Si está utilizando un mecanismo antitorsión, instálelo de acuerdo con las instrucciones de instalación del fabricante. En los pozos de alimentación superior o pozos de diámetro grande donde la velocidad del agua no enfría correctamente el motor, instale una camisa de flujo sobre la bomba. *Consulte la Tabla 3 – flujo de enfriamiento requerido.*

Conecte la tubería de descarga a la cabeza de descarga de la bomba. Las bombas sumergibles son capaces de producir presiones de descarga muy altas, consulte con su proveedor de tuberías para determinar cuál es el mejor material y especificación para cada instalación.

Baje la bomba al interior del pozo. Coloque la bomba al menos a 10 pies del fondo, pero sobre las rejillas. Proteja los alambres para que no rocen contra el revestimiento del pozo. Instale un adaptador sin depresión o un dispositivo similar en el cabezal del pozo. Consulte con el fabricante del accesorio o con el proveedor del adaptador con respecto a instrucciones específicas de instalación.

Utilice cinta aislante impermeable o amarras para alambres para sujetar los alambres al tubo de bajada a intervalos de 10 pies. Asegúrese de que la cinta no se suelte ya que bloqueará la succión de la bomba si cae dentro del pozo.

2.5 Válvula de alivio de presión

Se requieren válvulas de alivio de presión en cualquier sistema que sea capaz de producir más de 100 lbs./pulg. cuadrada o 230 pies de carga dinámica total. En un área donde una purga o fuga de agua podría dañar la propiedad, conecte una línea de drenaje a la válvula de alivio de presión. Tiéndala a un drenaje adecuado o a un área donde el agua no dañará la propiedad.

2.6 Tanque de presión e interruptor por caída de presión (si se usa)

El interruptor por caída de presión debe situarse en la doble T del tanque en instalaciones de un solo tanque y lo más cerca posible del centro en instalaciones de varios tanques. Las instalaciones de varios tanques deben tener un tubo de distribución cuyo tamaño sea 1½ a 2 veces el tamaño del tubo de suministro de la bomba. Esto es para reducir la pérdida de carga por fricción o el diferencial de presión en el múltiple. Las pérdidas excesivas pueden producir chasquido del interruptor. No debe haber filtros o accesorios de pérdida alta entre el interruptor y el (los) tanque(s). Se permite instalar válvulas de compuerta completamente abiertas entre el tanque y el interruptor.

2.7 Cómo ajustar la precarga del tanque (si se usa)

Asegure que no haya nada de agua en el tanque. Utilice un indicador de presión de alta calidad para medir la presión de precarga del tanque. La presión debe ser 2 lbs./pulg. cuadrada menos que la presión de conexión (activación) de la bomba. Como ejemplo, un sistema de 30-50 lbs./pulg. cuadrada utilizaría una precarga del tanque de 28 lbs./pulg. cuadrada.

Seleccione un área que siempre esté a más de 34°F en la cual instalar el tanque, el interruptor por caída de presión y la válvula de alivio de presión. El tanque debe estar situado en un área donde una fuga no produzca daños materiales.

3.0 INSTRUCCIONES ELÉCTRICAS

3.1 Generalidades

Nota: No energice la unidad ni haga funcionar la bomba hasta que se hayan completado todas las conexiones eléctricas y de plomería y la bomba esté llena con agua.

Siempre siga las instrucciones del Código Eléctrico (N.E.C.) de los Estados Unidos o del Código Eléctrico Canadiense, además de todos los códigos estatales, provinciales o locales.

Todo el trabajo eléctrico debe ser realizado por personal calificado. Algunas leyes locales requieren que la instalación sea realizada por “instaladores licenciados” únicamente.

Sugerimos usar únicamente cable de cobre. Utilice el tamaño de cable que figura en nuestro Manual de Aplicación e Instalación de ITT MAID, o en un manual de Código Eléctrico Nacional (N.E.C. – National Electric Code). En caso de discrepancias, prevalecen el N.E.C. en EE.UU., y en Canadá, el Código Eléctrico Canadiense (Canadian Electrical Code).

3.2 Empalme del cable de bajada a los conductores del motor

Cuando deba empalmarse o conectarse el cable de bajada a los conductores del motor, es necesario que el empalme sea impermeable. El empalme puede realizarse con juegos de contracción por calor, accesorios de compresión o cinta impermeable. Haga corresponder los conductores del motor con el cable de bajada de acuerdo con los códigos de colores o identifique los alambres del cable de bajada para asegurar la conexión apropiada en la caja de control.

A. Instrucciones de empalme con un juego de contracción por calor

Para utilizar un juego típico de contracción por calor: pele ½ pulgada de los alambres del motor y de los alambres del cable de bajada; es mejor escalonar los empalmes. Coloque los tubos de contracción por calor sobre los alambres. Coloque los plegadores sobre los alambres y pliegue los extremos. Deslice los tubos de contracción por calor sobre los plegadores y caliéntelos desde el centro hacia afuera. El sellador y el adhesivo saldrán por los extremos cuando el tubo se contrae. El tubo, los plegadores, el sellador y el adhesivo crearán un sello impermeable muy resistente. El calentamiento excesivo puede quemar los tubos de contracción por calor.

B. Instrucciones de empalme con cinta

1) Pele el aislamiento del conductor individual sólo lo necesario para dejar espacio para un conector tipo estaca. Se prefieren los conectores tubulares tipo estaca. Si el D.E. del conector no es tan grande como el aislamiento del cable, aumentelo con cinta aislante de caucho.

2) Enciente las juntas individuales con cinta aislante de caucho, empleando dos capas; la primera extendiéndose dos pulgadas más allá de cada extremo de aislamiento del conductor, la segunda capa extendiéndose dos pulgadas más allá de la primera capa. Envuelva en forma apretada, eliminando los espacios de aire lo más posible.

3) Aplique cinta aislante Scotch #33 o equivalente sobre la cinta aislante de caucho, empleando dos capas como en el paso "B" y haciendo que cada capa se superponga al menos dos pulgadas al extremo de la capa anterior.

C. Juegos de empalme por compresión

Consulte las instrucciones suministradas con los juegos de empalme por compresión o consulte con su proveedor local.

3.3 Cómo montar la caja de control del motor

Las cajas de control monofásicas trifilares cumplen con los requerimientos de U.L. para las cubiertas tipo 3R. Son adecuadas para montaje vertical en lugares interiores o exteriores. Funcionarán a temperaturas entre 14°F (-10°C) y 122° (50°C). Seleccione un lugar sombreado y seco para montar la caja. Asegure que haya suficiente espacio para quitar la tapa.

3.4 Verificación de la tensión

Asegure que la tensión del motor y la tensión de la fuente de alimentación sean iguales. Las bobinas de arrancadores trifásicos son muy sensibles a la tensión; sugerimos que siempre verifique la tensión de suministro actual con un voltímetro. La alta o baja tensión dañará los motores y controles y eso no está cubierto por la garantía.

3.5 Apague la fuente de alimentación

Utilice un interruptor de desconexión cuando el código así lo requiera. Apague el cortacircuitos y trabe el interruptor de desconexión en la posición apagada para impedir el arranque accidental de la bomba antes que usted esté listo.

3.6 Conexión a una caja de control monofásica (1Ø) o a un arrancador trifásico (3Ø)

▲ PELIGRO

No energice la unidad ni haga funcionar la bomba hasta que haya completado todas las conexiones eléctricas y de tuberías. Excepción – para verificar la rotación del motor trifásico, es aceptable energizar el motor antes de conectarlo al extremo del agua para comprobar la rotación correcta. ¡Después de verificar la rotación, trabe el desconector o el cortacircuitos en la posición APAGADA!

Verifique que el desconector o cortacircuitos esté APAGADO antes de hacer cualquier conexión a la fuente de alimentación. Siempre siga las instrucciones del Código Eléctrico (N.E.C.) de los Estados Unidos o del Código Eléctrico Canadiense, además de todos los códigos estatales, provinciales o locales.

A. Cableado de la caja de control trifilar monofásica (1Ø)

▲ PRECAUCIÓN

Conecte los conductores del motor codificados con colores a los terminales de la caja de control del motor - Y (amarillo), R (rojo) y B (negro) y el alambre verde o desnudo al tornillo verde de puesta a tierra.

Conecte los alambres entre los terminales de carga en el interruptor por caída de presión y los terminales L1 y L2 de la caja de control. Conecte un alambre de puesta a tierra entre la tierra del interruptor y la tierra de la caja de control.

Consulte la Figura 7 u 8

B. Cableado del arrancador trifásico (3Ø)

▲ PRECAUCIÓN

Conecte los conductores del motor a T1, T2 y T3 en el arrancador trifásico. Conecte el alambre de puesta a tierra al tornillo de puesta a tierra en la caja del arrancador. Siga las instrucciones del fabricante del arrancador para conectar el interruptor por caída de presión (cuando se use) al arrancador. Consulte la Figura 9 ó 10

3.7 Conexión de la fuente de alimentación

▲ PRECAUCIÓN

Suministre un circuito derivado separado con fusible o protegido con un cortacircuitos para la bomba. Instale un interruptor de desconexión principal a plena vista y fácilmente accesible desde la ubicación del tanque e interruptor de presión.

Monofásica:

Con interruptor por caída de presión – haga la conexión desde los terminales de línea de dicho interruptor al interruptor de desconexión (cuando se use) y luego al panel de cortacircuitos.

Sin interruptor por caída de presión – haga la conexión desde los terminales L1 y L2 de la caja de control al interruptor de desconexión (cuando se use) y luego al panel de cortacircuitos.

Instalaciones trifásicas – haga las conexiones entre L1, L2, L3 y tierra en el arrancador al interruptor de desconexión y luego al panel de cortacircuitos.

Los motores sumergibles trifásicos requieren protección de sobrecarga Quick-Trip de la Clase 10. Use arrancadores NEMA Clase 14 de Furnas con sobrecargas de la Clase 10 ajustables ESP100. También se puede utilizar arrancadores de la Clase 16 de Furnas con calentadores “K” (sobrecargas) que se instalan en el arrancador. Los calentadores “K” deben comprarse por separado. Consulte el manual ITT MAID o F.E. AIM para otros dispositivos de protección de carga aceptables.

Nota: Cuando reemplace una turbina de eje de línea u otro tipo de bomba sobre el suelo con un tipo sumergible, debe cambiar las sobrecargas Clase 20 en el arrancador a Clase 10 de disparo rápido para obtener una protección adecuada contra las sobrecargas del motor. El uso de sobrecargas Clase 20 anula la garantía de la bomba sumergible.

Deben verificarse las instalaciones trifásicas con respecto a la rotación del motor y al desbalance de fase. Para invertir la rotación del motor, cambie (invierta) dos conductores de alimentación cualquiera. Consulte las instrucciones para identificar el desbalance trifásico en la Sección Técnica de este manual. Si no se revisa y corrige el desbalance trifásico, se puede producir una falla prematura del motor o un disparo falso por sobrecarga.

4.0 FUNCIONAMIENTO DE LA BOMBA

4.1 Estrangulación de la descarga durante la puesta en marcha

Si se arrancará u operará la bomba con una descarga “abierta”, se debe regular el flujo de la descarga antes del arranque. Instale una válvula de bola, de globo o Cla-valve® en la línea de descarga. Abra la válvula hasta que esté aproximadamente 1/3 abierta al poner en marcha el sistema. Esto evitará el daño por empuje hacia arriba a los cojinetes del motor y de la bomba. Puede abrir la válvula cuando obtenga un flujo adecuado y constante de agua. No exceda el intervalo de funcionamiento máximo en gpm indicado en la curva de la bomba. Si no conoce los gpm máximos para la bomba, llame al distribuidor que se la vendió. Una causa importante de falla prematura es arrancar o hacer funcionar una bomba con poco o nada de carga.

4.2 Estrangulación de un pozo de alto nivel estático para evitar el empuje hacia arriba

Un pozo con un alto nivel estático de agua podría permitir que la bomba funcione fuera de la curva a la derecha o fuera del “intervalo recomendado” mostrado en la curva de la bomba. Recomendamos utilizar un restrictor de flujo “Dole®” o estrangular la descarga con una válvula de bola para evitar el daño por empuje hacia arriba a la bomba y al motor. El flujo máximo debe estar dentro del intervalo de funcionamiento recomendado de la bomba. Si utiliza una válvula de bola, ajústela y quite la manija; encinte la manija al tubo. Etiquete la válvula con una nota diciendo “No abrir esta válvula o podrían ocasionarse daños a la bomba”. Usted puede ajustar la válvula instalando un manómetro entre el pozo y la válvula y estrangulando el flujo/carga a un valor dentro del intervalo recomendado. También puede estrangular determinando la velocidad de flujo real; consulte “Cómo determinar las velocidades de flujo” en la Sección Técnica del catálogo.

4.3 Arranque de la bomba

Abra parcialmente una válvula (llave o drenaje de la caldera) en el sistema y coloque el cortacircuitos en la posición de ENCENDIDO. Deje que la bomba funcione hasta que el agua salga clara. En los sistemas trifásicos, verifique la rotación; la rotación correcta producirá el flujo y presión más altos.

Mida la corriente y verifique que esté dentro del rango de amperios especificado en la hoja de datos del motor o en la placa de identificación del motor. El valor de la corriente en amperios debe estar entre los amperios de entrada nominal y los amperios del factor de servicio. Una corriente alta puede ser causada por baja o alta tensión. Anote las lecturas de corriente en este manual, junto con los números de modelos y números de serie del motor y la bomba. En todos los sistemas trifásicos debe realizarse una prueba de desbalance trifásico para asegurar una fuente de alimentación balanceada. Deje una copia de la hoja de trabajo de desbalance trifásico con este Manual de instalación y funcionamiento en el sitio del proyecto para referencia futura.

En los sistemas de tanque/interruptor por caída de presión únicamente – cierre la válvula cuando el agua salga clara y deje que se acumule presión. Si está ajustado correctamente, el interruptor debe apagar la bomba a la presión preestablecida. Abra algunas salidas y deje que la bomba funcione durante unos pocos ciclos. Compruebe el funcionamiento del interruptor y verifique que los valores de presión sean los correctos. Revise todos los accesorios para detectar fugas.

En los sistemas manuales, apague la bomba.

5.0 DOCUMENTACIÓN Y EL MANUAL DE INSTRUCCIONES (IOM)

Entregue al propietario este manual de instrucciones y su tarjeta. ¡Una etiqueta con su nombre y número de teléfono en el trabajo o en la caja de control es una buena herramienta de venta para los negocios futuros!

Felicitaciones por haber finalizado la instalación profesional de una bomba sumergible.

6.0 ACCESORIOS

Tanques de presión

Los tanques deben dimensionarse para permitir que las bombas de más de dos (2) HP funcionen al menos 2 minutos. Si el promedio de la bomba es 80 gpm, se requieren tanques con un “descenso” de nivel de 160 galones. Consulte su catálogo de Productos para Agua con respecto a los datos de los tanques de presión.

Protección contra el bajo nivel de agua

Se debe agregar protección para nivel bajo de agua al sistema en los pozos de bajo rendimiento. Comuníquese con su distribuidor para obtener información sobre dispositivos de protección para bajo nivel de agua SymCom.

Paneles eléctricos

El Departamento de Servicio a los Clientes cotizará los paneles de control de bombas de acuerdo con las especificaciones del cliente. Favor enviar las especificaciones del panel por escrito a su distribuidor autorizado. Ellos las enviarán al Grupo de Servicio al Cliente que apoya su línea de productos. Las especificaciones escritas deben incluir la potencia de la bomba, tensión, fase, tipo de gabinete NEMA deseado, secuencia de funcionamiento, opciones especiales necesarias y una breve declaración describiendo cualquier lógica especial para alarmas, cronómetros o características de duplicación. Se recomienda incluir el nombre y número de teléfono de una persona que actúe como contacto para contestar preguntas, y esto además acelerará la cotización.

Datos técnicos

LECTURAS DE RESISTENCIA DEL AISLAMIENTO DEL MOTOR

Lecturas normales en ohmios/megaohmios, TODOS los motores, entre todos los conductores y tierra

PRECAUCIÓN Para realizar la prueba de resistencia de aislamiento, abra el cortacircuitos y desconecte todos los conductores de la caja de control QD o del interruptor por caída de presión. Conecte un conductor del ohmiómetro a cualquier conductor del motor y otro a un tubo de bajada de metal o a una tierra adecuada. **Escala R x 100K**

Condición del motor y los conductores	Valor en OHMIOS	Valor en Megaohmios
Motor nuevo, sin cable de alimentación	20,000,000 (o más)	20.0
Motor usado, el cual puede reinstalarse en el pozo	10,000,000 (o más)	10.0
Motor en el pozo – lecturas del cable de alimentación más el motor		
Motor nuevo	2,000,000 (o más)	2.0
El motor está en relativamente buenas condiciones	500,000 a 2,000,000	0.5 – 2.0
El motor podría estar dañado o con cable de alimentación dañado <i>No retire el motor por estas razones</i>	20,000 a 500,000	0.02 – 0.5
Motor definitivamente dañado o con cable de alimentación dañado <i>Retire y repare el motor</i>	10,000 a 20,000	0.01 – 0.02
Falla del motor o del cable de alimentación <i>Retire y repare el motor</i>	Menos de 10,000	0 – 0.01

Tamaño del generador

Nota: Siempre consulte al fabricante del generador cuando surjan dudas.

Estos cuadros de tamaños son recomendaciones basadas en carga de factor de servicio de motor para generadores típicos de funcionamiento continuo. Si necesita llamar al fabricante del generador, esté preparado para informarle el código KVA del motor, el amperaje de factor de servicio, amperaje de rotor bloqueado, fase, hertz, tipo de motor, etc.

Se necesita saber qué tipo de generador tiene antes de utilizar los cuadros, ya que el tamaño de generador requerido varía según el tipo. También se llaman a los generadores regulados internamente autoexcitados. Los generadores regulados externamente son los más comunes. Además de la clasificación

de Kw/KVA, es muy importante la frecuencia del generador (Hertz, típicamente 60 Hz en EE.UU.) al operar equipos de bombeo, ya que las variaciones de frecuencia afectan la salida de la bomba en relación directa con las Leyes de Afinidad de la bomba. El funcionamiento con menos de 60 hertz reducirá el flujo y carga de agua, mientras que el funcionamiento con más de 60 hertz aumentará el flujo, carga de agua, HP y tiro de amperaje y podría sobrecargar el motor.

Siempre se debe arrancar el generador antes de arrancar la bomba/motor y siempre apagar la bomba/el motor antes de apagar el generador. La operación de generadores en elevaciones mayores o utilizar gas natural como combustible pueden afectar el desempeño; consulte al fabricante del generador para obtener sus recomendaciones en estos casos.

Recomendaciones para generadores

Motor	HP	Regulado externamente		Regulado internamente	
		KW	KVA	KW	KVA
Clasificación mínima del generador					
Motores trifilares monofásicos y trifásicos	.5	2	2.5	1.5	1.9
	.75	3	3.8	2	2.5
	1	4	5	2.5	3.2
	1.5	5	6.3	3	3.8
	2	7.5	9.4	4	5
	3	10	12.5	5	6.3
	5	15	18.8	7.5	9.4
	7.5	20	25	10	12.5
	10	30	37.5	15	18.8
	15	40	50	20	25
	20	60	75	25	31
	25	75	94	30	37.5
	30	100	125	40	50
	40	100	125	50	62.5
	50	150	188	60	75
	60	175	220	75	94
	75	250	313	100	125
100	300	375	150	188	
125	375	469	175	219	
150	450	563	200	250	
175	525	656	250	313	
200	600	750	275	344	

Capacidad de transformador requerida para motores sumergibles – monofásicos o trifásicos

Los transformadores de distribución deben estar adecuadamente dimensionados para satisfacer los requerimientos de KVA del motor sumergible. Si los transformadores son demasiado pequeños para abastecer la carga, hay una reducción de tensión al motor.

La Tabla 1 hace referencia a la clasificación de potencia del motor, monofásico y trifásico, los KVA efectivos totales requeridos y el transformador más pequeño requerido para sistemas trifásicos abiertos o cerrados. Los sistemas abiertos requieren transformadores más grandes ya que sólo se usan dos transformadores.

Otras cargas agregarían directamente a los requerimientos de tamaño de KVA del conjunto de transformadores.

Tabla 1 - capacidad de los transformadores

HP del motor	KVA efectivos totales requeridos	Clasificación más baja en KVA - Cada transformador	
		TRIÁNGULO o ESTRELLA abierta 2 transformadores	TRIÁNGULO o ESTRELLA cerrada 3 transformadores
1½	3	2	1
2	4	2	1.5
3	5	3	2
5	7.5	5	3
7½	10	7.5	5
10	15	10	5
15	20	15	7.5
20	25	15	10
25	30	20	10
30	40	25	15
40	50	30	20
50	60	35	20
60	75	40	25
75	90	50	30
100	120	65	40
125	150	85	50
150	175	100	60
175	200	115	70
200	230	130	75

NOTA: Los transformadores mostrados son de clasificación de potencia nominal estándar (KVA). Si la experiencia y práctica de la compañía de electricidad permite una carga del transformador más alta que la clasificación nominal bajo condiciones de operación específicas y mantiene la tensión y el equilibrio correctos, dichos valores de carga más altos pueden usarse para que el (los) transformador(es) cumplan con la potencia efectiva total (KVA) requerida.

Posición de montaje

Los motores son adecuados para funcionar en posiciones de montaje desde el eje vertical hasta horizontal. Si los motores de 4 pulgadas con una potencia de hasta 2 HP se arrancan más de 10 veces por día, se recomienda que el eje se incline hacia arriba en un ángulo de 15° con respecto a la horizontal para reducir al mínimo el desgaste de la arandela de empuje hacia arriba debido a la marcha por inercia.

Frecuencia de arranques

El número promedio de arranques por día en un período de meses o años influencia la vida útil de un sistema de bombeo sumergible. El ciclado excesivo afecta la vida útil de los componentes de control tales como los interruptores por caída de presión, arrancadores, relés y condensadores, además de las estrías y cojinetes. El ciclado rápido también puede causar calentamiento excesivo y fallas del devanado.

El tamaño de la bomba, el tamaño del tanque y otros controles deben seleccionarse para mantener el número de arranques por día lo más bajo posible para prolongar la vida útil, basado en el número máximo de arranques por día de 24 horas, tal como se muestra en la Tabla 2.

Los motores de más de 2 HP deben dejarse funcionar un mínimo de 2 minutos para disipar la acumulación de calor debido a la corriente de arranque.

Tabla 2 - número de arranques

Clasificación del motor	Arranques máximos por día de 24 horas	
	Monofásico	Trifásico
½ HP a 5 HP	100	300
7½ HP a 30 HP	50	100
40 HP y más	-	100

Enfriamiento del motor, clasificaciones de temperatura y duración de funcionamiento

Todo motor CentriPro de 4 pulgadas puede funcionar continuamente en agua de hasta 86° F. Se logrará una vida útil óptima si se mantiene una velocidad de flujo mínima después del motor de 0,25 pies por segundo. Use una camisa de flujo si la velocidad es inferior a 0,25'/seg., si el pozo tiene alimentación superior o cuando se use la bomba en un gran cuerpo de agua o tanque grande.

Los motores con diseño encapsulado de seis (6) pulgadas de 5 – 40 HP funcionarán en agua de hasta 95° F (35° C), sin ninguna reducción de caballos de fuerza, con una velocidad de flujo mínima de 0,5 pies/seg. después del motor. Los motores de 6" de 50 HP y todos los motores de 8" – 10" pueden funcionar en agua de 77° F (25° C) con una velocidad de 5'/seg. después del motor.

Tabla 3 - Velocidades mínimas de flujo para un enfriamiento de motor adecuado

Diámetro de pozo o camisa (pulgadas)	Motor CP o FE de 4" con diámetro de 3,75" 0,25'/seg.	CP = Diám. 5,5" Motor CP 6" 0,5'/seg.	CP = Diám. 7.52" Motor CP 8" 0,5'/seg.
	GPM requerido		
4	1.2	-	-
5	7	-	-
6	13	7	-
7	20	23	-
8	30	41	9
10	50	85	53
12	80	139	107
14	110	198	170
16	150	276	313

Multiplicar gpm por 0,2271 for m3/Hr.

Multiplicar gpm por 3,785 para 1/min.

Trifásico, 4" Motores - Datos Eléctricos, 60 Hertz, 3450 RPM

CentriPro #	HP	kW	Voltios	SF	Carga completa		Factor de servicio		Rotor bloqueado amperios	Línea a línea resistencia
					Amps	Watts	Amps	Watts		
M30430	3	2.2	200	1.15	10.9	2890	12.0	3290	71	0.9-1.3
M50430	5	3.7		1.15	18.3	4850	20.2	5515	113	0.4-0.8
M75430	7.5	5.5		1.15	27.0	7600	30.0	8800	165	0.5-0.6
M30432	3	2.2	230	1.15	9.2	2880	10.1	3280	58.9	1.3-1.7
M50432	5	3.7		1.15	15.7	4925	17.5	5650	93	.85-1.25
M75432	7.5	5.5		1.15	24	7480	26.4	8570	140	.55-.85
M30434	3	2.2	460	1.15	4.8	2920	5.3	3320	30	5.9-6.5
M50434	5	3.7		1.15	7.6	4810	8.5	5530	48	3.58-4.00
M75434	7.5	5.5		1.15	12.2	7400	13.5	8560	87	1.9-2.3
M100434	10	7.5		1.15	15.6	9600	17.2	11000	110	1.8-2.2
M30437	3	2.2	575	1.15	3.7	2850	4.1	3240	21.1	9.4-9.7
M50437	5	3.7		1.15	7.0	5080	7.6	5750	55	3.6-4.2
M75437	7.5	5.5		1.15	9.1	7260	10.0	8310	55	3.6-4.2

Generación II - 3-Alambre, Monofásico, 4" Motores - Datos Eléctricos, 60 Hertz, 3450 RPM

Tipo	Número de orden	HP	kW	Voltios	SF	Carga completa		Factor de servicio		Rotor bloqueado amperios	Resistencia de devanado		Rectángulo de control requerido ¹
						Amps	Watts	Amps	Watts		Prin- cipal (B-Y)	Ar- ranque (R-Y)	
3-Alambre con CSCR (CR) o el rectángulo de control magnético del contactor (bujía métrica)	M30412	3	2.2	230	1.15	Y - 14.3 B - 12.0 R - 5.7	3170	Y - 16.5 B - 13.9 R - 5.6	3620	76	1.1 - 1.4	2.0 - 2.5	CB30412CR or CB30412MC
	M50412	5	3.7			Y - 24.0 B - 19.1 R - 10.2	5300	Y - 27.0 B - 22.0 R - 10.0	6030	101	.62 - .76	1.36 - 1.66	CB50412CR or CB50412MC

¹ Un rectángulo de control de CSCR con un sufijo del CR se puede substituir por una conclusión magnética del modelo del MC.

Y = amarillo, B = negro, R = rojo

6" MOTORES LA MONOFÁSICO Y RECTÁNGULOS DE CONTROL REQUERIDOS

Número de orden	HP	kW	Voltios	Fase	Diá. del motor contra diá. del borde	S.F.	Entrada de info. clasificada		Factor de servicio		Rotor bloqueado amps	Rectángulo de control requerido ^①
							Amps	Watts	Amps	Watts		
6M051	5	3.7	230	1	6" x 6"	1.15	24	4987	27.5	5735	124	CB05MC (3R)
6M071	7.5	5.5					36	7675	41	8950	167	CB07MC (3R)
6M101	10	7.5					50	10135	58	11830	202	CB10MC (3R)
6M151	15	11					72	15180	85	18050	275	CB15MC (3R)

① Los rectángulos de control de la nema 3R substituirán los modelos actuales.

6-10" MOTORES TRIFÁSICOS

Número de orden	HP	kW	Voltios	Fase	Diá. del motor contra diá. del borde	S.F.	Entrada de info. clasificada		Factor de servicio		Rotor bloqueado amps
							Amps	Watts	Amps	Watts	
6M058	5	3.7	200	3	6" x 6"	1.15	17.5	4910	19.5	5610	124
6M052	5	3.7	230				15.0	4857	17.0	5520	110
6M054	5	3.7	460				7.5	4857	8.5	5520	55
6M078	7.5	5.5	200				25.4	7180	28.5	8230	158
6M072	7.5	5.5	230				22.0	7127	26.0	8140	144
6M074	7.5	5.5	460				11.0	7127	13.0	8140	72
6M108	10	7.5	200				33.3	9360	37.2	10700	236
6M102	10	7.5	230				29.0	9407	33.0	10730	208
6M104	10	7.5	460				14.5	9407	16.5	10730	104
6M158	15	11	200				47.4	13700	53.5	15710	347
6M152	15	11	230			42.0	13700	46.0	15800	320	
6M154	15	11	460			21.0	13700	23.0	15800	160	
6M208	20	15	200			61.2	18040	69.5	20820	431	
6M202	20	15	230			54.0	17930	60.0	20650	392	
6M204	20	15	460			27.0	17930	30.0	20650	196	
6M258	25	18.5	200			77.3	22740	87.5	26190	578	
6M252	25	18.5	230			68.0	22470	76.0	25800	530	
6M254	25	18.5	460			34.0	22470	37.0	25800	265	
6M308	30	22	200			91.8	27000	104.0	31120	674	
6M302	30	22	230			82.0	27130	94.0	31160	610	
6M304	30	22	460	41.0	27130	47.0	31160	305			
6M404	40	30	460	3	6" x 6"	1.15	53.0	35530	60.0	41100	340
66M504	50	37	460		6" x 6"		70.0	45210	79.0	52380	465
86M504	50	37	460		8" x 6"		65.0	44360	73.0	51000	435
86M604	60	45	460		8" x 6"		80.0	52850	90.0	60900	510
8M754	75	55	460		8" x 8"		96.0	65900	109.0	76100	650
8M1004	100	75	460		8" x 8"		127.0	87600	145.0	101300	795
8M1254	125	90	460		8" x 8"		160.0	110800	180.0	126000	980
8M1504	150	110	460		8" x 8"		195.0	130700	220.0	152000	1060
10M2004	200	150	460		10" x 10"		235.0	171100	270.0	198600	1260

5-30 HP, los motores de 3 la fase 230 y 460 tienen característica ajustable del voltaje, cambian los enchufes del voltaje al convertido de 230V a la operación 460V. Ningunos de orden del enchufe del dinero suelto son: PLUG-230V o PLUG-460V.

6" MOTORES LA MONOFÁSICO

Número de orden	HP	kW	Voltios	Fase	F.L. Eficacia %	Código del KVA	Resistencia - ohmios		
							R - Y	B - Y	R - B
6M051	5	3.7	230	1	74.8	G	2.172	0.512	2.627
6M071	7.5	5.5			72.9	F	1.401	0.400	1.774
6M101	10	7.5			73.6	E	1.052	0.316	1.310
6M151	15	11			73.7	D	0.678	0.230	0.850

Y = amarillo, B = negro, R = rojo

6-10" MOTORES TRIFÁSICOS

Número de orden	HP	kW	Voltios	Fase	F.L. Eficacia %	Código del KVA	Línea a línea resistencia	Fusible de retraso de tiempo	
								Estándar	Elemento dual
6M058	5	3.7	200	3	75.9	K	0.618	50	25
6M052	5	3.7	230		76.8	K	0.806	45	20
6M054	5	3.7	460		76.8	K	3.050	25	10
6M078	7.5	5.5	200		77.9	J	0.504	80	40
6M072	7.5	5.5	230		78.5	J	0.651	70	30
6M074	7.5	5.5	460		78.5	J	2.430	35	15
6M108	10	7.5	200		79.7	K	0.315	100	50
6M102	10	7.5	230		79.3	K	0.448	90	40
6M104	10	7.5	460		79.3	K	1.619	45	20
6M158	15	11	200		81.7	K	0.213	175	70
6M152	15	11	230		81.7	K	0.312	150	60
6M154	15	11	460		81.7	K	1.074	70	30
6M208	20	15	200		82.7	J	0.189	200	90
6M202	20	15	230		83.2	J	0.258	175	70
6M204	20	15	460		83.2	J	0.861	90	35
6M258	25	18.5	200		82.0	K	0.146	250	110
6M252	25	18.5	230		83.0	K	0.210	225	90
6M254	25	18.5	460		83.0	K	0.666	110	45
6M308	30	22	200		82.9	J	0.119	300	125
6M302	30	22	230		82.5	K	0.166	250	100
6M304	30	22	460		82.5	K	0.554	125	50
6M404	40	30	460		84.0	H	0.446	175	70
66M504	50	37	460		82.5	J	0.388	225	90
86M504	50	37	460		84.1	H	0.331	200	90
86M604	60	45	460		84.7	H	0.278	250	110
8M754	75	55	460		84.9	H	0.218	300	125
8M1004	100	75	460		85.2	H	0.164	400	175
8M1254	125	90	460		84.2	G	0.132	500	225
8M1504	150	110	460		85.6	G	0.115	600	250
10M2004	200	150	460		87.2	F	0.0929	800	350

DESBALANCE DE POTENCIA TRIFASICA

Se recomienda un suministro trifásico completo incluyendo tres transformadores individuales o un transformador trifásico. Se pueden usar conexiones en estrella o en triángulo “abierto” empleando sólo dos transformadores, pero hay más posibilidad de que produzcan un rendimiento inadecuado, disparo por sobrecarga o falla prematura del motor debido al desbalance de corriente.

Mida la corriente en cada uno de los tres conductores del motor y calcule el desbalance de corriente en la forma que se explica abajo. Si el desbalance de corriente es del 2% o menos, deje los conductores tal como están conectados.

Si el desbalance de corriente es de más del 2%, hay que verificar las lecturas de corriente en cada derivación empleando cada una de las tres conexiones posibles. Enrolle los conductores del motor en el arrancador en la misma dirección para evitar una inversión del motor.

Para calcular el porcentaje de desbalance de corriente:

- Sume los tres valores de corriente de línea.
- Divida la suma por tres, con lo cual se obtiene la corriente promedio.
- Seleccione el valor de corriente más alejado de la corriente promedio (ya sea alto o bajo).
- Determine la diferencia entre este valor de corriente (más alejado del promedio) y el promedio.
- Divida la diferencia por el promedio.

Multiplique el resultado por 100 para determinar el porcentaje de desbalance.

El desbalance de corriente no debe exceder el 5% con la carga del factor de servicio o el 10% con la carga de entrada nominal. Si el desbalance no puede corregirse enrollando los conductores, la causa del desbalance debe determinarse y corregirse. Si, en las tres conexiones posibles, la derivación más alejada del promedio está en el mismo conductor de potencia, entonces la mayoría del desbalance proviene de la fuente de potencia.

Contacte a la compañía de electricidad local para solucionar el desbalance.

Terminales del arrancador	Conexión 1			Conexión 2			Conexión 3		
	L1	L2	L3	L1	L2	L3	L1	L2	L3
	$\frac{\perp}{\text{T}}$	$\frac{\perp}{\text{T}}$	$\frac{\perp}{\text{T}}$	$\frac{\perp}{\text{T}}$	$\frac{\perp}{\text{T}}$	$\frac{\perp}{\text{T}}$	$\frac{\perp}{\text{T}}$	$\frac{\perp}{\text{T}}$	$\frac{\perp}{\text{T}}$
Conductores del motor	R	B	Y	Y	R	B	B	Y	R
	T3	T1	T2	T2	T3	T1	T1	T2	T3

Ejemplo:

T3-R = 51 amperios
 T1-B = 46 amperios
 T2-Y = 53 amperios
 Total = 150 amperios
 $\div 3 = 50$ amperios
 $- 46 = 4$ amperios
 $4 \div 50 = .08$ u **8%**

T2-Y = 50 amperios
 T3-R = 48 amperios
 T1-B = 52 amperios
 Total = 150 amperios
 $\div 3 = 50$ amperios
 $- 48 = 2$ amperios
 $2 \div 50 = .04$ ó **4%**

T1-B = 50 amperios
 T2-Y = 49 amperios
 T3-R = 51 amperios
 Total = 150 amperios
 $\div 3 = 50$ amperios
 $- 49 = 1$ amperios
 $1 \div 50 = .02$ ó **2%**

Identificación y resolución de problemas



DESCONECTE Y BLOQUEE LA CORRIENTE ELÉCTRICA ANTES INTENTAR DAR SERVICIO. DE LO CONTRARIO, SE PUEDE PRODUCIR ELECTROCHOQUE, QUEMADURAS O LA MUERTE.

Síntoma	Causa probable	Acción recomendada
EL MOTOR DE LA BOMBA NO ESTÁ FUNCIONANDO	1. Se disparó el protector térmico del motor <ul style="list-style-type: none"> a. Caja de control incorrecta b. Conexiones eléctricas incorrectas o defectuosas c. Protector térmico defectuoso d. Baja tensión e. La temperatura ambiente de la caja de control/arrancador es demasiado alta f. La bomba está atascada con materias extrañas g. Sumersión inadecuada 	1. Deje que el motor se enfríe, el protector térmico se reposicionará automáticamente <ul style="list-style-type: none"> a – e. Solicite que un electricista calificado inspeccione y repare, según sea requerido. f. Retire la bomba, límpiela, ajústela, fije la profundidad según sea requerido g. Confirme la sumersión adecuada de la unidad en el líquido a bombearse.
	2. Cortacircuitos abierto o fusible quemado	2. Solicite que un electricista calificado inspeccione y repare, según sea requerido.
	3. La fuente de energía es inadecuada para la carga	3. Verifique el suministro o la capacidad del generador
	4. Daño del aislamiento del cable de alimentación 5. Empalme defectuoso del cable de alimentación	4 – 5. Solicite que un electricista calificado inspeccione y repare, según sea requerido.
LA BOMBA ENTREGA POCO O NADA DE LÍQUIDO	1. Válvula de retención defectuosa o instalada incorrectamente	1. Inspeccione la válvula de retención, repárela según sea necesario
	2. La bomba está atascada con aire	2. Arranque y detenga la bomba sucesivamente hasta que haya flujo
	3. Elevación demasiado alta para la bomba	3. Verifique el rendimiento de la unidad, consulte con el agente.
	4. La bomba está atascada con materias extrañas	4. Retire la bomba límpiela, ajústela, fije la profundidad según sea requerido
	5. La bomba no está completamente sumergida	5. Verifique la recuperación del pozo, baje la bomba si es posible
	6. El pozo contiene demasiado aire o gases	6. Si los arranques y paradas sucesivos no solucionan el problema, el pozo contiene demasiado aire o gases
	7. Desgaste excesivo de la bomba	7. Retire y repare la bomba, según sea necesario
	8. Rotación incorrecta del motor – unidades trifásicas únicamente.	8. Invierta dos conductores eléctricos cualquiera del motor

GARANTÍA LIMITADA DE GOULDS WATER TECHNOLOGY

Esta garantía corresponde para todos los productos de sistemas de agua fabricados por Goulds Water Technology.

Toda parte o partes que resultaren defectuosas dentro del período de garantía serán reemplazadas durante dicho período de garantía sin cargo para el comerciante. Tal período de garantía se extiende por doce (12) meses a partir de la fecha de instalación, o dieciocho (18) meses a partir de la fecha de fabricación, la que se cumpla primero.

El comerciante que considere que existe lugar a un reclamo de garantía deberá ponerse en contacto con el distribuidor autorizado de Goulds Water Technology del cual adquiriera la bomba y brindar información detallada con respecto al reclamo. El distribuidor está autorizado a liquidar todos los reclamos por garantía a través del Departamento de Servicios a Clientes de Goulds Water Technology.

La presente garantía excluye:

- (a) La mano de obra, el transporte y los costos relacionados en los que incurra el comerciante;
- (b) los costos de reinstalación del equipo reparado;
- (c) los costos de reinstalación del equipo reemplazado;
- (d) daños emergentes de cualquier naturaleza; y
- (e) el reembolso de cualquier pérdida causada por la interrupción del servicio.

A los fines de esta garantía, los términos "Distribuidor", "Comerciante" y "Cliente" se definen como sigue:

- (1) "Distribuidor" es aquel individuo, sociedad, corporación, asociación u otra entidad jurídica que opera entre Goulds Water Technology y el comerciante para la compra, consignación o contratos de venta de las bombas en cuestión.
- (2) "Comerciante" es todo individuo, sociedad, corporación asociación u otra entidad jurídica que realiza negocios de venta o alquiler-venta (*leasing*) de bombas a los clientes.
- (3) "Cliente" es toda entidad que compra o adquiere bajo la modalidad de *leasing* las bombas en cuestión de un comerciante. El término "cliente" puede significar un individuo, sociedad, corporación, sociedad de responsabilidad limitada, asociación o cualquier otra entidad jurídica con actividades en cualquier tipo de negocios.

LA PRESENTE GARANTÍA SE EXTIENDE AL COMERCIANTE ÚNICAMENTE.



Xylem, Inc.
2881 East Bayard Street Ext., Suite A
Seneca Falls, NY 13148
Teléfono: (866) 325-4210
Fax: (888) 322-5877
www.xyleminc.com/brands/gouldswatertechnology

Goulds es una marca registrada de Goulds Pumps, Inc. y se utiliza bajo licencia.
© 2012 Xylem Inc. IM103 Revisión Número 3 Julio 2012

Pompes submersibles de 5 po et plus

DIRECTIVES D'INSTALLATION ET D'UTILISATION

TABLE DES MATIÈRES

SUJET	PAGE
Consignes de sécurité	35
1. Préparatifs d'installation.....	36
2. Installation.....	36
3. Alimentation électrique	37
4. Mise en service de la pompe.....	39
5. Documentation et manuel.....	39
6. Accessoires.....	39
Montage monophasé.....	8
Montage triphasé	9
Données techniques.....	40
Triphasé, 4" moteurs - données électriques.....	42
Génération II - à 3 fils, le monophasé, 4" moteurs - données électriques	42
6" moteurs monophasé et boîtes de contrôle requises	43
6-10" moteurs triphasés.....	43
6" moteurs monophasé	44
6-10" moteurs triphasés.....	44
Déséquilibre du courant triphasé	45
Diagnostic des anomalies.....	46
Garantie limitée.....	48

Informations pour le propriétaire

N° de modèle de la pompe : _____

N° de série de la pompe : _____

N° de modèle du moteur : _____

N° de série du moteur : _____

Détaillant : _____

N° de téléphone du détaillant : _____

Date d'achat : _____

Date d'installation : _____

Dole est une marque déposée de la Eaton Corporation.

Cla-Val est une marque de commerce de Griswold Ind.

CONSIGNES DE SÉCURITÉ

AFIN DE PRÉVENIR LES BLESSURES GRAVES OU MORTELLES ET LES DOMMAGES MATÉRIELS IMPORTANTS, LIRE ET SUIVRE TOUTES LES CONSIGNES DE SÉCURITÉ FIGURANT DANS LE MANUEL ET SUR LA POMPE.

LE PRÉSENT MANUEL A POUR BUT DE FACILITER L'INSTALLATION ET L'UTILISATION DE LA POMPE ET DOIT ÊTRE CONSERVÉ PRÈS DE CELLE-CI.



Le symbole ci-contre est un **SYMBOLE DE SÉCURITÉ** employé pour signaler les mots-indicateurs dont on trouvera la description ci-dessous. Sa présence sert à attirer l'attention afin d'éviter les blessures et les dommages matériels.



Prévient des risques qui **VONT** causer des blessures graves, la mort ou des dommages matériels importants.



Prévient des risques qui **PEUVENT** causer des blessures graves, la mort ou des dommages matériels importants.



Prévient des risques qui **PEUVENT** causer des blessures ou des dommages matériels.

AVIS: SERT À ÉNONCER LES DIRECTIVES SPÉCIALES DE GRANDE IMPORTANCE QUE L'ON DOIT SUIVRE. LIRE SOIGNEUSEMENT CHAQUE DIRECTIVE ET AVERTISSEMENT AVANT D'EFFECTUER TOUT TRAVAIL SUR LA POMPE.

N'ENLEVER AUCUN AUTOCOLLANT DE SÉCURITÉ.

Avis important : lire les consignes de sécurité avant de procéder au câblage.



L'installation électrique doit être effectuée par un technicien qualifié. Il faut toujours suivre les stipulations du code provincial ou national de l'électricité pertinent et les règlements locaux. Adresser toute question relative au code à un inspecteur en électricité. Le non-respect du code et des politiques de santé et de sécurité au travail peut entraîner des blessures et des dommages matériels. L'observation des directives fournies par le fabricant peut se traduire par un choc électrique, un incendie, des blessures ou la mort, ainsi que par des dommages matériels, des performances non satisfaisantes et l'annulation de la garantie du fabricant.



Les pompes standard sont conçues pour l'eau potable des puits et des réservoirs de stockage, mais non pour l'eau libre, les piscines, les liquides dangereux ni les endroits pouvant contenir des gaz inflammables. Les puits doivent être aérés selon les codes locaux.

Seules les pompes de classe 1, division 1, peuvent servir pour les liquides dangereux et les endroits pouvant contenir des gaz inflammables. *Le nom des organismes de normalisation pertinents figure sur la plaque signalétique des pompes en question ou dans les feuillets du catalogue décrivant ces pompes.*



Verrouiller la source de courant en position hors circuit avant de procéder à l'installation ou à l'entretien de tout dispositif électrique. Le protecteur thermique de certains moteurs de pompe coupe le courant lorsqu'il y a surcharge thermique et le rétablit automatiquement, redémarrant ainsi la pompe inopinément.



Ne pas lever, transporter ni suspendre la pompe par le câble d'alimentation : l'endommagement du câble pourrait causer un choc électrique, des brûlures ou la mort.



N'utiliser que du fil de cuivre torsadé pour l'alimentation et la mise à la terre du moteur et de la pompe. Le calibre du fil de terre doit être au moins égal à celui des fils d'alimentation. Les fils devraient tous être chromocodés pour faciliter l'entretien et le diagnostic des anomalies.



Poser le fil de terre et les autres fils suivant les prescriptions du code provincial ou national de l'électricité pertinent et les règlements locaux.



Installer un sectionneur tout conducteur si le code l'exige.



Le nombre de phases et la tension du courant doivent convenir à tout le matériel. Un nombre de phases et une tension inappropriés annulent la garantie et peuvent causer un incendie et des dommages au moteur et aux commandes.



Les commandes triphasées des pompes submersibles doivent assurer une protection rapide de classe 10 contre la surcharge.



Chaque jonction de fils doit être étanche. Si l'on emploie un nécessaire de jonction («kit»), suivre les directives du fabricant.



Choisir la boîte de jonction du type et de la classe NEMA convenant au type et au lieu d'utilisation. La boîte doit assurer une jonction de fils sûre et étanche.



Omettre la mise à la terre permanente de la pompe, du moteur et des commandes avant le branchement à la source de courant peut causer un choc électrique, des brûlures ou la mort.



Veiller à bien refroidir le moteur (v. la table 3 et Température et vitesse d'écoulement de l'eau).



La pompe submersible a été évaluée pour le pompage de l'eau seulement.



Ne jamais dépasser la pression nominale maximale du réservoir de stockage pour ne pas endommager celui-ci, annuler la garantie ni causer de graves dangers.

1. PRÉPARATIFS D'INSTALLATION

Avant l'installation de la pompe, on devrait nettoyer et désinfecter le puits et en maximiser le débit par surpompage.

Inscrire les numéros de modèle et de série de la pompe et du moteur et les autres renseignements pertinents à la rubrique « Informations pour le propriétaire », dans le manuel. Agrafer sa carte d'affaires au manuel et attacher ensuite celui-ci au réservoir ou à la boîte de commande, dans un endroit sec, ou le remettre au propriétaire.

S'assurer que la tension de la bobine (démarreurs triphasés) et d'entrée du moteur ainsi que les tension de commande et d'alimentation correspondent. L'installation électrique doit être réalisée par du personnel qualifié.

Inspecter tous les composants pour s'assurer qu'ils n'ont pas été endommagés pendant le transport et qu'il n'en manque pas : tête de pompage et moteur, boîte de commande du moteur monophasé ou démarreur triphasé à limiteurs de surcharge, réservoir à pression, pressostat (manostat), câble à fils en cuivre, soupape de décharge (si requise), dispositif antitorsion (si requis), tuyau ainsi que raccords et accessoires de tuyauterie.

2. INSTALLATION

2.1. Installations types

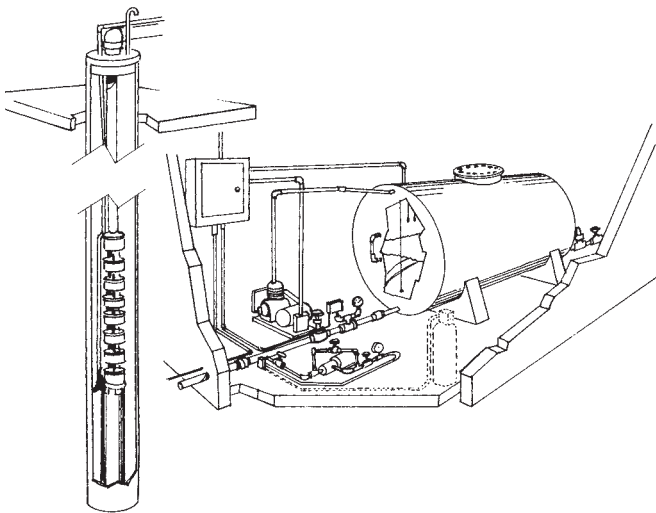


Figure 1

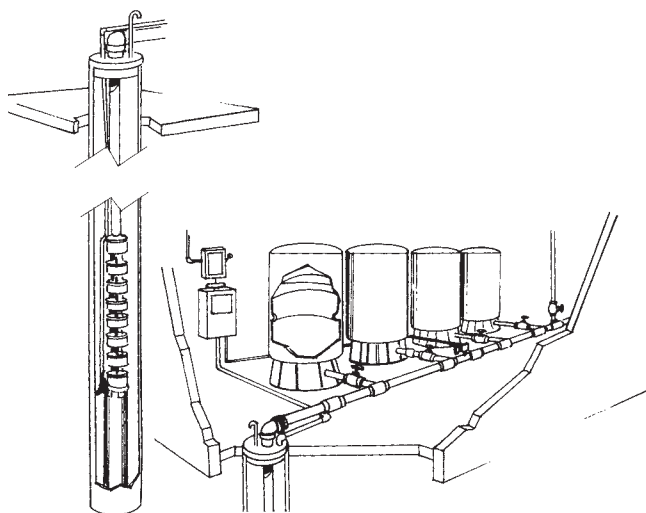
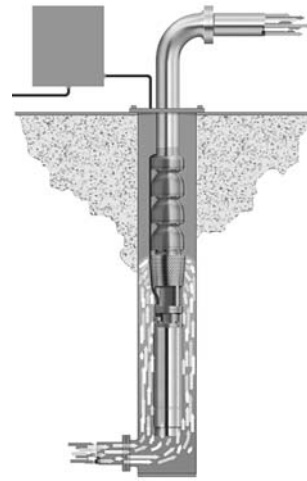
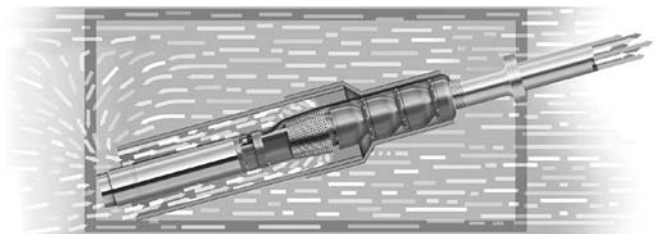


Figure 2



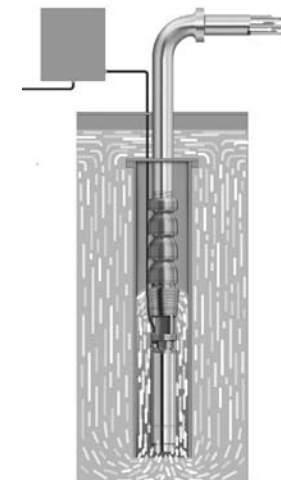
Pompe en cuve d'aspiration (« can »)

Figure 3



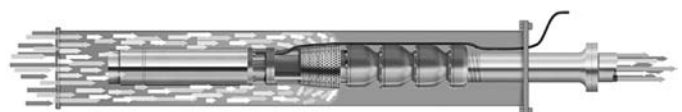
Pompe avec manchon d'accélération de l'écoulement, en réservoir

Figure 4



Pompe avec manchon d'accélération de l'écoulement, en puits de grand diamètre

Figure 5



Pompe à l'horizontale en cuve d'aspiration

Figure 6

2.2. Fixation de la tête de pompage au moteur

Ne jamais faire fonctionner la pompe à sec afin de ne pas endommager les pièces internes. Pour les moteurs triphasés, il est suggéré de vérifier s'ils tournent dans le sens spécifié pour la pompe avant de les fixer à cette dernière. Les moteurs monophasés de 4 et de 6 po devraient tourner en sens antihoraire, vus du bout de l'arbre. En raison du fort couple de démarrage du moteur, l'immobiliser, sans l'endommager, de façon à l'empêcher de tourner sur lui-même.

Enlever le protège-câble de la tête de pompage. Si un pare-sable est inclus dans les pièces de montage emballées avec le moteur, le poser sur l'arbre de moteur. Fixer la tête de pompage au moteur. Bien replacer les fils d'alimentation, puis reposer le protège-câble.

2.3. Pose du ou des clapets de non-retour

L'orifice de refoulement de chaque pompe comporte un filetage NPT. Si la pompe est dépourvue d'un clapet de non-retour intégré, on doit poser un clapet de non-retour à ressort à moins de 7,5 m (25 pi) de l'orifice de refoulement de la pompe, sous le seuil de rabattement de la source de liquide. Pour les puits très profonds, les fabricants de moteur recommandent la pose d'un clapet de non-retour supplémentaire à tous les 61 à 76 m (200-250 pi) sur la partie verticale de la conduite de refoulement. Ces clapets servent à maintenir la pression dans le système et à empêcher la rotation en sens inverse de la pompe, les coups de bélier et les poussées axiales (vers le haut).

La **rotation en sens inverse** est due au passage de l'eau en sens inverse dans la pompe et peut provoquer l'usure prématurée du palier de butée de la pompe, ainsi que la torsion et le bris de l'arbre quand le moteur démarre alors qu'il est en train de tourner en sens inverse.

Les **coups de bélier** surviennent lorsque le clapet de non-retour inférieur est à plus de 9,1 m (30 pi) au-dessus du niveau statique, ou bien quand il fuit tandis que le clapet situé plus haut ne fuit pas. Cela produit une dépression (vide) partielle dans le tuyau de refoulement. Au démarrage subséquent, l'eau pénètre alors dans le tuyau à une vitesse très élevée, heurte le clapet supérieur avec force, donnant ainsi une impulsion à l'eau retenue par ce dernier et causant un choc hydraulique. Ce choc, ou coup de bélier, peut entraîner la rupture de tuyaux et de joints et endommager la pompe et le moteur. Il produit un bruit facilement décelable, et, dès qu'on l'entend, on devrait arrêter la pompe et demander à l'installateur de résoudre le problème.

Les **poussées axiales** sont imprimées vers le haut aux roues et à l'arbre de moteur. Elles se produisent au démarrage quand la hauteur de charge est nulle parce qu'il n'y a pas de clapet de non-retour ou parce que celui-ci fuit, ou bien quand la hauteur de charge du système est très faible en raison du niveau statique élevé de l'eau. Les poussées axiales répétées peuvent entraîner la défaillance prématurée de la pompe et du moteur. *Voir 4.2.*

2.4. Mise en place de la pompe

Si l'on emploie un dispositif antitorsion, le poser selon les directives du fabricant du dispositif. Dans le cas des puits de grand diamètre ou alimentés par le haut dont l'écoulement de l'eau est trop lent pour refroidir le moteur, poser un manchon d'accélération de l'écoulement de l'eau sur la pompe. *Voir la table 3 et Température et vitesse d'écoulement de l'eau.*

Raccorder la tuyauterie à la tête de refoulement de la pompe. La pression de refoulement des pompes submersibles peut être très élevée. On doit donc consulter son fournisseur de tuyaux pour déterminer le matériau et la série de la mieux appropriés à chaque installation quant à la tuyauterie.

Descendre la pompe dans le puits, à au moins 10 pi du fond, mais au-dessus des cribles. Protéger les fils du frottement contre le cuvelage. Poser un adaptateur de tête de puits ou autre dispositif du même type sur la tête de puits. S'adresser au fabricant ou au vendeur de l'adaptateur ou du dispositif en question pour obtenir les directives d'installation pertinentes.

Avec du ruban isolant (chatterton) étanche, fixer les fils d'alimentation au tuyau de refoulement à tous les 10 pi. S'assurer que le ruban ne se détachera pas, car il serait aspiré par la pompe et en bloquerait l'entrée.

2.5. Soupape de décharge

Une soupape de décharge est requise dans tout système ayant une pression supérieure à 100 lb/po² ou une hauteur manométrique totale (HMT) dépassant 230 pi. Dans un endroit où une fuite ou une décharge de fluide sous pression causerait des dommages, poser sur la soupape de décharge une canalisation évacuant le fluide en un lieu à l'abri des risques de dommage.

2.6. Réservoir avec précompression et pressostat (s'ils sont utilisés)

Dans les installations à réservoir unique, on devrait poser le pressostat près du té du réservoir et, pour les réservoirs multiples, aussi près que possible du centre des réservoirs. Afin de réduire la hauteur équivalente de perte de charge (par frottement) et la pression différentielle dans le tuyau collecteur-répartiteur et, ainsi, d'empêcher le pressostat de cliqueter à répétition, on devrait choisir un collecteur-répartiteur dont le calibre est de 1/2 fois à 2 fois celui du tuyau de refoulement de la pompe. Excepté les robinets-vannes entièrement ouverts, il ne devrait y avoir entre le pressostat et le(s) réservoir(s) ni filtre, ni raccord, ni accessoire causant une perte de charge élevée.

2.7. Réglage de la pression de l'air précomprimé du réservoir (s'il y en a un)

S'assurer que le réservoir est vide. Utiliser un manomètre de haute qualité pour vérifier la pression de l'air précomprimé du réservoir. Celle-ci devrait être inférieure de 2 lb/po² à la pression de démarrage de la pompe. Par exemple, elle serait de 28 lb/po² dans un système dont la plage de pression de service est de 30-50 lb/po².

Installer le réservoir, le pressostat et la soupape de décharge dans un endroit où la température dépasse toujours 34 °F. Placer le réservoir là où toute fuite ne pourra causer de dommages matériels.

3. ALIMENTATION ÉLECTRIQUE

3.1. Généralités

Nota : ne pas brancher l'appareil à la source de courant ni le mettre en marche tant que les tuyaux et les fils ne sont pas tous raccordés et que la pompe n'est pas remplie d'eau.

On doit toujours suivre les prescriptions du code provincial ou national de l'électricité.

L'installation électrique doit être réalisée par du personnel qualifié. Dans certaines régions, la loi exige que l'installation soit effectuée uniquement par des «installateurs agréés».

Il est suggéré d'utiliser uniquement du fil de cuivre. En choisir le calibre à l'aide des tables du manuel MAID (*Motor Application and Installation Data*) d'ITT ou du code provincial ou national de l'électricité. En cas de divergence, le code de l'électricité pertinent prévaut.

3.2. Jonction du câble d'alimentation aux fils de moteur

Quand on joint les fils de moteur au câble d'alimentation, la jonction doit être étanche. Le joint peut être effectué avec une gaine isolante thermorétractible, du ruban isolant étanche ou un raccord à compression. Coupler les fils de même couleur ou marquer les fils du câble d'alimentation pour s'assurer qu'ils seront connectés correctement à la boîte de commande.

A. Joints à gaine isolante thermorétractible

Employer le nécessaire de jonction type à gaines thermorétractibles comme suit : dénuder le bout des fils sur une longueur de ½ po (il vaut mieux échelonner les joints), y enfiler une gaine isolante (une par joint), joindre les fils de moteur aux fils de câble d'alimentation correspondants avec un raccord à sertir, sertir les extrémités de chaque raccord, puis recouvrir celui-ci avec la gaine et chauffer cette dernière à partir du centre. Les gaines contiennent un produit d'étanchéité et une colle dont l'excédent sortira par les extrémités de la gaine pendant son rétrécissement. L'ensemble forme un joint étanche, très résistant. Ne pas surchauffer les gaines pour ne pas les brûler.

B. Joints à ruban isolant étanche

a) Dénuder le bout des fils sur une longueur suffisante pour y poser un raccord tubulaire (type préférable). Si le raccord est trop mince, l'épaissir en y enroulant du chatterton en caoutchouc jusqu'à ce qu'il ait le même diamètre que la gaine du fil.

b) Enrouler chaque joint de deux couches de chatterton en caoutchouc (tendre le ruban de façon à empêcher la formation de bulles d'air) : la première couche doit dépasser de deux pouces chaque extrémité de la gaine isolante, et la seconde, de deux pouces chaque extrémité de la première couche de chatterton.

c) Enrouler ensuite deux couches (comme à l'étape b) ci-dessus) de chatterton Scotch n° 33 ou l'équivalent sur le chatterton en caoutchouc, chaque couche dépassant la précédente d'au moins deux pouces.

C. Joints à raccord à compression

Voir les directives fournies avec le jeu de raccords à compression ou consulter le fournisseur.

3.3. Pose de la boîte de commande

Les boîtes de commande trifilaires monophasées peuvent être montées à la verticale, à l'intérieur comme à l'extérieur, et être utilisées à une température de - 10 à + 50 °C (14 à 122 °F). Choisir un endroit ombragé, sec et suffisamment dégagé pour permettre la dépose du couvercle.

3.4. Vérification de la tension

S'assurer que la tension d'alimentation et celle du moteur (v. plaque signalétique) sont pareilles. Les bobines du démarreur triphasé sont très sensibles à la tension. Il faut toujours vérifier la tension d'alimentation réelle avec un voltmètre. Les basses et hautes tensions endommageront le moteur et les commandes et ne sont pas couvertes par la garantie.

3.5. Mise hors tension du système

Employer un sectionneur quand le code l'exige. Mettre et verrouiller le disjoncteur ou le sectionneur en position HORS circuit pour prévenir le démarrage accidentel de la pompe avant qu'elle soit prête à mettre en service.

3.6. Connexion à la boîte de commande monophasée ou au démarreur triphasé



Ne pas brancher l'appareil à la source de courant ni le mettre en marche tant que les tuyaux et les fils ne sont pas tous raccordés, sauf pour vérifier rapidement le sens de rotation du moteur triphasé avant de fixer celui-ci à la tête de pompage. Après cette vérification, mettre et verrouiller le disjoncteur ou le sectionneur en position HORS circuit!

S'assurer que le disjoncteur ou le sectionneur est HORS circuit avant de connecter les fils à la source de courant. On doit toujours suivre les prescriptions du code provincial ou national de l'électricité.

A. Câblage de la boîte de commande trifilaire monophasée



Brancher les fils de moteur chromocodés sur les bornes de la boîte de commande comme suit : le jaune sur Y, le rouge sur R, le noir sur B et le vert (ou le fil dénudé) sur la vis de terre (verte).

Connecter les fils reliant les bornes « Charge » du pressostat aux bornes L1 et L2 de la boîte de commande. Relier la borne de terre du pressostat à celle de la boîte de commande par un fil de terre. Voir la figure 7 ou 8.

B. Câblage du démarreur triphasé



Brancher les fils de moteur sur les bornes T1, T2 et T3 du démarreur triphasé. Connecter le fil de terre à la borne de terre du démarreur. Pour brancher le pressostat (s'il y en a un) au démarreur, suivre les directives du fabricant du démarreur. Voir la figure 9 ou 10.

3.7. Connexion à la source de courant



Pour alimenter la pompe en électricité, utiliser un circuit de dérivation distinct à fusible(s) ou à disjoncteur. Installer un sectionneur principal bien en vue et facile à atteindre depuis le pressostat et le réservoir.

Alimentation monophasée

Avec pressostat – relier les bornes « Ligne » du pressostat aux bornes du sectionneur (s'il y en a un), puis à celles du panneau de disjoncteurs.

Sans pressostat – relier les bornes L1 et L2 de la boîte de commande aux bornes du sectionneur (s'il y en a un), puis à celles du panneau de disjoncteurs.

Alimentation triphasée

Relier les bornes L1, L2, L3 et de terre du démarreur aux bornes du sectionneur, puis à celles du panneau de disjoncteurs.

Les moteurs triphasés submersibles requièrent des limiteurs de surcharge rapides de classe 10. Utiliser des démarreurs NEMA Furnas de classe 14 et des limiteurs de surcharge réglables ESP100 de classe 10, ou bien des démarreurs Furnas de classe 16 dans lesquels on posera des dispositifs de protection contre la surcharge (DPS) de série K, compensés en fonction de la température ambiante. Ces DPS doivent être achetés séparément. Voir les manuels MAID et AIM pour les autres DPS acceptables.

Nota : si l'on remplace une pompe à turbine(s) à moteur hors puits ou toute autre pompe à moteur hors puits par une pompe submersible, on doit changer les limiteurs de surcharge de classe 20 du démarreur pour des limiteurs de surcharge rapides de classe 10 afin de bien protéger le moteur contre la surcharge. L'emploi de limiteurs de classe 20 annule la garantie des moteurs submersibles.

Dans les installations à moteur triphasé, on doit vérifier si le moteur tourne dans le bon sens et s'il y a différence de phases. Pour inverser le sens de rotation, intervertir deux fils d'alimentation du moteur. Voir les directives de vérification du déséquilibre du courant triphasé dans les Données techniques. La non-vérification et la non-rectification du déséquilibre du courant triphasé peuvent causer la défaillance prématurée du moteur et le déclenchement intempestif du limiteur de surcharge.

4. MISE EN SERVICE DE LA POMPE

4.1. Étranglement du tuyau de refoulement à la mise en service

Afin d'empêcher les poussées axiales (vers le haut) d'abîmer coussinets et roulements (pompe et moteur), réduire la section de passage du tuyau de refoulement de la pompe à peu près au tiers ($\frac{1}{3}$) avec un robinet à tournant sphérique, à soupape ou Cla-Val^{MD} avant la mise en service. On pourra ouvrir le robinet davantage quand le débit sera régulier. Ne pas dépasser le débit (en gal US/min) maximal indiqué dans la courbe de performances de la pompe. Si l'on ne connaît pas le débit en question, consulter le distributeur. Le démarrage ou l'utilisation de la pompe à une hauteur de charge faible ou nulle est la principale cause de défaillance prématurée.

4.2. Étranglement prévenant les poussées axiales avec un niveau statique élevé

Un puits de niveau statique élevé peut forcer le débit de refoulement hors de la limite droite de la courbe de performances ou en dehors de la «plage de service recommandée» de la pompe. Il est donc suggéré d'employer un réducteur de débit Dole^{MD} ou un robinet à tournant sphérique pour étrangler la section de passage du tuyau de refoulement et éliminer les poussées axiales pouvant endommager la pompe et le moteur. On doit maintenir le débit maximal dans la plage de service recommandée. Si l'on utilise un robinet à tournant sphérique, en régler l'ouverture, en enlever la poignée et l'attacher au tuyau avec du ruban adhésif, puis fixer au robinet une étiquette volante portant la mention : «Ne pas ouvrir ce robinet, car cela pourrait endommager la pompe.» On peut poser un manomètre entre la pompe et le robinet et régler l'ouverture de celui-ci de façon à ce que la valeur de HMT ou de débit soit dans la plage recommandée. On peut aussi régler l'étranglement par calcul en suivant la méthode de détermination du débit de refoulement figurant dans la section technique du catalogue.

4.3. Mise en marche de la pompe

Entrouvrir un robinet (de vidange de chaudière ou autre) du système, mettre le disjoncteur EN circuit et faire fonctionner la pompe jusqu'à ce que l'eau pompée soit limpide. Dans le cas des pompes à moteur triphasé, en vérifier le sens de rotation pour s'assurer d'obtenir le maximum de débit et de pression.

Vérifier l'intensité du courant pour s'assurer qu'elle se situe dans la plage d'intensité figurant sur la fiche technique ou la plaque signalétique du moteur : elle devrait être comprise entre l'intensité d'entrée nominale et l'intensité maximale avec facteur de surcharge. Une intensité élevée peut être due à une basse ou à une haute tension. Inscrive dans le manuel l'intensité mesurée (en plus des numéros de modèle et de série de la pompe et du moteur). Dans les circuits triphasés, on doit vérifier s'il y a déséquilibre du courant pour s'assurer que l'alimentation électrique est équilibrée. Joindre au manuel une copie de la feuille de vérification du déséquilibre du courant triphasé pour consultation ultérieure.

Systèmes à pressostat ou à réservoir avec précompression – une fois l'eau devenue limpide, fermer le robinet, puis faire monter la pression. Si le pressostat est bien réglé, la pompe s'arrêtera lorsque la pression pré réglée sera atteinte. Ouvrir des robinets, puis faire fonctionner la pompe pendant quelques cycles pour vérifier le fonctionnement du pressostat et s'assurer que la plage de pression de service est correcte. Vérifier l'étanchéité de chaque raccord et accessoire de tuyauterie.

S'il s'agit d'un système à commande manuelle, arrêter la pompe.

5. DOCUMENTATION ET MANUEL

Remettre au propriétaire le présent manuel et une carte d'affaires. La pose d'un autocollant portant le nom et le numéro de téléphone du détaillant sur le réservoir ou la boîte de commande est un excellent outil de promotion des affaires!

Félicitations pour l'installation professionnelle d'une pompe submersible!

6. ACCESSOIRES

Réservoirs à pression

Choisir la grosseur du réservoir de façon à permettre aux moteurs de pompe de plus de 2 hp de fonctionner durant au moins 2 min à chaque remplissage. Si la pompe a un débit moyen de 80 gal US/min, il faut un réservoir d'une «capacité utile» de 160 gal US. Le catalogue des produits d'alimentation en eau (*Water Products*) fournit les données techniques des réservoirs à pression.

Protections bas niveau d'eau

Une protection bas niveau d'eau devrait être utilisée pour les puits à faible débit. Demander au distributeur de l'information sur les protections bas niveau d'eau SymCom.

Tableaux de commande

Le service à la clientèle présente des propositions de prix pour tout tableau de commande fabriqué sur demande. En envoyer les spécifications par écrit au distributeur agréé, qui les fera parvenir au groupe de service à la clientèle pertinent. Les spécifications écrites devraient inclure la puissance du moteur de pompe (en hp), la tension, le nombre de phases, le type de boîtier NEMA désiré, la séquence des opérations, les options spéciales requises et une brève note décrivant les caractéristiques logiques spéciales pour toute alarme, minuterie ou installation à double pompe. Le nom et le numéro de téléphone de la personne-ressource pouvant répondre aux questions du fabricant sont également appropriés et accéléreront la présentation des propositions de prix.

Données techniques

VALEURS DE RÉSISTANCE D'ISOLEMENT DU MOTEUR

Valeurs mesurées normalement en ohms et en mégohms entre chaque fil de moteur et le fil de terre, et ce, pour TOUS les moteurs.

ATTENTION Pour mesurer la résistance d'isolement, mettre le disjoncteur hors circuit et débrancher tous les fils du pressostat ou de la boîte de commande (à déconnexion rapide). Brancher un fil de l'ohmmètre à un fil de moteur et l'autre, au tuyau de refoulement en métal descendant dans le puits ou à une bonne prise de terre. Échelle «R x 100K»

État du moteur et des fils	Valeurs en ohms	Valeurs en mégohms
Moteur neuf, sans câble d'alimentation	20 000 000 (et plus)	20,0
Moteur usagé réutilisable (en puits)	10 000 000 (et plus)	10,0
Moteur en puits – valeurs mesurées : câble d'alimentation plus moteur		
Moteur neuf	2 000 000 (et plus)	2,0
Moteur dans un état raisonnablement bon	500 000 à 2 000 000	0,5 à 2,0
Moteur ou câble d'alimentation peut-être endommagé <i>Ne pas sortir la pompe du puits pour cela.</i>	20 000 à 500 000	0,02 à 0,5
Moteur ou câble d'alimentation endommagé <i>Sortir la pompe du puits et effectuer les réparations.</i>	10 000 à 20 000	0,01 à 0,02
Moteur ou câble d'alimentation défectueux <i>Sortir la pompe du puits et effectuer les réparations.</i>	Moins de 10 000	0 à 0,01

Sélection d'une génératrice

Nota : pour toute question sur la génératrice, en consulter le fabricant.

Les valeurs recommandées dans les tables de sélection sont basées sur le facteur de surcharge (FS) du moteur pour les génératrices types à fonctionnement continu. Avant d'appeler le fabricant de la génératrice, noter les données relatives au moteur : code kV·A, A avec FS, A avec rotor bloqué, phases (Ø), Hz, type de moteur, etc.

Avant de consulter les tables, on doit connaître le type de génératrice utilisé, car la puissance varie selon le type. Il existe deux types : à régulation interne, aussi appelé à autoexcitation, et à régulation externe, le plus courant des deux. Outre les valeurs

nominales en kW et en kV·A de la génératrice, sa fréquence (60 Hz au Canada) est très importante pour le fonctionnement de la pompe, car les variations de fréquence influent sur la puissance hydraulique en relation directe avec les lois affines. Sous 60 Hz, le débit et la hauteur de charge seront moindres, mais au-dessus de 60 Hz, ils pourraient surcharger le moteur, étant plus élevés, ainsi que la puissance (hp) et le courant prélevé.

Il faut toujours démarrer la génératrice avant la pompe et arrêter la pompe avant la génératrice. Suivre les recommandations du fabricant de la génératrice quant à la réduction de puissance découlant du fonctionnement aux altitudes élevées et de l'utilisation de gaz naturel.

Valeurs recommandées pour la génératrice

Moteur	hp	À régulation externe		À régulation interne	
		kW	kV·A	kW	kV·A
Puissance nominale minimale de la génératrice					
À 3 fils, monophasé et triphase	0,5	2	2,5	1,5	1,9
	0,75	3	3,8	2	2,5
	1	4	5	2,5	3,2
	1,5	5	6,3	3	3,8
	2	7,5	9,4	4	5
	3	10	12,5	5	6,3
	5	15	18,8	7,5	9,4
	7,5	20	25	10	12,5
	10	30	37,5	15	18,8
	15	40	50	20	25
	20	60	75	25	31
	25	75	94	30	37,5
	30	100	125	40	50
	40	100	125	50	62,5
	50	150	188	60	75
	60	175	220	75	94
	75	250	313	100	125
100	300	375	150	188	
125	375	469	175	219	
150	450	563	200	250	
175	525	656	250	313	
200	600	750	275	344	

Puissance requise des transformateurs alimentant les moteurs submersibles monophasés et triphasés

Les transformateurs de distribution doivent avoir la puissance adéquate en kV·A pour alimenter le moteur submersible. S'ils ne sont pas assez puissants pour la charge, il y aura une baisse de la tension d'alimentation du moteur.

La table 1 donne la puissance nominale des moteurs (monophasés ou triphasés), la puissance effective totale requise en kV·A, ainsi que la puissance nominale minimale pour les circuits triphasés ouverts ou fermés. Les circuits ouverts utilisent seulement deux transformateurs, qui doivent ainsi être plus puissants.

Toute charge supplémentaire s'ajoute directement à la puissance en kV·A requise du groupe de transformateurs.

Table 1 - Puissance des transformateurs

Puissance du moteur (hp)	Puissance effective totale requise (kV·A)	Puissance nominale minimale (kV·A) de chaque transformateur	
		Montage étoile ou triangle ouverts, 2 transformateurs	Montage étoile ou triangle fermés, 3 transformateurs
1½	3	2	1
2	4	2	1,5
3	5	3	2
5	7,5	5	3
7½	10	7,5	5
10	15	10	5
15	20	15	7,5
20	25	15	10
25	30	20	10
30	40	25	15
40	50	30	20
50	60	35	20
60	75	40	25
75	90	50	30
100	120	65	40
125	150	85	50
150	175	100	60
175	200	115	70
200	230	130	75

NOTA : les puissances de transformateur ci-dessus sont des puissances nominales standard. Si, dans la pratique ou par expérience, la société d'électricité permet une charge supérieure à la puissance nominale du transformateur, dans des conditions de service particulières, et que la tension et l'équilibre se maintiennent à un niveau approprié, on pourra utiliser des charges supérieures pour que les transformateurs produisent la puissance effective totale requise en kV·A.

Position de fonctionnement

Les moteurs sont conçus pour fonctionner dans les positions comprises entre la verticale et l'horizontale. S'il s'agit d'un moteur de 4 po de 2 hp ou moins démarrant plus de 10 fois par jour, il est recommandé de l'incliner vers le haut à 15° par rapport à l'horizontale pour réduire au minimum les risques d'usure de la rondelle de butée, dus aux poussées axiales survenant pendant que la pompe s'immobilise.

Fréquence de démarrage

Le nombre moyen de démarrages journaliers influe sur la durée des systèmes de pompage submersibles après un certain nombre de mois ou d'années. Un fonctionnement cyclique excessif altère donc la durée des composants tels que les pressostats, les démarreurs, les relais et les condensateurs et celle des cannelures, des roulements et des coussinets. De plus, un fonctionnement cyclique rapide peut causer la surchauffe du moteur et la défaillance des enroulements.

En se basant sur le nombre de démarrages maximal par jour (24 h) indiqué dans la table 2, on devrait choisir la puissance de la pompe, la capacité du réservoir et les divers appareils de façon à maintenir la fréquence de démarrage journalière aussi basse que possible et la durée des composants, aussi longue que possible.

À chaque démarrage, les moteurs de plus de 2 hp devraient fonctionner pendant au moins 2 minutes pour pouvoir dissiper l'accumulation de chaleur produite par le courant de démarrage.

Table 2 - Nombre de démarrages

Puissance nominale du moteur	Nombre de démarrages maximal par jour (24 h)	
	Alimentation monophasée	Alimentation triphasée
½ à 5 hp	100	300
7½ à 30 hp	50	100
40 hp et plus		100

Température et vitesse d'écoulement de l'eau

Chaque moteur CentriPro de 4 po peut fonctionner sans arrêt dans une eau dont la température maximale est de 30°C (86°F). La durée de vie sera optimale si la vitesse d'écoulement minimale de l'eau autour du moteur est de 0,25 pi/s, mais employer un manchon d'accélération de l'écoulement si la vitesse est moindre, si le puits est alimenté par le haut ou si la pompe est utilisée dans une grande masse d'eau ou un grand réservoir.

Les moteurs de 6 po, de 5 à 40 hp, placés en cuve d'aspiration fonctionneront dans une eau d'une température maximale de 35°C (95°F), sans réduction de puissance, à une vitesse d'écoulement minimale de l'eau de 0,5 pi/s autour du moteur. À cette vitesse d'écoulement, les moteurs de 6 po de 50 hp et ceux de 8 et de 10 po peuvent fonctionner dans une eau de 25°C (77°F).

Table 3 – Débit minimal pour le refroidissement du moteur

Diamètre intérieur du cuvelage ou du manchon d'accélération (en pouces)	Moteur de 4 po (CP ou FE)* et 3,75 po – vitesse : 0,25 pi/s	Moteur de 6 po et de 5½ po (CP) – vitesse : 0,5 pi/s	Moteur de 8 po et de 7,52 po (CP) – vitesse : 0,5 pi/s
	Débit requis (en gal US/min)*		
4	1,2		
5	7		
6	13	7	
7	20	23	
8	30	41	9
10	50	85	53
12	80	139	107
14	110	198	170
16	150	276	313

* CP = CentriPro, FE = Franklin Electric
gal US/ min x 0,2271 = m³/h
gal US/ min x 3,785 = l/min

Triphasé, 4" moteurs - données électriques, 60 Hertz, 3450 t/mn

CentriPro #	hp	kW	V	FS*	À pleine charge		Facteur de surcharge		Rotor verrouillé ampères	Ligne - ligne résistance
					A	W	A	W		
M30430	3	2,2	200	1,15	10,9	2890	12,0	3290	71	0,9-1,3
M50430	5	3,7			18,3	4850	20,2	5515	113	0,4-0,8
M75430	7,5	5,5			27,0	7600	30,0	8800	165	0,5-0,6
M30432	3	2,2	230	1,15	9,2	2880	10,1	3280	58,9	1,3-1,7
M50432	5	3,7			15,7	4925	17,5	5650	93	0,85-1,25
M75432	7,5	5,5			24	7480	26,4	8570	140	0,55-0,85
M30434	3	2,2	460	1,15	4,8	2920	5,3	3320	30	5,9-6,5
M50434	5	3,7			7,6	4810	8,5	5530	48	3,58-4,00
M75434	7,5	5,5			12,2	7400	13,5	8560	87	1,9-2,3
M100434	10	7,5			15,6	9600	17,2	11000	110	1,8-2,2
M30437	3	2,2	575	1,15	3,7	2850	4,1	3240	21,1	9,4-9,7
M50437	5	3,7			7,0	5080	7,6	5750	55	3,6-4,2
M75437	7,5	5,5			9,1	7260	10,0	8310	55	3,6-4,2

Génération II - Monophasé à 3 fils et 4" moteurs - des données électriques, 60 Hertz, 3450 t/mn

Type	N° de catalogue	hp	kW	V	FS*	À pleine charge		Facteur de surcharge		Rotor verrouillé ampères	Résistance d'enroulement		Boîte de contrôle requise ¹
						A	W	A	W		Principal (B-Y)	De démarr. (R-Y)	
3-fil avec CSCR (CR) ou boîte de contrôle magnétique de contacteur (MC)	M30412	3	2,2	230	1,15	Y - 14,3 B - 12,0 R - 5,7	3170	Y - 16,5 B - 13,9 R - 5,6	3620	76	1,1 - 1,4	2,0 - 2,5	CB30412CR ou CB30412MC
	M50412	5	3,7			Y - 24,0 B - 19,1 R - 10,2	5300	Y - 27,0 B - 22,0 R - 10,0	6030	101	,62 - ,76	1,36 - 1,66	CB50412CR ou CB50412MC

¹ A CSCR control box with a CR suffix can be replaced by a Magnetic Contactor model ending in MC.

*FS = facteur de surcharge

Y = jaune, B = noir, R = rouge

6" MOTEURS MONOPHASÉ ET BOÎTES DE CONTRÔLE REQUISES

N° de Catalogue	hp	kW	V	Phase	Dia. de moteur contre le dia. de bride	FS	Entrée évaluée		Facteur de surcharge		Rotorverrouillé amps	Boîte de contrôle requise ^①
							A	W	A	W		
6M051	5	3,7	230	1	6" x 6"	1,15	24	4987	27,5	5735	124	CB05MC (3R)
6M071	7,5	5,5					36	7675	41	8950	167	CB07MC (3R)
6M101	10	7,5					50	10135	58	11830	202	CB10MC (3R)
6M151	15	11					72	15180	85	18050	275	CB15MC (3R)

① Les boîtes de contrôle de la NEMA 3R substitueront les modèles actuels.

6-10" MOTEURS TRIPHASÉS

N° de Catalogue	hp	kW	V	Phase	Dia. de moteur contre le dia. de bride	FS	Entrée évaluée		Facteur de surcharge		Rotorverrouillé amps				
							A	W	A	W					
6M058	5	3,7	200	3	6" x 6"	1,15	17,5	4910	19,5	5610	124				
6M052	5	3,7	230				15,0	4857	17,0	5520	110				
6M054	5	3,7	460				7,5	4857	8,5	5520	55				
6M078	7,5	5,5	200				25,4	7180	28,5	8230	158				
6M072	7,5	5,5	230				22,0	7127	26,0	8140	144				
6M074	7,5	5,5	460				11,0	7127	13,0	8140	72				
6M108	10	7,5	200				33,3	9360	37,2	10700	236				
6M102	10	7,5	230				29,0	9407	33,0	10730	208				
6M104	10	7,5	460				14,5	9407	16,5	10730	104				
6M158	15	11	200				47,4	13700	53,5	15710	347				
6M152	15	11	230			42,0	13700	46,0	15800	320					
6M154	15	11	460			21,0	13700	23,0	15800	160					
6M208	20	15	200			61,2	18040	69,5	20820	431					
6M202	20	15	230			54,0	17930	60,0	20650	392					
6M204	20	15	460			27,0	17930	30,0	20650	196					
6M258	25	18,5	200			77,3	22740	87,5	26190	578					
6M252	25	18,5	230			68,0	22470	76,0	25800	530					
6M254	25	18,5	460			34,0	22470	37,0	25800	265					
6M308	30	22	200			91,8	27000	104,0	31120	674					
6M302	30	22	230			82,0	27130	94,0	31160	610					
6M304	30	22	460	41,0	27130	47,0	31160	305							
6M404	40	30	460	3	6" x 6"	1,15	53,0	35530	60,0	41100	340				
66M504	50	37	460				70,0	45210	79,0	52380	465				
86M504	50	37	460		8" x 6"		8" x 8"	65,0	44360	73,0	51000	435			
86M604	60	45	460					80,0	52850	90,0	60900	510			
8M754	75	55	460		8" x 8"			1,15	96,0	65900	109,0	76100	650		
8M1004	100	75	460						127,0	87600	145,0	101300	795		
8M1254	125	90	460		8" x 8"				1,15	160,0	110800	180,0	126000	980	
8M1504	150	110	460							195,0	130700	220,0	152000	1060	
10M2004	200	150	460		10" x 10"					1,15	235,0	171100	270,0	198600	1260

5-30 HP, les moteurs de 3 la phase 230 et 460 ont la caractéristique réglable de tension, changent des prises de tension en converti de 230V en exécution 460V. Les numéro d'ordre de prise de petite monnaie sont : PLUG-230V ou PLUG-460V.

6" MOTEURS MONOPHASÉ

N° de Catalogue	hp	kW	V	Phase	F.L. Efficacité %	Code de KVA	Résistance - ohms		
							R - Y	B - Y	R - B
6M051	5	3,7	230	1	74,8	G	2,172	0,512	2,627
6M071	7,5	5,5			72,9	F	1,401	0,400	1,774
6M101	10	7,5			73,6	E	1,052	0,316	1,310
6M151	15	11			73,7	D	0,678	0,230	0,850

Y = jaune, B = noir, R = rouge

6-10 » MOTEURS TRIPHASÉS

N° de Catalogue	hp	kW	V	Phase	F.L. Efficacité %	Code de KVA	Ligne - ligne résistance	Fusible à retard de temps	
								Standard	Double élément
6M058	5	3,7	200	3	75,9	K	0,618	50	25
6M052	5	3,7	230		76,8	K	0,806	45	20
6M054	5	3,7	460		76,8	K	3,050	25	10
6M078	7,5	5,5	200		77,9	J	0,504	80	40
6M072	7,5	5,5	230		78,5	J	0,651	70	30
6M074	7,5	5,5	460		78,5	J	2,430	35	15
6M108	10	7,5	200		79,7	K	0,315	100	50
6M102	10	7,5	230		79,3	K	0,448	90	40
6M104	10	7,5	460		79,3	K	1,619	45	20
6M158	15	11	200		81,7	K	0,213	175	70
6M152	15	11	230		81,7	K	0,312	150	60
6M154	15	11	460		81,7	K	1,074	70	30
6M208	20	15	200		82,7	J	0,189	200	90
6M202	20	15	230		83,2	J	0,258	175	70
6M204	20	15	460		83,2	J	0,861	90	35
6M258	25	18,5	200		82,0	K	0,146	250	110
6M252	25	18,5	230		83,0	K	0,210	225	90
6M254	25	18,5	460		83,0	K	0,666	110	45
6M308	30	22	200		82,9	J	0,119	300	125
6M302	30	22	230		82,5	K	0,166	250	100
6M304	30	22	460		82,5	K	0,554	125	50
6M404	40	30	460		84,0	H	0,446	175	70
66M504	50	37	460		82,5	J	0,388	225	90
86M504	50	37	460		84,1	H	0,331	200	90
86M604	60	45	460		84,7	H	0,278	250	110
8M754	75	55	460		84,9	H	0,218	300	125
8M1004	100	75	460		85,2	H	0,164	400	175
8M1254	125	90	460		84,2	G	0,132	500	225
8M1504	150	110	460		85,6	G	0,115	600	250
10M2004	200	150	460		87,2	F	0,0929	800	350

DÉSÉQUILIBRE DU COURANT TRIPHASÉ

Un circuit d'alimentation électrique entièrement triphasé est recommandé. Il peut être constitué de trois transformateurs distincts ou d'un transformateur triphasé. On peut aussi utiliser deux transformateurs montés en étoile ou en triangle « ouverts », mais il est possible qu'un tel montage crée un déséquilibre de courant se traduisant par des performances médiocres, le déclenchement intempestif du limiteur de surcharge et la défaillance prématurée du moteur.

Vérifier l'intensité du courant sur chacun des trois fils de moteur, puis calculer le déséquilibre du courant.

Si le déséquilibre est de 2% ou moins, ne pas changer la connexion des fils.

S'il dépasse 2%, on devrait vérifier l'intensité du courant sur chaque conducteur, dans les trois montages possibles ci-dessous. Afin de maintenir le sens de rotation du moteur, suivre l'ordre numérique indiqué dans chaque montage pour la connexion des fils de moteur.

Pour calculer le pourcentage de déséquilibre du courant :

- Faire l'addition des trois intensités de courant de ligne mesurées.
- Diviser le total par 3 pour obtenir l'intensité moyenne.
- Prendre l'écart d'intensité le plus grand par rapport à la moyenne.
- Soustraire cet écart de la moyenne.
- Diviser la différence par la moyenne, puis multiplier le résultat par 100 pour obtenir le pourcentage de déséquilibre.

Le déséquilibre de courant ne devrait pas excéder 5% en charge avec facteur de surcharge et 10% en charge d'entrée nominale. Si l'on ne peut éliminer le déséquilibre en connectant les fils de moteur dans l'ordre numérique indiqué, on doit en trouver la cause et la rectifier. Si, dans les trois montages, l'écart d'intensité le plus grand par rapport à la moyenne est toujours sur le même conducteur, la cause du déséquilibre vient surtout de la source de courant.

On s'adressera alors à la société d'électricité pour rectifier le déséquilibre de courant.

	1 ^{er} montage			2 ^e montage			3 ^e montage		
Bornes de démarreur	L1	L2	L3	L1	L2	L3	L1	L2	L3
	$\frac{\perp}{\text{T}}$	$\frac{\perp}{\text{T}}$	$\frac{\perp}{\text{T}}$	$\frac{\perp}{\text{T}}$	$\frac{\perp}{\text{T}}$	$\frac{\perp}{\text{T}}$	$\frac{\perp}{\text{T}}$	$\frac{\perp}{\text{T}}$	$\frac{\perp}{\text{T}}$
Fils de moteur	R	B	Y	Y	R	B	B	Y	R
	T3	T1	T2	T2	T3	T1	T1	T2	T3

Exemples :	1 ^{er} montage	2 ^e montage	3 ^e montage
	T3-R = 51 A	T2-Y = 50 A	T1-B = 50 A
	T1-B = 46 A	T3-R = 48 A	T2-Y = 49 A
	T2-Y = <u>53 A</u>	T1-B = <u>52 A</u>	T3-R = <u>51 A</u>
	Total = 150 A	Total = 150 A	Total = 150 A
	÷3 = 50 A	÷3 = 50 A	÷3 = 50 A
	- 46 = 4 A	- 48 = 2 A	- 49 = 1 A
	4 ÷ 50 = 0,08 ou 8%	2 ÷ 50 = 0,04 ou 4%	1 ÷ 50 = 0,02 ou 2%

Diagnostic des anomalies



OMETTRE LE VERROUILLAGE DU DISJONCTEUR DU CIRCUIT ÉLECTRIQUE EN POSITION OUVERTE AVANT D'EFFECTUER TOUT TRAVAIL D'ENTRETIEN SUR LA POMPE PEUT CAUSER UN CHOC ÉLECTRIQUE, DES BRÛLURES OU LA MORT.

Anomalies	Causes probables	Correctifs recommandés
NON-FONCTIONNEMENT DU MOTEUR DE POMPE	1. Protecteur thermique du moteur déclenché a) Boîte de commande inappropriée b) Connexions électriques défectueuses ou incorrectes c) Protecteur thermique défectueux d) Basse tension électrique e) Température ambiante trop élevée pour la boîte de commande ou le démarreur f) Pompe bloquée par un corps étranger g) Hauteur d'immersion inappropriée	1. Laisser le moteur refroidir, et le protecteur thermique s'enclenchera de nouveau automatiquement. a) à e) Faire inspecter l'appareil par un électricien et effectuer les réparations requises. f) Sortir la pompe du puits, la nettoyer et la redescendre à la hauteur d'immersion requise. g) Confirmer la bonne hauteur d'immersion dans le liquide pompé.
	2. Disjoncteur ouvert ou fusible sauté	2. Faire inspecter l'appareil par un électricien et effectuer les réparations requises.
	3. Alimentation électrique inappropriée à la charge	3. Vérifier la puissance électrique du circuit d'alimentation ou de la génératrice.
	4. Gaine du câble d'alimentation endommagée 5. Jonction du câble d'alimentation défectueuse	4. et 5. Faire inspecter l'appareil par un électricien et effectuer les réparations requises.
DÉBIT DE RE-FOULEMENT FAIBLE OU NUL	1. Clapet de non-retour défectueux ou mal posé	1. Inspecter le clapet de non-retour et le réparer au besoin.
	2. Poche d'air dans la pompe	2. Démarrer et arrêter la pompe à répétition jusqu'à ce que son débit soit bon.
	3. Hauteur d'aspiration trop élevée pour la pompe	3. Vérifier les performances de l'appareil et consulter le détaillant.
	4. Pompe bloquée par un corps étranger	4. Sortir la pompe du puits, la nettoyer et la redescendre à la hauteur d'immersion requise.
	5. Pompe non entièrement immergée	5. Vérifier la remontée du niveau du puits et immerger la pompe davantage si c'est possible.
	6. Présence excessive d'air ou de gaz dans le puits	6. Si le démarrage et l'arrêt répétitifs de la pompe ne résolvent pas le problème, il y a trop d'air ou de gaz dans le puits.
	7. Usure excessive de la pompe	7. Retirer la pompe du puits et effectuer les réparations requises.
	8. Mauvais sens de rotation du moteur (en triphasé seulement)	8. Intervertir deux fils de moteur.

NOTES

GARANTIE LIMITÉE DE GOULDS WATER TECHNOLOGY

La présente garantie s'applique à tout produit pour système d'alimentation en eau fabriqué par Goulds Water Technology.

Toute pièce se révélant défectueuse sera remplacée sans frais pour le détaillant durant la période de garantie suivante expirant la première : douze (12) mois à compter de la date d'installation ou dix-huit (18) mois à partir de la date de fabrication.

Le détaillant qui, aux termes de la présente garantie, désire effectuer une demande de règlement doit s'adresser au distributeur Goulds Water Technology agréé chez lequel la pompe a été achetée et fournir tous les détails à l'appui de sa demande. Le distributeur est autorisé à régler toute demande par le biais du service à la clientèle de Goulds Water Technology.

La garantie ne couvre pas :

- a) les frais de main-d'œuvre ni de transport ni les frais connexes encourus par le détaillant ;
- b) les frais de réinstallation du matériel réparé ;
- c) les frais de réinstallation du matériel de remplacement ;
- d) les dommages indirects de quelque nature que ce soit ;
- e) ni les pertes découlant de la panne.

Aux fins de la garantie, les termes ci-dessous sont définis comme suit :

- 1) « Distributeur » signifie une personne, une société de personnes, une société de capitaux, une association ou autre entité juridique servant d'intermédiaire entre Goulds Water Technology et le détaillant pour les achats, les consignations ou les contrats de vente des pompes en question.
- 2) « Détaillant » veut dire une personne, une société de personnes, une société de capitaux, une association ou autre entité juridique dont les activités commerciales sont la vente ou la location de pompes à des clients.
- 3) « Client » désigne une entité qui achète ou loue les pompes en question chez un détaillant. Le « client » peut être une personne, une société de personnes, une société de capitaux, une société à responsabilité limitée, une association ou autre entité juridique se livrant à quelque activité que ce soit.

LA PRÉSENTE GARANTIE SE RAPPORTE AU DÉTAILLANT SEULEMENT.



Xylem, Inc.
2881 East Bayard Street Ext., Suite A
Seneca Falls, NY 13148
Téléphone: (866) 325-4210
Télécopie: (888) 322-5877
www.xylem.com/brands/gouldswatertechnology

Goulds est une marque déposée de Goulds Pumps, Inc. et est utilisé sous le permis.
© 2012, Xylem Inc. IM103 Révision numéro 3 Julliet 2012