

SJ REPAIR PARTS

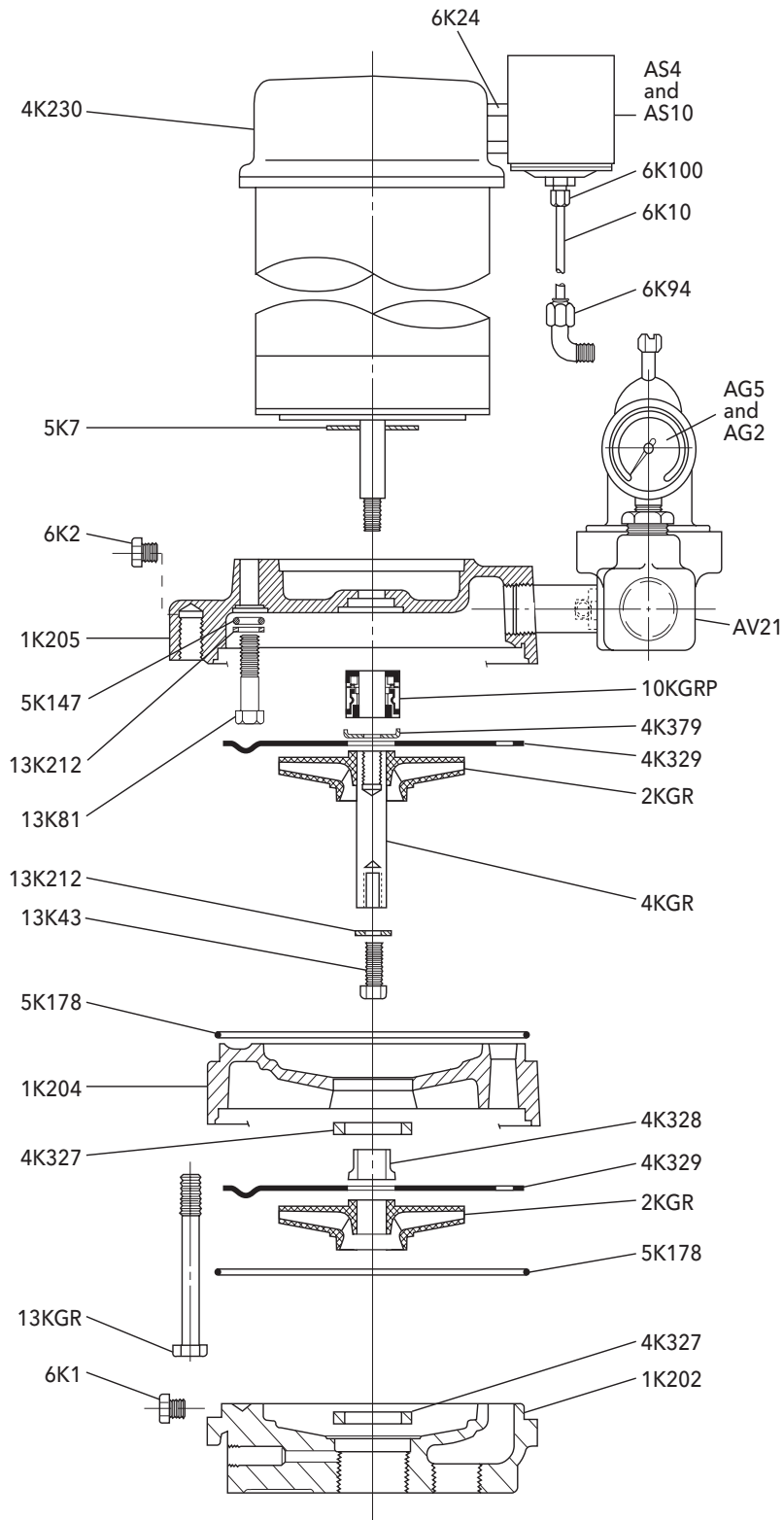
Part No.	Part Name	Pattern No.
1K202	Casing - twin pipe system and packer	59159
1K203	Casing - packer system (OBSOLETE)	Use 1K202
1K204	Intermediate stage	59157
1K205	Motor adapter	59156
2K289	Impeller - ¾ and 1½ HP models	
2K290	Impeller - 1 and 2 HP models	
4K230	Drip cover	
4K327	Wear ring	
4K328	Sleeve	
4K329	Coverplate	
4K379	Retainer - shaft seal assembly	
①4K331	Shaft extension - 2 stage, ¾ and 1 HP models	
①4K332	Shaft extension - 3 stage, 1½ and 2 HP models	
②4K375	Retaining ring (OBSOLETE)	
5K7	Deflector	
5K147	O-ring - motor adapter bolts	
5K178	O-ring - casing and intermediate stage	
6K1	Pipe plug ⅛" NPT	
6K2	Pipe plug ¼" NPT	
6K19	Reducing bushing ¼" x ¾" NPT	
6K24	Switch connector with nut	
6K94	Elbow fitting (tubing)	
6K100	Straight fitting (tubing)	
6K102	Tubing	
10K10	Shaft seal assembly	
13K43	Impeller bolt	
13K81	Bolt - adapter to motor	
13K212	Washer - impeller and adapter	
13K213	Bolt - casing to adapter ¾ and 1 HP models	
13K214	Bolt - casing to adapter 1½ and 2 HP models	
②13K250	Impeller washer (OBSOLETE)	
AG2	Pressure gauge - 200 PSI max.	
AG5	Pressure gauge - 100 PSI max.	
AS4	Pressure switch - ¾, 1 HP, 1½ HP rated	
AS10	Pressure switch - 2 HP rated	
AV21	Pressure control valve	
AA8-7	Air volume control valve (not shown)	

① Includes 4K379, 13K43 and 13K212.

② Models built December 1988 through February 1991 used a retaining ring. Replace with 4K331 or 4K332 shaft extension assembly.

MOTOR CODES

HP	Model	Order No.
¾	SJ07, SJ07PK	JO5853R
1	SJ10, SJ10PK	JO6853R
1½	SJ15, SJ15PK	JO7858R
2	SJ20, SJ20PK	JO8854R



Xylem Inc.

2881 East Bayard Street Ext., Suite A, Seneca Falls, NY 13148

Phone: (866) 325-4210 Fax: (888) 322-5877

www.xylem.com/brands/gouldswatertechnology

