



FEATURES

Corrosion-resistant construction

Stainless Steel motor casing and fasteners

Glass-filled thermoplastic impeller and casing.

Bearing: Upper and lower heavy duty ball bearing construction.

Motor is permanently lubricated for extended service life and is powered for continuous operation. All ratings are within the working limits of the motor.

Hard coated 400 series stainless steel shaft for improved corrosion resistance.

Optional float switch is adjustable for various liquid levels. Easily removed for direct pump operation or switch replacement.

Complete unit is lightweight and portable.

LEP07

SUBMERSIBLE EFFLUENT PUMPS

APPLICATIONS

Specially designed for the following uses:

- Effluent systems
- Water transfer
- Dewatering
- Heavy duty sump

SPECIFICATIONS

- Discharge size: 1½" NPT
- Capacities: to 52 GPM
- Maximum head: 22 feet TDH
- Maximum solids: ¾" spherical
- Temperature: 104° F (40° C) maximum liquid temperature

MOTOR

- Single phase, 3450 RPM
 - LEP0711, ¾ HP, 115 V, 60 Hz
 - LEP0712, ¾ HP, 230 V, 60 Hz
- Built-in thermal overload protection with automatic reset.

- Permanent-split-capacitor type
- Amps: 6.9 maximum for LEP0711
3.4 maximum for LEP0712
- Class F insulation
- Hardened stainless steel shaft
- Air filled design
- Power cord length: 20 feet

FLOAT SWITCH OPTIONS

- LEP07- A is supplied with a built-in float switch for automatic operation.
- LEP07- AT is supplied with a replaceable float switch. This switch is a piggy-back type with 5-15P or 6-15P three prong grounding plug.

AGENCY LISTING



Canadian Standards Association
File #LR114251



Underwriters Laboratories
File #83318

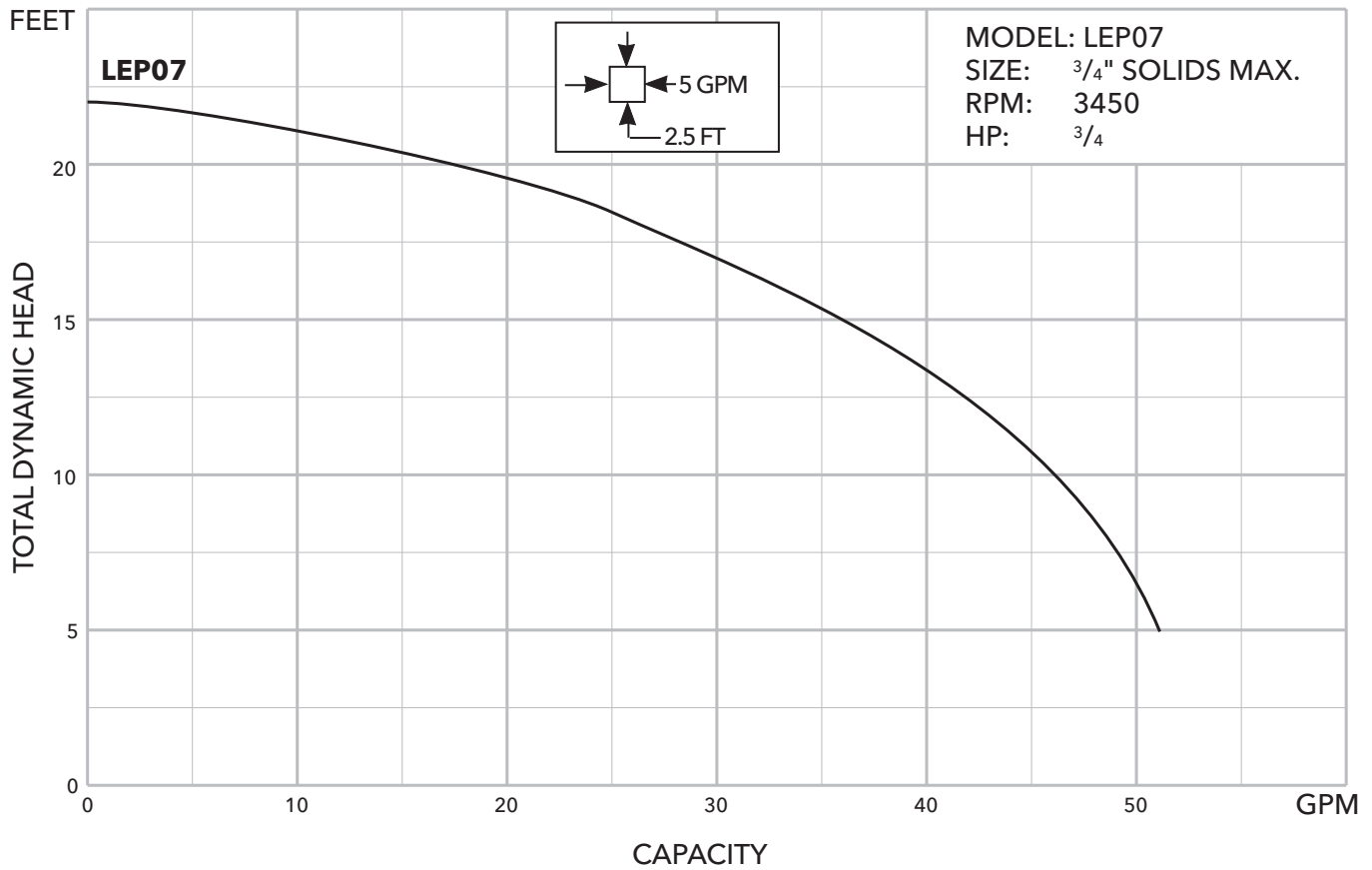
PERFORMANCE RATINGS

Total Head (ft. of water)	Gallons Per Minute
	LEP07
5	52
10	46
15	37
20	18
22	0

MODELS

Order No.	HP	Volts	Phase	Maximum Amps	RPM	Solids Handling	Power Cord Length	Float Switch	Weight (lbs.)
LEP0711AF	¾	115	1	6.9	3450	¾"	20'	Built-in	16
LEP0712AF		230		3.4				Built-in	
LEP0711F		115		6.9				N/A	
LEP0712F		230		3.4				N/A	
LEP0711ATF		115		6.9				Piggyback	
LEP0712ATF		230		3.4				Piggyback	

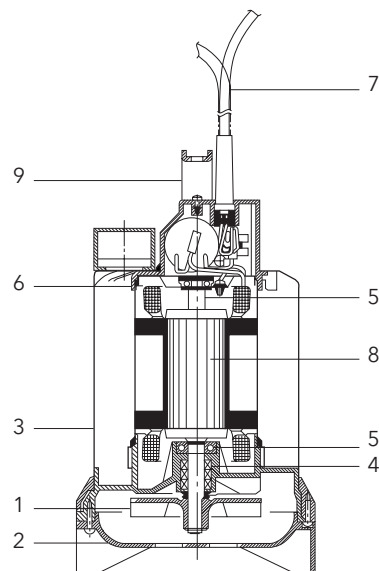
"A" denotes automatic operation. Pump includes float switch.
"F" denotes 20 foot power cord.



* Vertical distance from water level to highest point in discharge - plus pipe friction.
 Maximum pump rated submergence is 16 ft. for LEP07.

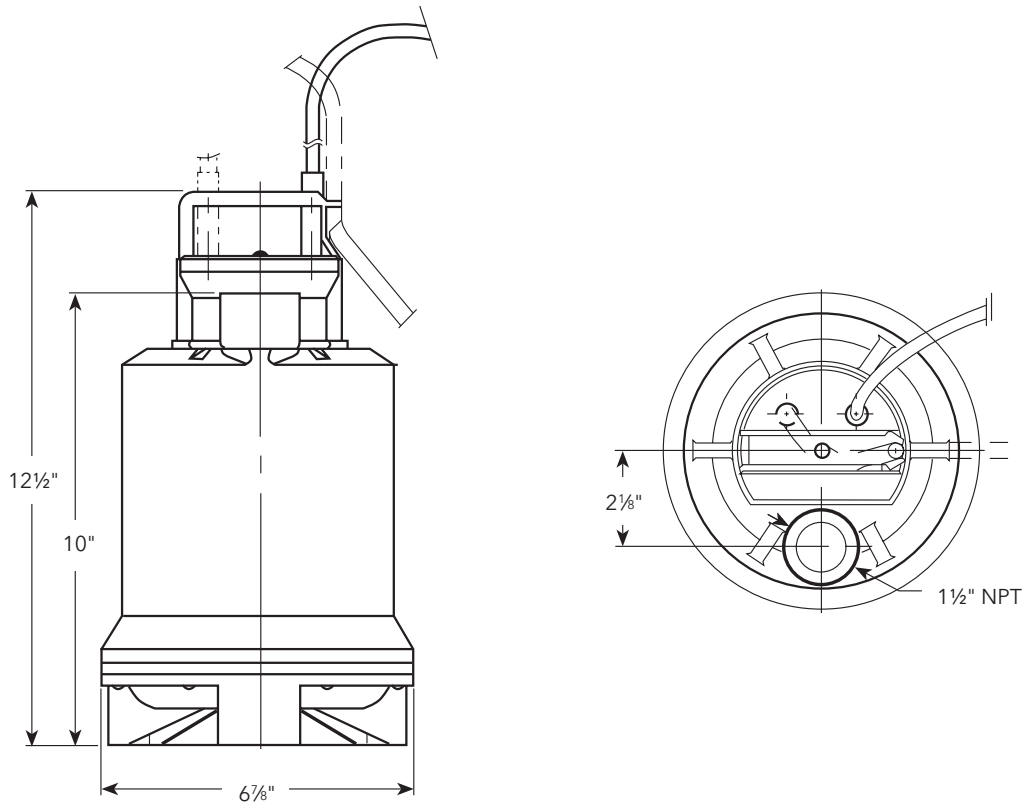
COMPONENTS *(for reference only)*

Item No.	Description
1	Impeller
2	Rugged thermoplastic base
3	Stainless steel pump casing
4	Shaft
5	Ball bearings
6	O-rings
7	Power cord
8	Air filled motor
9	Thermoplastic motor cover/handle



DIMENSIONS

(All dimensions are in inches. Do not use for construction purposes.)



xylem
Let's Solve Water

Xylem, Inc.
2881 East Bayard Street Ext., Suite A
Seneca Falls, NY 13148
Phone: (866) 325-4210
Fax: (888) 322-5877
www.xylem.com/brands/gouldswatertechnology

Goulds is a registered trademark of Goulds Pumps, Inc. and is used under license.
© 2012 Xylem Inc. BLEP07 R1 April 2012