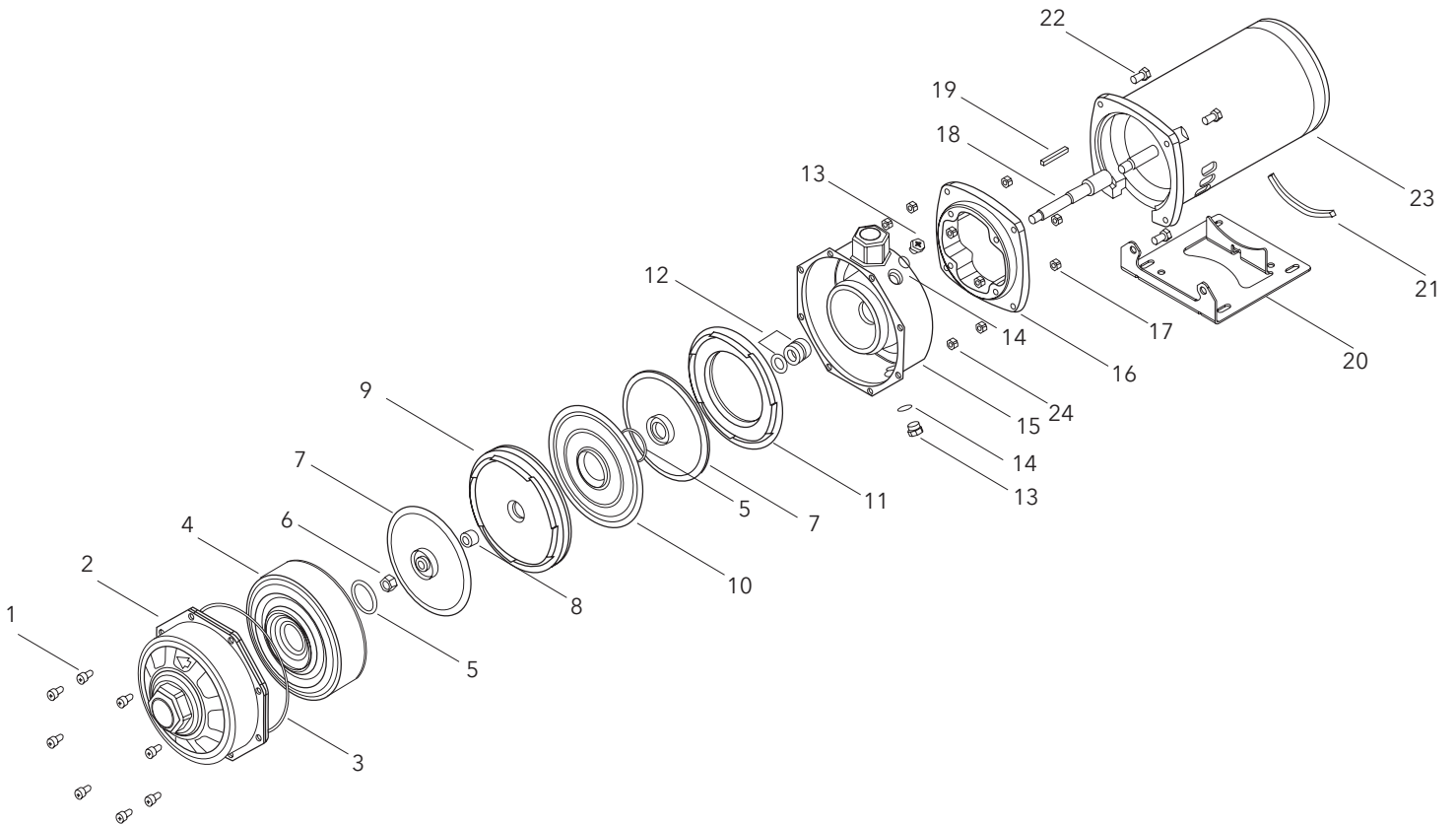


# LC REPAIR PARTS



## LC REPAIR PARTS TABLE

Item No.	Part Description	Material	Repair Part No.			Quantity
			LCA	LCB	LCC	
1	Screw, Casing	400SS	13K283			8
2	Pump casing, suction	304SS	1L11	1L13		1
3	O-Ring, Casing	Viton	5K266			1
		Optional EPR	5K267			
		Optional BUNA	5K178			
4	Diffuser Cover, first stage	304SS	3L5	3L8		1
5	O-ring, Impeller	Viton	5K269	5K270		2
		Optional EPR	5K273	5K274		
		Optional BUNA	5K271	5K272		
6	Impeller Nut	304SS/Nylon	13K365			1
7 ①	(2) Impellers with Buna O-Ring (5K178)	304SS	2L907	2L910	2L913	1 kit
	(2) Impellers with EPR O-Ring (5K267)	304SS	2L908	2L911	2L914	
	(2) Impellers with Viton O-Ring (5K266)	304SS	2L909	2L912	2L915	
8	Impeller Spacer	304SS	4L14			1
9	Diffuser, intermediate	304SS	3L13	3L14		1
10	Diffuser Cover, last stage	304SS	3L15	3L16		1
11	Diffuser, last stage	304SS	3L9	3L11		1
12	Mechanical Seal	Varies	See Mechanical Seal application chart			1
13	Fill and Drain Plug	304SS	6L3			1 each
14	O-ring, fill and drain plug	Viton	5L99			1 each
15	Pump Body with plug	304SS	* 1L553			1
16	Motor Adapter	Cast Iron	* 1K454			1
17	Locknut, motor adapter to pump	Steel	* 13K351			4
18	Shaft, pump	304SS	4K649			1
19	Key, impeller	304SS	4L16			1
20	Foot, pump	Steel	4K450			1
21	Spacer	Rubber	9K188			1
22	Screw, motor to motor adapter	Steel	13K194			4
23	Motor, 3ph ODP	303SS	SFE08874S	SFE09874S	SFE10774S	1
	Motor, 1ph ODP		SFE08854S	SFE09854S	SFE10754S	
	Motor, 3ph TEFC		SFE08876S	SFE09876S	NA	
	Motor, 1ph TEFC		SFE08821S	SFE09821S	NA	
24	Nut, casing screw	304SS	13K282			8

① New impeller kits contain the new casing ring.

## MECHANICAL SEAL APPLICATION CHART

Rotary	Stationary	Elastomer	Metal Parts	Part No.
Carbon	Ceramic	Viton	316SS	10K92
	Silicon Carbide			10K87
	Silicon Carbide			10K88
Carbon	Silicon Carbide	EPR		10K89

\* For pumps built before Sn# H0246002, use 1L531 - pump body, 1K614 - motor adapter and 13K281 - screw (qty. 4).

### Xylem Inc.

2881 East Bayard Street Ext., Suite A, Seneca Falls, NY 13148

Phone: (800) 453-6777 Fax: (888) 322-5877

[www.xylem.com/brands/gouldswatertechnology](http://www.xylem.com/brands/gouldswatertechnology)

