



Model LC

INSTALLATION, OPERATION AND MAINTENANCE INSTRUCTIONS

Table of Contents

| SUBJECT | PAGE |
|---|-------------|
| Safety Instructions | 3 |
| Important | 3 |
| Installation | 3 |
| Suction Piping | 3 |
| Discharge Piping..... | 4 |
| Rotation | 4 |
| Operation..... | 4 |
| Maintenance..... | 4 |
| Disassembly | 4 |
| Reassembly..... | 5 |
| Troubleshooting | 5 |
| Parts List | 6 |
| Mechanical Seal Application Chart | 6 |
| Limited Warranty | 6 |
| Declaration of Conformity | 21 |

Owner's Information

Pump Model Number: _____
Pump Serial Number: _____
Dealer: _____
Dealer Phone No.: _____
Date of Purchase: _____
Date of Installation: _____

Current Readings at Startup:

| <u>1 Ø</u> | <u>3 Ø</u> | L1-2 | L2-3 | L3-1 |
|--------------|--------------|-------|-------|-------|
| Amps: _____ | Amps: _____ | _____ | _____ | _____ |
| Volts: _____ | Volts: _____ | _____ | _____ | _____ |

SAFETY INSTRUCTIONS

TO AVOID SERIOUS OR FATAL PERSONAL INJURY OR MAJOR PROPERTY DAMAGE, READ AND FOLLOW ALL SAFETY INSTRUCTIONS IN MANUAL AND ON PUMP.

THIS MANUAL IS INTENDED TO ASSIST IN THE INSTALLATION AND OPERATION OF THIS UNIT AND MUST BE KEPT WITH THE PUMP.



This is a **SAFETY ALERT SYMBOL**. When you see this symbol on the pump or in the manual, look for one of the following signal words and be alert to the potential for personal injury or property damage.



DANGER Warns of hazards that **WILL** cause serious personal injury, death or major property damage.



WARNING Warns of hazards that **CAN** cause serious personal injury, death or major property damage.



CAUTION Warns of hazards that **CAN** cause personal injury or property damage.

NOTICE: INDICATES SPECIAL INSTRUCTIONS WHICH ARE VERY IMPORTANT AND MUST BE FOLLOWED.

THOROUGHLY REVIEW ALL INSTRUCTIONS AND WARNINGS PRIOR TO PERFORMING ANY WORK ON THIS PUMP.

MAINTAIN ALL SAFETY DECALS.



Hazardous fluids can cause fire, burns or death.

UNIT NOT DESIGNED FOR USE WITH HAZARDOUS LIQUIDS OR FLAMMABLE GASES. THESE FLUIDS MAY BE PRESENT IN CONTAINMENT AREAS.

DESCRIPTION and SPECIFICATIONS:

The Model LC is a close-coupled, end suction, two stage centrifugal for general liquid transfer service, booster applications, etc. Liquid-end construction is all AISI Type 304 stainless steel, stamped and welded. Impellers are fully enclosed, non-trimable to intermediate diameters. Casings are fitted with diffusers for efficiency and for negligible radial shaft loading.

All units have NEMA 48Y and 56Y motors with square flange mounting and threaded shaft extension.

1. IMPORTANT

- 1.1 Inspect unit for damage. Report any damage to carrier/dealer immediately.
- 1.2 Electrical supply must be a separate branch circuit with fuses or circuit breakers, wire sizes, etc., in compliance with National and Local electrical codes. Install an all-leg disconnect switch near pump.



ALWAYS DISCONNECT ELECTRICAL POWER WHEN HANDLING PUMP OR CONTROLS.

1.3 Motors must be wired for proper voltage. Motor wiring diagram is on motor nameplate. Wire size must limit maximum voltage drop to 10% of nameplate voltage at motor terminals, or motor life and pump performance will be lowered.

1.4 Always use horsepower-rated switches, contactor and starters.

1.5 Motor protection:

1.5.1 Single-phase: Thermal protection for single-phase units is sometimes built in (check nameplate). If no built-in protection is provided, use a contactor with a proper overload. Fusing is permissible.

1.5.2 Three-phase: Provide three-leg protection with properly sized magnetic starter and thermal overloads.

1.6 Maximum Operating Limits:

Liquid Temperature: 220°F (110°C)

Working Pressure: 125 PSI

Starts per Hour: 20, evenly distributed.

1.7 Regular inspection and maintenance will increase service life. Base schedule on operating time. Refer to Section 8.

2. INSTALLATION

2.1 Locate pump as near liquid source as possible (below level of liquid for automatic operation).

2.2 Protect from freezing or flooding.

2.3 Allow adequate space for servicing and ventilation.

2.4 All piping must be supported independently of the pump, and must “line-up” naturally.



NEVER DRAW PIPING INTO PLACE BY FORCING THE PUMP SUCTION AND DISCHARGE CONNECTIONS.

2.5 Avoid unnecessary fittings. Select sizes to keep friction losses to a minimum.

2.6 Units may be installed horizontally, inclined or vertically.



DO NOT INSTALL WITH MOTOR BELOW PUMP. ANY LEAKAGE OR CONDENSATION WILL AFFECT THE MOTOR.

2.7 Foundation must be flat and substantial to eliminate strain when tightening bolts. Use rubber mounts to minimize noise and vibration.

2.8 Tighten motor hold-down bolts before connecting piping to pump.

3. SUCTION PIPING

3.1 Low static suction lift and short, direct, suction piping is desired. Consult pump performance curve for *Net Positive Suction Head Required*.

3.2 Suction pipe must be at least as large as the suction connection of the pump. Smaller size will degrade performance.

3.3 If larger pipe is required, an eccentric pipe reducer (with straight side up) must be installed at the pump.

3.4 Installation with pump below source of supply:

3.4.1 Install full flow isolation valve in piping for inspection and maintenance.

CAUTION DO NOT USE SUCTION ISOLATION VALVE TO THROTTLE PUMP.

3.5 Installation with pump above source of supply:

3.5.1 Avoid air pockets. No part of piping should be higher than pump suction connection. Slope piping upward from liquid source.

3.5.2 All joints must be airtight.

3.5.3 Foot valve to be used only if necessary for priming, or to hold prime on intermittent service.

3.5.4 Suction strainer open area must be at least triple the pipe area.

3.6 Size of inlet from liquid source, and minimum submergence over inlet, must be sufficient to prevent air entering pump through vortexing. See Figures 1-4.

3.7 Use 3-4 wraps of Teflon™ tape to seal threaded connections.

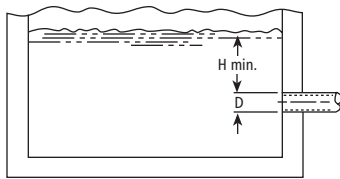


Figure 1

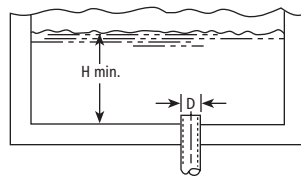


Figure 2

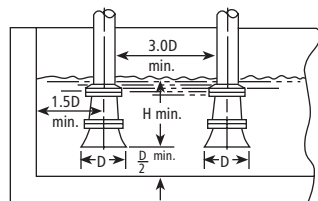


Figure 3

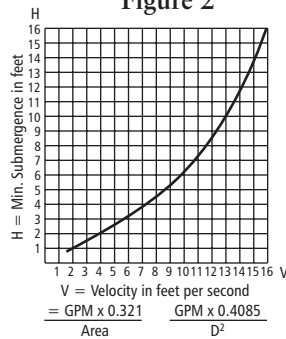


Figure 4

4. DISCHARGE PIPING

4.1 Allowance should be made for disconnecting discharge piping near casing to allow for pump disassembly.

4.2 Arrangement must include a check valve located between a gate valve and the pump. The gate valve is for regulation of capacity, or for inspection of the pump or check valve.

4.3 If an increaser is required, place between check valve and pump.

4.4 Use 3-4 wraps of Teflon tape to seal threaded connections.

5. ROTATION

5.1 Correct rotation is right-hand (clockwise when viewed from the motor end). Switch power on and off quickly. Observe shaft rotation. To change rotation:

5.1.1 Single-phase motor: Non-reversible

5.1.2 Three-phase motor: Interchange any two power supply leads.

6. OPERATION

6.1 Before starting, pump must be primed (free of air and suction pipe full of liquid) and discharge valve partially open.

6.2 Make complete check after unit is run under operating conditions and temperature has stabilized. Check for expansion of piping.

7. MAINTENANCE

7.1 Ball bearings are located in and are part of the motor. They are permanently lubricated. No greasing required.

CAUTION PUMPED LIQUID PROVIDES LUBRICATION. IF PUMP IS RUN DRY, ROTATING PARTS WILL SEIZE AND MECHANICAL SEAL WILL BE DAMAGED. DO NOT OPERATE AT OR NEAR ZERO FLOW. ENERGY IMPARTED TO THE LIQUID IS CONVERTED INTO HEAT. LIQUID MAY FLASH TO VAPOR. ROTATING PARTS REQUIRE LIQUID TO PREVENT SCORING OR SEIZING.

8. DISASSEMBLY

8.1 Complete disassembly of the unit will be described. Proceed only as far as required to perform the maintenance work required.

8.1.1 Turn off power.

8.1.2 Drain system and flush if necessary.

8.1.3 Disconnect discharge pipe from pump.

8.1.4 Remove motor hold-down bolts.

8.2 Disassembly of Liquid End

8.2.1 Remove casing screws and nuts.

8.2.2 Remove back pull-out assembly from casing.

8.2.3 Remove the first stage diffuser cover and casing o-ring.

8.2.4 Remove motor fan cover to expose wrench flats or slot on shaft end.

8.2.5 Hold shaft at flats to resist rotation, and remove impeller nut and washer.

CAUTION DO NOT INSERT SCREWDRIVER BETWEEN THE FAN BLADES TO PREVENT ROTATION.

NOTE: Notice the location of anti-rotation tabs and holes on items 10, 11, 12 and 13 these must be aligned and engaged for reassembly.

8.2.6 Remove the first stage impeller, impeller spacer, intermediate diffuser and last stage diffuser cover.

8.2.7 Remove the last stage impeller and last stage diffuser.

NOTE: Further disassembly will require removal of the mechanical seal. It is recommended that a new mechanical seal be installed at reassembly.

8.2.8 Lubricate the shaft with a 50/50 solution of glycerin and water. Remove the rotary portion of the mechanical seal.

8.2.9 Remove the pump body and motor adapter assembly from the motor.

8.2.10 Remove the stationary portion of the mechanical seal from the pump body.

8.2.11 Remove the motor adapter from the pump body.

8.2.12 To remove the pump shaft from the motor. Heat must be applied to the pump shaft at the largest diameter. This is required to break the bond of the Loctite® #271 between the pump and motor shafts.

9. REASSEMBLY

9.1 All parts should be cleaned before reassembly.

9.2 Refer to parts list to identify required replacement items. Specify pump index or catalog number when ordering parts.

9.3 Reassembly is the reverse of disassembly.

Observe the following when reassembling the pump:

9.4 Check the shaft runout. Maximum permissible is .010" TIR at the end of the shaft.

9.5 Apply Loctite 'PrimerN' and Loctite® #271 to motor shaft, thread pump shaft in place and torque to 30 lb. of torque.

9.6 Lubricate pump shaft and pump body stationary seat holder with a 50/50 glycerin and water solution prior to installation of mechanical seal components.

9.7 Inspect casing o-ring and impeller o-rings for damage or wear and replace if necessary.

9.8 O-rings may be lubricated with glycerin and water solution or petroleum jelly to ease assembly.

9.9 Tighten casing screws to 10 lb.ft. of torque using a star pattern to prevent o-ring binding.

10. TROUBLESHOOTING CHART

MOTOR NOT RUNNING

(See causes 1 through 6)

LITTLE OR NO LIQUID DELIVERED

(See causes 7 through 17)

POWER CONSUMPTION TOO HIGH

(See causes 4, 17, 18, 19, 22)

EXCESSIVE NOISE AND VIBRATION

(See causes 4, 6, 9, 13, 15, 16, 18, 20, 21, 22)

PROBABLE CAUSE

1. Tripped thermal protector
2. Open circuit breaker
3. Blown fuse
4. Rotating parts binding
5. Motor wired improperly
6. Defective motor
7. Not primed
8. Discharge plugged or valve closed
9. Incorrect rotation
10. Foot valve too small, suction not submerged, inlet screen plugged
11. Low voltage
12. Phase loss (3-phase only)
13. Air or gasses in liquid
14. System head too high
15. NPSHA too low:
Suction lift too high or suction losses excessive
Check with vacuum gauge
16. Impeller worn or plugged
17. Incorrect impeller diameter
18. Head too low, causing excessive flow rate
19. Viscosity or specific too high
20. Worn bearings
21. Pump or piping loose
22. Pump and motor misaligned

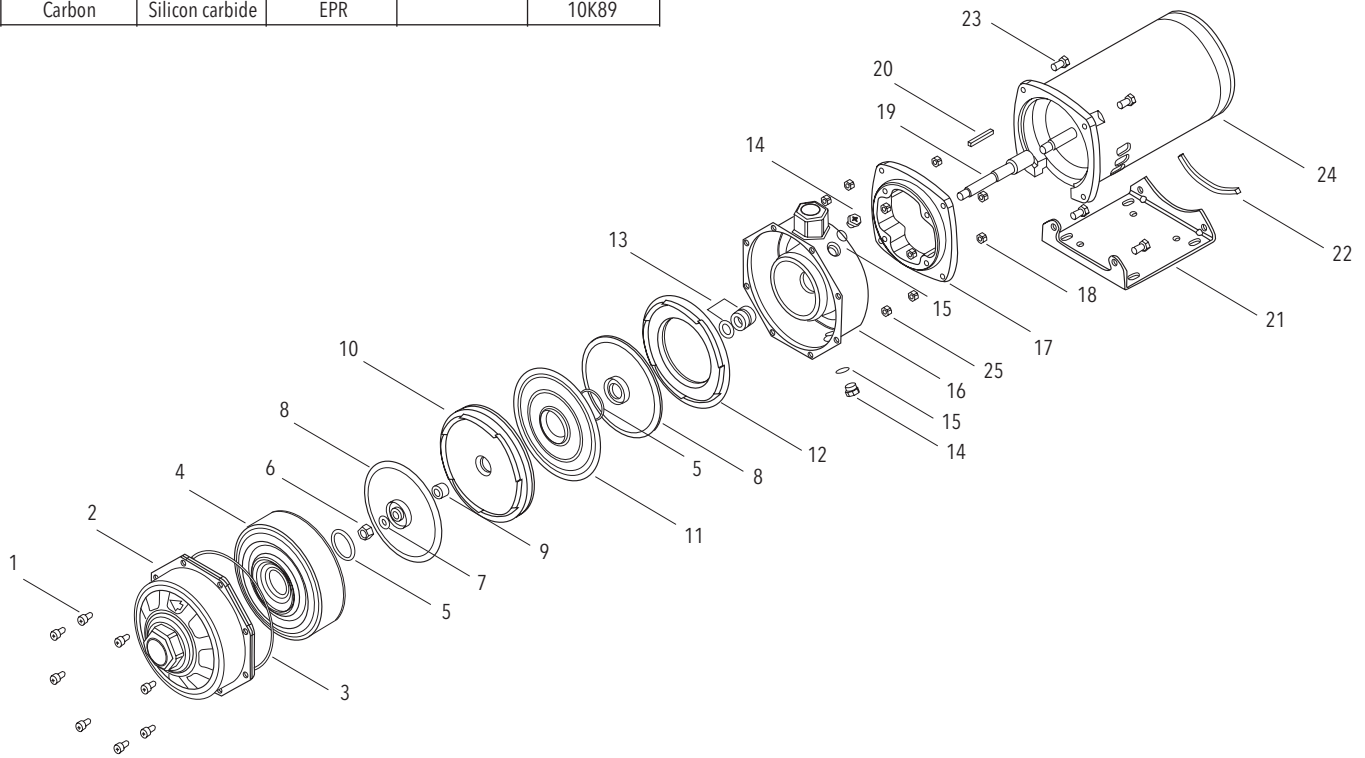
PARTS LIST

| Item No. | Description | Materials |
|----------|-----------------------------|--|
| 1 | Screw, casing | 304SS |
| 2 | Pump casing, suction | 304SS |
| 3 | O-ring, casing | Viton Optional EPR Optional BUNA |
| 4 | Diffuser cover, first stage | 304SS |
| 5 | O-ring, impeller | Viton Optional EPR Optional BUNA |
| 6 | Impeller nut | 304SS |
| 7 | Impeller lock washer | 400SS |
| 8 | Impeller | 304SS |
| 9 | Impeller spacer | 304SS |
| 10 | Diffuser, intermediate | 304SS |
| 11 | Diffuser cover, last stage | 304SS |
| 12 | Diffuser, last stage | 304SS |

| Item No. | Description | Materials |
|----------|--|-----------|
| 13 | Mechanical seal | Varies |
| 14 | Fill and drain plug | 304SS |
| 15 | O-ring, fill and drain plug | Viton |
| 16 | Pump body with plug | 304SS |
| 17 | Motor adapter | Cast iron |
| 18 | Locknut, motor adapter to pump | Steel |
| 19 | Shaft, pump | 304SS |
| 20 | Key, impeller | 304SS |
| 21 | Foot, pump | Steel |
| 22 | Spacer | Rubber |
| 23 | Screw, motor adapter to pump | Steel |
| 24 | Motor, 3 phase ODP Motor, 1 phase ODP Motor, 3 phase TEFC Motor, 1 phase TEFC | 303SS |
| 25 | Nut, casing screw | 304SS |

MECHANICAL SEAL APPLICATION CHART

| Rotary | Stationary | Elastomer | Metal Parts | Part No. |
|-----------------|-----------------|-----------|-------------|----------|
| Carbon | Ceramic | Viton | 316SS | 10K92 |
| | Silicon carbide | | | 10K87 |
| Silicon carbide | 10K88 | | | |
| Carbon | Silicon carbide | EPR | | 10K89 |



GOULDS WATER TECHNOLOGY LIMITED WARRANTY

This warranty applies to all water systems pumps manufactured by Goulds Water Technology.

Any part or parts found to be defective within the warranty period shall be replaced at no charge to the dealer during the warranty period. The warranty period shall exist for a period of twelve (12) months from date of installation or eighteen (18) months from date of manufacture, whichever period is shorter.

A dealer who believes that a warranty claim exists must contact the authorized Goulds Water Technology distributor from whom the pump was purchased and furnish complete details regarding the claim. The distributor is authorized to adjust any warranty claims utilizing the Goulds Water Technology Customer Service Department.

The warranty excludes:

- (a) Labor, transportation and related costs incurred by the dealer;
- (b) Reinstallation costs of repaired equipment;
- (c) Reinstallation costs of replacement equipment;
- (d) Consequential damages of any kind; and,
- (e) Reimbursement for loss caused by interruption of service.

For purposes of this warranty, the following terms have these definitions:

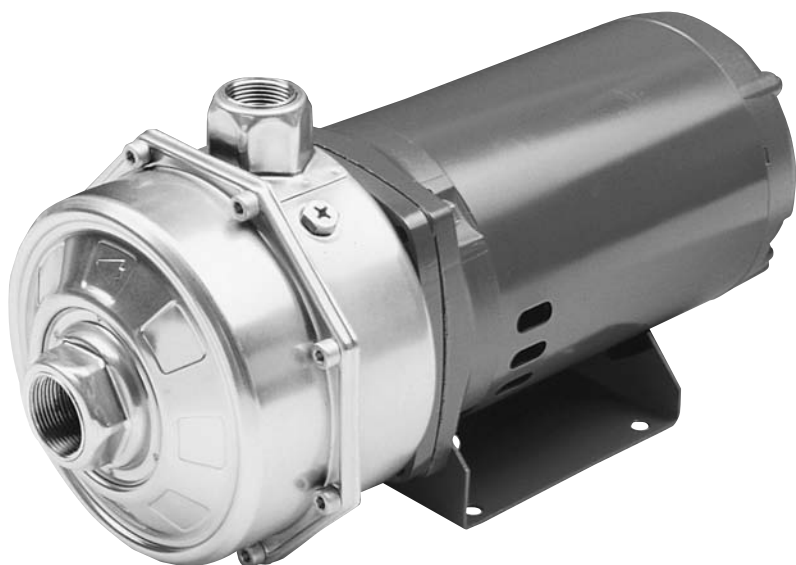
- (1) "Distributor" means any individual, partnership, corporation, association, or other legal relationship that stands between Goulds Water Technology and the dealer in purchases, consignments or contracts for sale of the subject pumps.
- (2) "Dealer" means any individual, partnership, corporation, association, or other legal relationship which engages in the business of selling or leasing pumps to customers.
- (3) "Customer" means any entity who buys or leases the subject pumps from a dealer. The "customer" may mean an individual, partnership, corporation, limited liability company, association or other legal entity which may engage in any type of business.

THIS WARRANTY EXTENDS TO THE DEALER ONLY.



Xylem, Inc.
2881 East Bayard Street Ext., Suite A
Seneca Falls, NY 13148
Phone: (800) 453-6777
Fax: (888) 322-5877
www.xylem.com/brands/gouldswatertechnology

Goulds is a registered trademark of Goulds Pumps, Inc. and is used under license.
© 2012 Xylem Inc. IM024 Revision Number 6 July 2012



Modelo LC

INSTRUCCIONES DE INSTALACIÓN, FUNCIONAMIENTO Y MANTENIMIENTO

| TEMA | PÁGINA |
|--|--------|
| Instrucciones de Seguridad | 10 |
| Notas Importantes..... | 10 |
| Instalación..... | 10 |
| Tubería de Succión | 11 |
| Tubería de Descarga | 11 |
| Rotación..... | 11 |
| Operación | 11 |
| Mantenimiento..... | 11 |
| Desarmado | 12 |
| Rearmado..... | 12 |
| Cuadro de Identificación de Problemas..... | 12 |
| Lista de Partes | 13 |
| Tabla de Aplicación del Sello Mecánico | 13 |
| Garantía Limitada | 13 |
| Declaración de Conformidad..... | 21 |

Información para el propietario

Número de modelo de la bomba: _____

Número de serie de la bomba: _____

Representante: _____

Número telefónico del representante: _____

Fecha de compra: _____

Fecha de Instalación: _____

Lecturas actuales de la puesta en servicio:

| 1 Ø | 3 Ø | L1-2 | L2-3 | L3-1 |
|----------------|----------------|-------|-------|-------|
| Amps: _____ | Amps: _____ | _____ | _____ | _____ |
| Voltios: _____ | Voltios: _____ | _____ | _____ | _____ |

INSTRUCCIONES DE SEGURIDAD

PARA EVITAR LESIONES PERSONALES GRAVES O FATALES, Y DAÑOS SIGNIFICATIVOS A LA PROPIEDAD, LEA Y SIGA TODAS LAS INSTRUCCIONES DE SEGURIDAD QUE SE ENCUENTRAN EN ESTE MANUAL O EN LA BOMBA.

ESTE MANUAL TIENE LA FUNCIÓN DE ASISTIRLO EN LA INSTALACIÓN Y OPERACIÓN DE ESTA UNIDAD Y DEBE CONSERVARSE CON LA BOMBA.



Éste es un **SÍMBOLO DE ALERTA DE SEGURIDAD**. Cuando vea este símbolo sobre la bomba o en el manual, localice una de las siguientes palabras de señalización y esté alerta ante posibles lesiones personales o daños a la propiedad.



PELIGRO Advierte sobre los peligros que **PROVOCARÁN** lesiones graves, muerte o daños significativos a la propiedad.



ADVERTENCIA Advierte sobre los peligros que **PUEDEN PROVOCAR** lesiones graves, muerte o daños significativos a la propiedad.



PRECAUCIÓN Advierte sobre los peligros que **PROVOCARÁN** o **PUEDEN PROVOCAR** lesiones o daños a la propiedad.

AVISO: INDICA QUE EXISTEN INSTRUCCIONES ESPECIALES MUY IMPORTANTES QUE DEBEN RESPETARSE.

EXAMINE COMPLETAMENTE TODAS LAS INSTRUCCIONES Y ADVERTENCIAS ANTES DE REALIZAR CUALQUIER TRABAJO EN ESTA BOMBA. CONSERVE TODAS LAS CALCOMANÍAS.



ESTA UNIDAD NO SE ENCUENTRA DISEÑADA PARA SER USADA CON LÍQUIDOS O GASES INFLAMABLES. ESTOS FLUIDOS PUEDEN ESTAR PRESENTES EN ÁREAS CONTAMINADAS.

Los fluidos peligrosos pueden causar incendios, quemaduras o la muerte.

DESCRIPCIÓN Y ESPECIFICACIONES

extremo de succión y de acoplamiento cerrado para el servicio de transferencia general de líquidos, aplicaciones de unidades reforzadoras, etc. El extremo de líquido es totalmente de acero inoxidable AISI tipo 304 estampado y soldado. Los impulsores son del tipo totalmente encerrado y no pueden regularse a diámetros intermedios. Las carcasas están equipadas con difusores para mejorar la eficiencia y para aplicar una carga insignificante del eje radial.

Todas las unidades tienen motores NEMA 48Y o 56Y con montaje de brida cuadrada y extensión de eje roscado.

1. IMPORTANTE

- 1.1 Inspeccione la unidad para determinar si está dañada. Notifique cualquier daño al transportista/agente de inmediato.
- 1.2 El suministro eléctrico debe ser un circuito derivado separado con fusibles o cortacircuitos, tamaños de alambre, etc. en cumplimiento con los códigos eléc-

tricos nacionales y locales. Instale un desconectador de todos los circuitos, cerca de la bomba.



SIEMPRE DESCONECTE LA CORRIENTE ELÉCTRICA CUANDO MANEJE LA BOMBA O LOS CONTROLES.

- 1.3 Los motores deben cablearse para la tensión apropiada. El diagrama de cableado del motor está en la placa del fabricante del motor. El tamaño del alambre debe limitar la caída máxima de tensión al 10% de la tensión de la placa del fabricante en los terminales del motor; de lo contrario se reducirá la vida útil del motor y disminuirá el rendimiento de la bomba.
- 1.4 Siempre utilice interruptores, contactadores y arrancadores de potencia nominal.
- 1.5 Protección del motor:
 - 1.5.1 Unidades monofásicas: A veces la protección térmica para unidades monofásicas está incorporada (consulte la placa del fabricante). Si no se proporciona protección incorporada, utilice un contactador con una sobrecarga apropiada. Se permite instalar fusibles.
 - 1.5.2 Unidades trifásicas: Proporcione protección de tres circuitos derivados con arrancador magnético y sobrecargas térmicas del tamaño adecuado.

1.6 Límites máximos de operación:

Temperatura del líquido: 220°F (110°C)
Presión de trabajo: 125 lbs./pulg. cuadrada
Arranques por hora: 20, distribuidos uniformemente.

- 1.7 La inspección y el mantenimiento regulares aumentarán la vida de servicio. Base la programación en el tiempo de operación. Consulte la Sección 8.

2. INSTALACIÓN

- 2.1 Sitúe la bomba lo más cerca posible de la fuente de líquido (por debajo del nivel de líquido para la operación automática).
- 2.2 Proteja la bomba contra la congelación o inundación.
- 2.3 Deje un espacio adecuado para el mantenimiento y la ventilación.
- 2.4 Todas las tuberías deben apoyarse independientemente de la bomba y deben "alinearse" naturalmente.



NUNCA INSTALE LA TUBERÍA EN POSICIÓN FORZANDO LAS CONEXIONES DE SUCCIÓN Y DE DESCARGA DE LA BOMBA.

- 2.5 Evite el uso de accesorios innecesarios. Seleccione los tamaños para mantener las pérdidas por fricción a un mínimo.
- 2.6 Las unidades pueden instalarse horizontales, inclinadas o verticales.



NO INSTALAR CON EL MOTOR DEBAJO DE LA BOMBA. CUALQUIER FUGA O CONDENSACIÓN AFECTARÁ EL MOTOR.

- 2.7 El cemento debe ser plano y substancial para eliminar el esfuerzo cuando se aprieten los pernos. Utilice monturas de caucho para reducir al mínimo el ruido y la vibración.
- 2.8 Apriete los pernos de sujeción del motor antes de conectar las tuberías a la bomba.

3. TUBERÍAS DE SUCCIÓN

- 3.1 Se desea una elevación de succión estática baja y una tubería de succión corta y directa. Consulte la curva de rendimiento de la bomba con respecto a la carga de succión positiva neta requerida.
- 3.2 La tubería de succión debe ser al menos del mismo tamaño que la conexión de succión de la bomba. Un tamaño más pequeño degradará el rendimiento.
- 3.3 Si se requiere un tubo más grande, debe instalarse un reductor de tubo excéntrico (con el lado recto hacia arriba) en la bomba.
- 3.4 Instalación con la bomba debajo de la fuente de suministro:
- 3.4.1 Instale una válvula de aislamiento de flujo completo en la tubería para las operaciones de inspección y mantenimiento.

PRECAUCIÓN NO UTILICE LA VÁLVULA DE AISLAMIENTO DE SUCCIÓN PARA REGULAR LA BOMBA.

- 3.5 Instalación con la bomba sobre la fuente de suministro:
- 3.5.1 Evite las bolsas de aire. Ninguna parte de la tubería debe estar más alta que la conexión de succión de la bomba. Incline la tubería hacia arriba de la fuente de líquido.
- 3.5.2 Todas las juntas deben ser herméticas.
- 3.5.3 Sólo debe usarse una válvula de aspiración si es necesario para el cebado o para retener el cebado en servicio intermitente.
- 3.5.4 El área abierta del colador de succión debe ser al menos el triple del área del tubo.

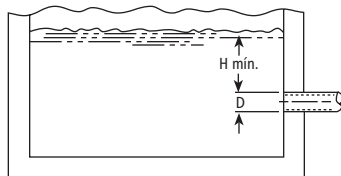


Figura 1

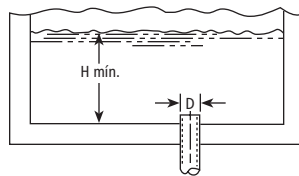


Figura 2

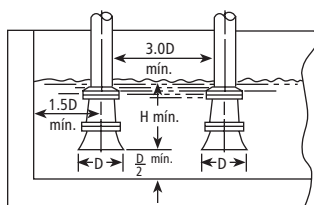


Figura 3

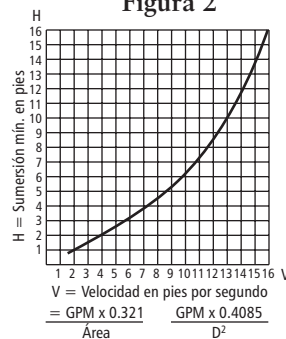


Figura 4

- 3.6 El tamaño de la entrada de la fuente de líquido y la sumersión mínima sobre la entrada deben ser suficientes para evitar la entrada de aire a través de un vórtice. Consulte las figuras 1 a 4.
- 3.7 Aplique tres o cuatro vueltas de cinta de Teflon para sellar las conexiones roscadas.

4. TUBERÍAS DE DESCARGA

- 4.1 Debe incluirse un dispositivo para desconectar la tubería de descarga cerca de la carcasa para permitir desmontar la bomba.
- 4.2 El dispositivo debe incluir una válvula de retención situada entre una válvula de compuerta y la bomba. La válvula de compuerta es para regular la capacidad o para inspeccionar la bomba o la válvula de retención.
- 4.3 Si se requiere un aumentador, colóquelo entre la válvula de retención y la bomba.
- 4.4 Aplique tres o cuatro vueltas de cinta de Teflon para sellar las conexiones roscadas.

5. ROTACIÓN

- 5.1 La rotación correcta es hacia la derecha (en el sentido de las agujas del reloj cuando se mira desde el extremo del motor). Encienda y apague el suministro eléctrico rápidamente. Observe la rotación del eje. Para cambiar la rotación:
- 5.1.1 Motor monofásico: no reversible
- 5.1.2 Motor trifásico: Intercambie dos conductores de suministro eléctrico cualesquiera.

6. OPERACIÓN

- 6.1 Antes de arrancar, la bomba debe cebarse (sin aire y la tubería de succión debe estar llena de líquido) y la válvula de descarga debe estar parcialmente abierta.
- 6.2 Efectúe una revisión completa después de haber hecho funcionar la unidad en las condiciones de operación y después que se haya estabilizado la temperatura. Revise para determinar si se ha expandido la tubería.

7. MANTENIMIENTO

- 7.1 Los rodamientos están situados en el motor y forman parte del mismo. Están permanentemente lubricados. No se requiere engrasar.

PRECAUCIÓN EL LÍQUIDO BOMBEADO PROPORCIONA LUBRICACIÓN. SI LA BOMBA SE HACE FUNCIONAR SECA, LAS PARTES GIRATORIAS SE AFERRARÁN Y SE DAÑARÁ EL SELLO MECÁNICO. NO HAGA FUNCIONAR LA UNIDAD CON UN FLUJO DE CERO O CERCA DE CERO. LA ENERGÍA APLICADA AL LÍQUIDO SE CONVIERTE EN CALOR. EL LÍQUIDO PODRÍA VAPORIZARSE INSTANTÁNEAMENTE. LAS PARTES GIRATORIAS REQUIEREN LÍQUIDO PARA EVITAR LAS RAYADURAS O AFERRAMIENTO.

8. DESARMADO

- 8.1 Se describirá el desmontaje completo de la unidad.
Desmante sólo lo necesario para realizar el trabajo de mantenimiento requerido.
 - 8.1.1 Apague la unidad.
 - 8.1.2 Drene el sistema y enjuáguelo si es necesario.
 - 8.1.3 Desconecte el tubo de descarga de la bomba.
 - 8.1.4 Quite los pernos de sujeción del motor.
- 8.2 Desmontaje del extremo del líquido
 - 8.2.1 Quite los tornillos y pernos de la carcasa.
 - 8.2.2 Retire el conjunto de desmontaje trasero de la carcasa.
 - 8.2.3 Retire la tapa del difusor de la primera etapa y el anillo en O de la carcasa.
 - 8.2.4 Retire la tapa del ventilador del motor para dejar al descubierto las secciones planas o ranura para la llave en el extremo del eje.
 - 8.2.5 Sujete el eje en las secciones planas para resistir la rotación y retire la tuerca y arandela del impulsor.

 **PRECAUCIÓN** NO INSERTE UN DESTORNILLADOR ENTRE LAS PALETAS DEL VENTILADOR PARA EVITAR LA ROTACIÓN.

NOTA: Note la ubicación de las lengüetas antirrotación y los orificios en los artículos 10, 11, 12 y 13; estos deben alinearse y engancharse para el rearmado.

- 8.2.6 Retire el impulsor de la primera etapa, espaciador del impulsor, difusor intermedio y la tapa del difusor de la última etapa.
- 8.2.7 Retire el impulsor de la última etapa y el difusor de la última etapa.

NOTA: El desmontaje adicional requerirá retirar el sello mecánico. Se recomienda instalar un nuevo sello mecánico al reensamblar.

- 8.2.8 Lubrique el eje con una solución 50/50 de glicerina y agua. Retire la parte mecánica del sello mecánico.
- 8.2.9 Retire el cuerpo de la bomba y el conjunto del adaptador para el motor del motor.
- 8.2.10 Retire la parte estacionaria del sello mecánico del cuerpo de la bomba.
- 8.2.11 Retire el adaptador para el motor del cuerpo de la bomba.
- 8.2.12 Para retirar el eje de la bomba del motor debe aplicarse calor al eje de la bomba en el diámetro más grande. Esto es necesario para desprender la adherencia del compuesto Loctite #271 entre los ejes de la bomba y del motor.

9. REARMADO

- 9.1 Deben limpiarse todas las partes antes del reensamblaje.
- 9.2 Consulte la lista de partes para identificar los artículos de reemplazo requeridos. Especifique el número de índice o de catálogo cuando ordene partes.
- 9.3 Reensamble en el orden inverso del desmontaje.

Observe lo siguiente cuando reensamble la bomba:

- 9.4 Verifique la deflexión del eje. El valor máximo permitido es 0.010 pulg. TIR (lectura total del indicador) en el extremo del eje.
- 9.5 Aplique Loctite 'Primer N' y Loctite #271 al eje del motor, atornille el eje de la bomba en posición y torsione a 30 lbs.
- 9.6 Lubrique el eje de la bomba y el portaasiento estacionario del cuerpo de la bomba con una solución 50/50 de glicerina y agua antes de la instalación de los componentes del sello mecánico.
- 9.7 Inspeccione el anillo en O de la carcasa y los anillos en O del impulsor para determinar si están dañados o gastados y reemplácelos si es necesario.
- 9.8 Los anillos en O pueden lubricarse con una solución de glicerina y agua o gelatina de petróleo para facilitar el montaje.
- 9.9 Apriete los tornillos de la carcasa a una torsión de 10 lb.-pies en una configuración de estrella para evitar el atascamiento de los anillos en O.

10. CUADRO DE IDENTIFICACIÓN DE PROBLEMAS

EL MOTOR NO ESTÁ FUNCIONANDO
(Ver las causas 1 a 6)

SE ENTREGA POCO O NADA DE LÍQUIDO
(Ver las causas 7 a 17)

EL CONSUMO DE ELECTRICIDAD ES DEMASIADO ALTO
(Ver las causas 4, 17, 18, 19, 22)

RUIDO Y VIBRACIÓN EXCESIVOS
(Ver las causas 4, 6, 9, 13, 15, 16, 18, 20, 21, 22)

CAUSA PROBABLE

1. Protector térmico disparado
2. Cortacircuitos abierto
3. Fusible quemado
4. Roce de las partes giratorias
5. Cableado incorrecto del motor
6. Motor defectuoso
7. Falta de cebado
8. Descarga bloqueada o válvula cerrada
9. Rotación incorrecta
10. Válvula de aspiración demasiado pequeña, la succión no está sumergida, el filtro de entrada está tapado
11. Baja tensión
12. Pérdida de fase (unidades trifásicas únicamente)
13. Aire o gases en el líquido
14. Carga del sistema demasiado alta
15. Carga de succión positiva neta disponible (NPSHA) demasiado baja:
Elevación de succión demasiado alta o pérdidas de succión excesivas
Revise con un indicador de vacío
16. Impulsor gastado o taponado
17. Diámetro incorrecto del impulsor
18. Carga demasiado baja, produciendo una velocidad de flujo excesiva
19. Viscosidad o peso específico del fluido demasiado alto
20. Cojinetes gastados
21. Bomba o tubería suelta
22. Bomba y motor desalineados

LISTA DE PARTES

| Artículo N°. | Descripción | Materiales |
|--------------|---|--|
| 1 | Tornillo, de la carcasa | Acero inox. 304 |
| 2 | Carcasa de la bomba, extremo de succión | Acero inox. 304 |
| 3 | Anillo en O, de la carcasa | Viton EPR opcional BUNA opcional |
| 4 | Tapa del difusor, primera etapa | Acero inox. 304 |
| 5 | Anillo en O, del impulsor | Viton EPR opcional BUNA opcional |
| 6 | Tuerca del impulsor | Acero inox. 304 |
| 7 | Arandela de seguridad del impulsor | Acero inox. 400 |
| 8 | Impulsor | Acero inox. 304 |
| 9 | Espaciador del impulsor | Acero inox. 304 |
| 10 | Difusor, intermedio | Acero inox. 304 |
| 11 | Difusor, tapa, última etapa | Acero inox. 304 |
| 12 | Difusor, última etapa | Acero inox. 304 |

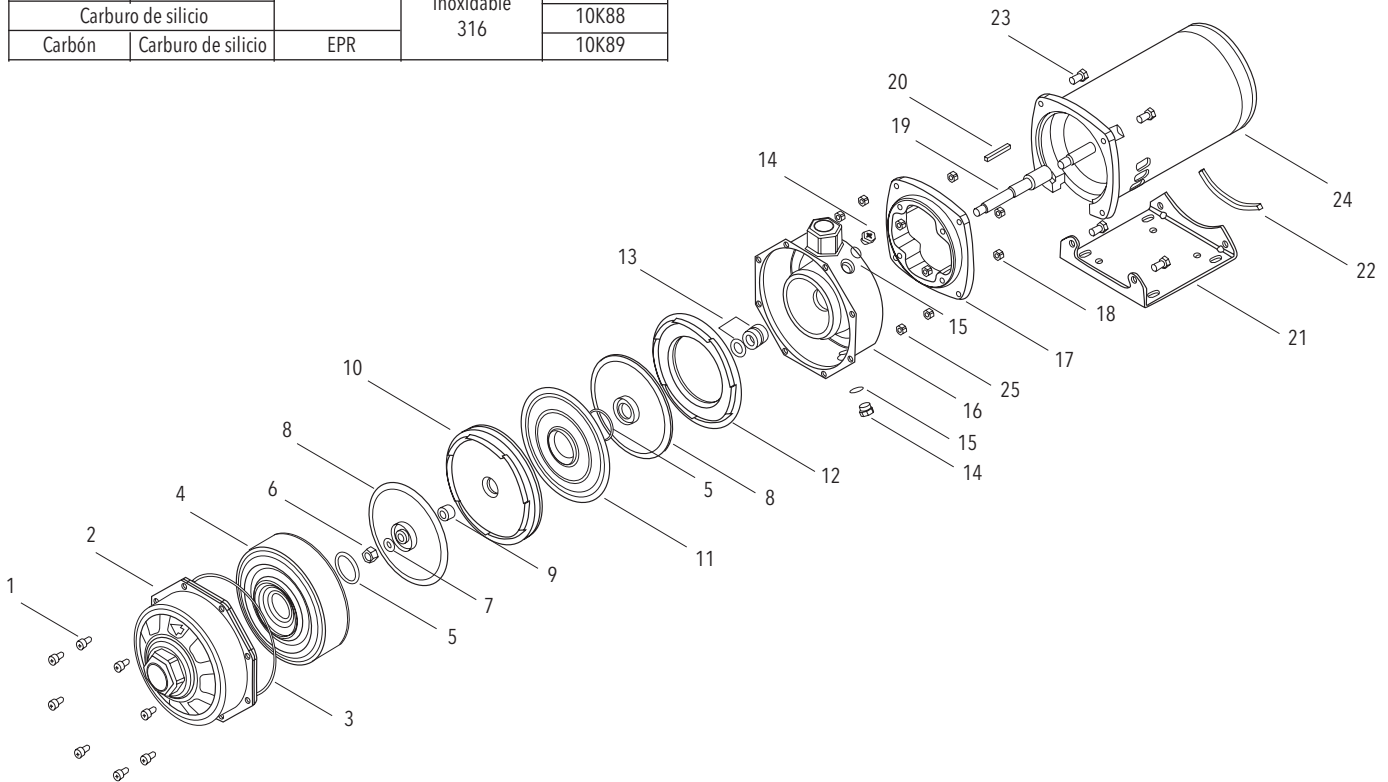
| Artículo N°. | Descripción | Materiales |
|--------------|---|-----------------|
| 13 | Sello mecánico | Varía |
| 14 | Tapón de llenado y drenaje | Acero inox. 304 |
| 15 | Anillo en O, tapón de llenado y drenaje | Viton |
| 16 | Cuerpo de la bomba con tapón | Acero inox. 304 |
| 17 | Adaptador para el motor | Hierro fundido |
| 18 | Contratuercas, adaptador para el motor a la bomba | Acero |
| 19 | Eje, de la bomba | Acero inox. 304 |
| 20 | Chaveta, del impulsor | Acero inox. 304 |
| 21 | SopORTE, de la bomba | Acero |
| 22 | Espaciador | Caucho |
| 23 | Tornillo, adaptador para el motor a la bomba | Acero |
| 24 | Motor, trifásico, ODP Motor, monofásico, abierto resguardado, ODP Motor, trifásico, TEFC Motor, monofásico, TEFC | Acero inox. 303 |
| 25 | Tuerca, tornillo de la carcasa | Acero inox. 304 |

ODP = abierto resguardado

TEFC = totalmente encerrado y enfriado con ventilador

TABLA DE APLICACIÓN DEL SELLO MECÁNICO

| Giratorio | Estacionario | Elastómero | Partes de metal | N° de parte |
|-----------|--------------------|------------|----------------------|-------------|
| Carbón | Cerámica | Viton | Acero inoxidable 316 | 10K92 |
| | Carburo de silicio | | | 10K87 |
| | Carburo de silicio | | | 10K88 |
| Carbón | Carburo de silicio | EPR | | 10K89 |



GARANTÍA LIMITADA DE GOULDS WATER TECHNOLOGY

Esta garantía es aplicable a todas las bombas para sistemas de agua fabricadas por Goulds Water Technology.

Toda parte o partes que resulten defectuosas dentro del período de garantía serán reemplazadas sin cargo para el comerciante durante dicho período de garantía. Tal período de garantía se extiende por doce (12) meses a partir de la fecha de instalación, o dieciocho (18) meses a partir de la fecha de fabricación, cualquiera se cumpla primero.

Todo comerciante que considere que existe lugar a un reclamo de garantía deberá ponerse en contacto con el distribuidor autorizado de Goulds Water Technology del cual adquiriera la bomba, y ofrecer información detallada con respecto al reclamo. El distribuidor está autorizado a liquidar todos los reclamos por garantía a través del Departamento de Servicios a Clientes de Goulds Water Technology.

La presente garantía excluye:

- (a) La mano de obra, el transporte y los costos relacionados en los que incurra el comerciante;
- (b) los costos de reinstalación del equipo reparado;
- (c) los costos de reinstalación del equipo reemplazado;
- (d) daños emergentes de cualquier naturaleza; y
- (e) el reembolso de cualquier pérdida causada por la interrupción del servicio.

A los fines de esta garantía, los términos “Distribuidor”, “Comerciante” y “Cliente” se definen como sigue:

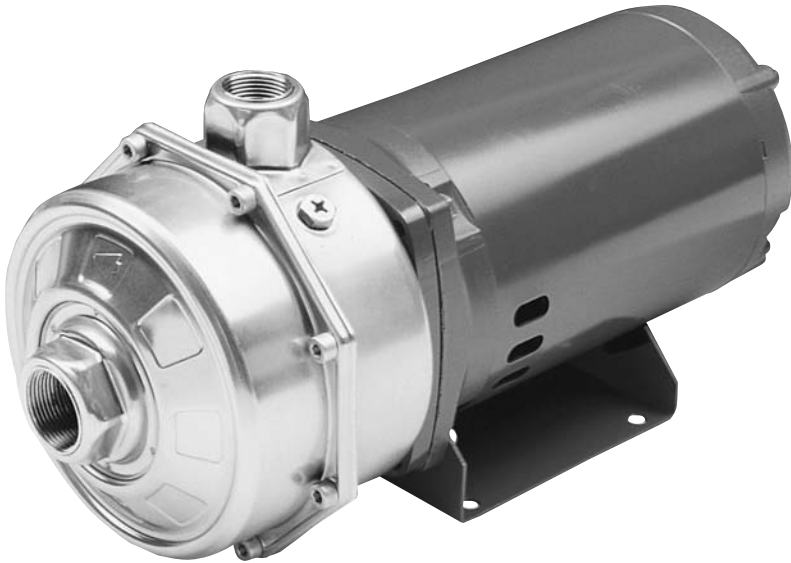
- (1) “Distribuidor” es aquel individuo, sociedad, corporación, asociación u otra entidad jurídica que opera entre Goulds Water Technology y el comerciante para la compra, consignación o contratos de venta de las bombas en cuestión.
- (2) “Comerciante” es todo individuo, sociedad, corporación, asociación u otra entidad jurídica que realiza negocios de venta o alquiler-venta (leasing) de bombas a clientes.
- (3) “Cliente” es toda entidad que compra o que adquiere bajo la modalidad de leasing las bombas en cuestión de un comerciante. El término “cliente” puede significar un individuo, una sociedad, una corporación, una sociedad de responsabilidad limitada, una asociación o cualquier otra entidad jurídica con actividades en cualquier tipo de negocios.

LA PRESENTE GARANTÍA SE EXTIENDE AL COMERCIANTE ÚNICAMENTE



Xylem, Inc.
2881 East Bayard Street Ext., Suite A
Seneca Falls, NY 13148
Teléfono: (800) 453-6777
Fax: (888) 322-5877
www.xylem.com/brands/gouldswatertechnology

Goulds es una marca registrada de Goulds Pumps, Inc. y se utiliza bajo licencia.
© 2012 Xylem Inc. IM024 Revisión Número 6 Julio 2012



Modèle LC

DIRECTIVES D'INSTALLATION, D'UTILISATION ET D'ENTRETIEN

| SUJET | PAGE |
|--|------|
| Consignes de Sécurité..... | 17 |
| Informations Importantes..... | 17 |
| Installation | 17 |
| Tuyauterie D'aspiration..... | 18 |
| Tuyauterie de Refoulement..... | 18 |
| Rotation | 18 |
| Utilisation..... | 18 |
| Entretien | 18 |
| Démontage..... | 19 |
| Remontage | 19 |
| Diagnostic des Anomalies | 19 |
| Liste de Pièces | 20 |
| Table des Garnitures (Joints) Mécaniques | 20 |
| Garantie Limitée..... | 20 |
| Déclaration de Conformité..... | 21 |

Informations pour le propriétaire

Numéro de modèle de la pompe : _____

Numéro de série de la pompe : _____

Détaillant : _____

N° de téléphone du détaillant : _____

Date d'achat : _____

Date d'installation : _____

Courant mesuré au démarrage :

| 1 Ø | 3 Ø | L1-2 | L2-3 | L3-1 |
|-----------|-----------|-------|-------|-------|
| A : _____ | A : _____ | _____ | _____ | _____ |
| V : _____ | V : _____ | _____ | _____ | _____ |

CONSIGNES DE SÉCURITÉ

AFIN DE PRÉVENIR LES BLESSURES GRAVES OU MORTELLES ET LES DOMMAGES MATÉRIELS IMPORTANTS, LIRE ET SUIVRE TOUTES LES CONSIGNES DE SÉCURITÉ FIGURANT DANS LE MANUEL ET SUR LA POMPE.

LE PRÉSENT MANUEL A POUR BUT DE FACILITER L'INSTALLATION ET L'UTILISATION DE LA POMPE ET DOIT RESTER PRÈS DE CELLE-CI.



Le symbole ci-contre est un SYMBOLE DE SÉCURITÉ employé pour signaler les mots-indicateurs dont on trouvera la description ci-dessous. Sa présence sert à attirer l'attention afin d'éviter les blessures et les dommages matériels.



Préviens des risques qui VONT causer des blessures graves, la mort ou des dommages matériels importants.



Préviens des risques qui PEUVENT causer des blessures graves, la mort ou des dommages matériels importants.



Préviens des risques qui PEUVENT causer des blessures ou des dommages matériels.

AVIS : SERT À ÉNONCER LES DIRECTIVES SPÉCIALES DE GRANDE IMPORTANCE QUE L'ON DOIT SUIVRE.

LIRE SOIGNEUSEMENT CHAQUE DIRECTIVE ET AVERTISSEMENT AVANT D'EFFECTUER TOUT TRAVAIL SUR LA POMPE.

N'ENLEVER AUCUN AUTOCOLLANT DE SÉCURITÉ.



Les fluides dangereux peuvent causer un incendie, des brûlures ou la mort.

APPAREIL NON CONÇU POUR LES LIQUIDES DANGEREUX NI POUR LES GAZ INFLAMMABLES. CES FLUIDES POURRAIENT ÊTRE PRÉSENTS DANS LES INSTALLATIONS DE CONFINEMENT (PUITS COLLECTEURS).

DESCRIPTION et CARACTÉRISTIQUES

Le modèle LC est une pompe centrifuge à deux étages formant un groupe monobloc (montée sur moteur), à aspiration en bout, servant au transfert de liquides de nature générale, à l'augmentation de pression, etc. La tête de pompage est tout en inox AISI de type 304 estampé et soudé. Les roues sont fermées et ne peuvent être réduites à un diamètre intermédiaire. Le corps de pompe est muni de diffuseurs pour améliorer le rendement et rendre la charge radiale de l'arbre négligeable.

La LC est dotée d'un moteur conforme aux normes NEMA 48Y et 56Y, muni d'une bride de fixation carrée et d'un arbre-rallonge fileté.

1. INFORMATIONS IMPORTANTES

- 1.1. Inspecter l'appareil et signaler immédiatement tout dommage au transporteur ou au détaillant.
- 1.2. L'alimentation électrique doit être assurée par un circuit de dérivation distinct dont les fusibles ou les disjoncteurs, le calibre des fils, etc. sont conformes aux prescriptions du code provincial ou national de

l'électricité. Poser un sectionneur tout conducteur près de la pompe.



ON DOIT TOUJOURS COUPER LE COURANT LORSQUE L'ON EFFECTUE QUELQUE TRAVAIL QUE CE SOIT SUR LA POMPE OU LES COMMANDES.

- 1.3. Le câblage d'alimentation du moteur doit convenir à la tension de fonctionnement. Le schéma de câblage se trouve sur la plaque signalétique du moteur. Les fils doivent avoir un calibre limitant la chute de tension maximale, aux bornes du moteur, à 10 % de la valeur de tension indiquée sur la plaque signalétique, sinon la durée de vie du moteur et les performances de la pompe diminueront.
- 1.4. Il faut toujours employer des contacteurs et des démarreurs de puissance nominale en horse-power (hp).
- 1.5. **Protection du moteur**
 - 1.5.1. Moteurs monophasés – Ces moteurs sont parfois munis d'une protection thermique intégrée (voir la plaque signalétique). Dans le cas contraire, utiliser un contacteur à protection appropriée contre les surcharges. Les dispositifs fusibles sont admissibles.
 - 1.5.2. Moteurs triphasés – Employer une protection trois conducteurs appropriée contre les surcharges thermiques ainsi qu'un démarreur magnétique convenant à la charge électrique.
- 1.6. Limites d'utilisation maximales
 - Température du liquide : 110 °C (220 °F)
 - Pression : 125 lb/po²
 - Démarrages par heure : 20, répartis uniformément
- 1.7. Une inspection et un entretien réguliers augmenteront la durée de vie de l'appareil. Établir un programme d'entretien et d'inspection basé sur le temps de fonctionnement. Voir la section 8.

2. INSTALLATION

- 2.1. Placer la pompe aussi près de la source de liquide que possible (au-dessous du niveau du liquide pour qu'elle fonctionne automatiquement).
- 2.2. Protéger l'appareil contre les inondations et le gel.
- 2.3. Prévoir assez d'espace autour de la pompe pour l'entretien et l'aération.
- 2.4. La tuyauterie doit posséder ses propres supports et « être alignée » sans contraintes sur la pompe.



LA TUYAUTERIE DOIT ÊTRE POSÉE DE FAÇON À NE JAMAIS APPLIQUER DE CONTRAINTES SUR LES RACCORDS D'ASPIRATION ET DE REFOULEMENT DE LA POMPE.

- 2.5. Ne poser aucun accessoire ni raccord de tuyauterie superflus. Choisir le calibre approprié pour réduire les pertes de charge au minimum.
- 2.6. Les pompes peuvent être installées à l'horizontale, à la verticale ou sur une surface inclinée.

ATTENTION NE PAS PLACER LE MOTEUR PLUS BAS QUE LA POMPE AFIN DE LE PROTÉGER CONTRE LES FUITES ET L'EAU DE CONDENSATION.

- 2.7. On doit fixer l'appareil à une dalle plane et solide pour empêcher que le serrage des boulons ne cause de contraintes. Monter l'appareil sur caoutchouc pour réduire le bruit et les vibrations au minimum.
- 2.8. Serrer les boulons de fixation du moteur avant de raccorder la tuyauterie à la pompe.

3. TUYAUTERIE D'ASPIRATION

- 3.1. Une hauteur géométrique d'aspiration réduite et une tuyauterie directe et courte sont souhaitables. Consulter la courbe de performances de la pompe pour obtenir la hauteur nette d'aspiration requise (NPSHR).
- 3.2. Le calibre du tuyau d'aspiration doit être au moins égal à celui du raccord d'aspiration de la pompe pour éviter les pertes de performances.
- 3.3. S'il faut un tuyau plus gros, on doit installer un raccord réducteur excentré (le côté non oblique en haut) à la pompe.
- 3.4. Pompe placée plus bas que la source de liquide :
 - 3.4.1. Poser un robinet d'isolement à passage intégral sur le tuyau d'aspiration pour l'inspection et l'entretien.

ATTENTION NE PAS EMPLOYER LE ROBINET D'ISOLEMENT POUR RÉDUIRE LA SECTION DE PASSAGE VERS LA POMPE.

- 3.5. Pompe placée plus haut que la source de liquide :
 - 3.5.1. Afin de prévenir les poches d'air, aucun élément de la tuyauterie d'aspiration ne devrait être plus haut que le raccord d'aspiration de la pompe. Donner à la tuyauterie une inclinaison vers le haut à partir de la source de liquide.
 - 3.5.2. Chaque joint doit être étanche.
 - 3.5.3. On n'emploiera un clapet de pied que s'il est requis pour amorcer la pompe ou la maintenir amorcée pendant les arrêts.

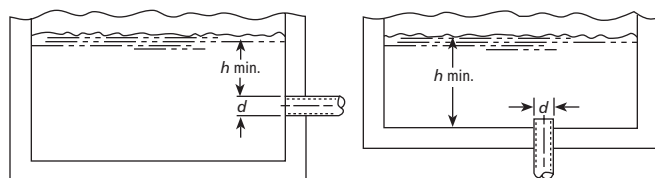


Figure 1

Figure 2

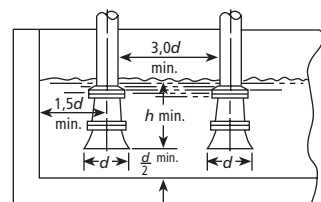


Figure 3

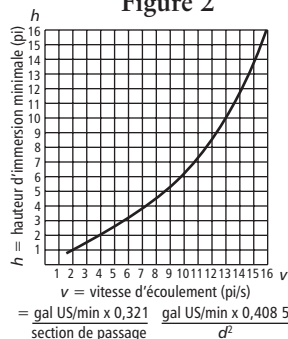


Figure 4

3.5.4. La section de passage de la crépine du tuyau d'aspiration doit être au moins le triple de celle du tuyau.

- 3.6. Le diamètre (d) et la hauteur d'immersion minimale (h min.) de l'entrée du tuyau d'aspiration doivent être suffisants pour empêcher l'aspiration d'air par vortex (v. fig. 1 à 4).
- 3.7. Enrouler les raccords filetés de 3 ou 4 couches de ruban de téflon pour les étancher.

4. TUYAUTERIE DE REFOULEMENT

- 4.1. Prévoir assez d'espace près du corps de pompe pour pouvoir déconnecter le tuyau de refoulement et démonter la pompe.
- 4.2. L'installation doit comporter un robinet-vanne, ainsi qu'un clapet de non-retour placé entre le robinet-vanne et la pompe. Le robinet-vanne sert au réglage du débit et à l'inspection de la pompe et du clapet de non-retour.
- 4.3. Si un raccord agrandisseur est nécessaire, le poser entre le clapet de non-retour et la pompe.
- 4.4. Enrouler les raccords filetés de 3 ou 4 couches de ruban de téflon pour les étancher.

5. SENS DE ROTATION

- 5.1. La rotation appropriée est en sens horaire (vers la droite, vue de l'extrémité du moteur). Démarrer et arrêter la pompe immédiatement tout en observant le sens de rotation de l'arbre. Changer le sens de rotation comme suit.
 - 5.1.1. Moteur monophasé : irréversible.
 - 5.1.2. Moteur triphasé : intervertir deux conducteurs d'alimentation du moteur.

6. UTILISATION

- 6.1. Avant de mettre la pompe en service, on doit l'amorcer (pour en chasser l'air), remplir de liquide le tuyau d'aspiration et entrouvrir le robinet de refoulement.
- 6.2. Faire fonctionner l'appareil dans des conditions normales jusqu'à ce que sa température se stabilise, puis vérifier tout le système. Vérifier également la dilatation de la tuyauterie.

7. ENTRETIEN

- 7.1. Les roulements sont situés à l'intérieur du moteur et sont lubrifiés à vie. Aucun graissage n'est requis.

ATTENTION LES LIQUIDES POMPÉS SERVENT DE LUBRIFIANT. SI LA POMPE TOURNAIT À SEC, LES PIÈCES MOBILES GRIPPERAIENT, ET LA GARNITURE MÉCANIQUE S'ENDOMMAGERAIT. IL NE FAUT DONC PAS FAIRE MARCHER LA POMPE LORSQUE SON DÉBIT EST NUL OU PRESQUE, CAR LE PEU DE LIQUIDE S'Y TROUVANT ABSORBERAIT LA CHALEUR PRODUITE PAR FROTTEMENT ET POURRAIT SE CHANGER RAPIDEMENT EN VAPEUR. LES PIÈCES MOBILES DOIVENT ÊTRE LUBRIFIÉES PAR LE LIQUIDE POUR NE PAS S'ABÎMER NI GRIPPER.

8. DÉMONTAGE

8.1. Le démontage complet de la pompe est décrit ci-dessous. Ne démonter que ce qui permet de faire l'entretien requis.

8.1.1. Couper le courant.

8.1.2. Vidanger le système. Le rincer au besoin.

8.1.3. Séparer le tuyau de refoulement d'avec la pompe.

8.1.4. Enlever les boulons de fixation du moteur.

8.2. Tête de pompage

8.2.1. Enlever les vis et les écrous assujettissant les demi-corps de pompe.

8.2.2. Écarter l'ensemble d'entraînement de la roue d'avec le demi-corps de pompe, côté aspiration.

8.2.3. Enlever le couvercle du diffuseur du premier étage et le joint torique des demi-corps de pompe.

8.2.4. Ôter le couvercle de ventilateur du moteur pour accéder aux méplats ou à la fente de blocage de l'arbre, à l'extrémité de celui-ci.

8.2.5. Bloquer l'arbre, puis enlever l'écrou de blocage des roues et la rondelle-frein.

ATTENTION NE PAS INSÉRER DE TOURNEVIS ENTRE LES PALES DU VENTILATEUR POUR EMPÊCHER L'ARBRE DE TOURNER.

NOTA : Remarquer la position des pattes et des crans antirotation des articles 10 à 13, car il faut les aligner et les insérer correctement pour les remonter.

8.2.6. Enlever la roue du premier étage, son entretoise, son diffuseur et le couvercle du diffuseur du second étage.

8.2.7. Déposer la roue du second étage et son diffuseur.

NOTA : Un démontage plus poussé nécessitera la dépose de la garniture mécanique, qu'il est recommandé de remplacer alors par une neuve.

8.2.8. Lubrifier l'arbre avec une solution contenant moitié glycérine et moitié eau, puis ôter l'élément mobile de la garniture mécanique.

8.2.9. Déposer l'ensemble adaptateur de moteur et demi-corps de pompe, côté refoulement.

8.2.10. Extraire du demi-corps de pompe l'élément fixe de la garniture mécanique.

8.2.11. Séparer l'adaptateur de moteur d'avec le demi-corps de pompe.

8.2.12. Pour enlever l'arbre de pompe, on doit le chauffer dans sa partie la plus épaisse afin d'éliminer l'adhérence du Loctite n° 271, puis le dévisser de l'arbre de moteur.

9. REMONTAGE

9.1. Chaque pièce devrait être nettoyée avant le remontage.

9.2. Voir la liste de pièces pour déterminer les pièces de rechange requises. Préciser le numéro de pièce ou de catalogue de la pompe lorsque l'on commande des pièces.

9.3. Le remontage se fait dans l'ordre inverse du démontage.

Suivre les directives ci-dessous en remontant la pompe :

9.4. Vérifier si l'arbre comporte un faux-rond : le maximum admissible est de 0,010 po au bout de l'arbre.

9.5. Enduire le bout de l'arbre de moteur d'apprêt Loctite « Primer N », puis de Loctite n° 271, visser l'arbre de pompe à l'arbre de moteur et le serrer à 30 lbf·pi.

9.6. Avant de poser la garniture mécanique, lubrifier l'arbre de pompe et le logement de garniture, au centre du demi-corps de pompe, avec une solution contenant moitié glycérine et moitié eau.

9.7. Inspecter le joint torique des demi-corps de pompe et les joints toriques des roues. Les remplacer s'ils sont endommagés ou usés.

9.8. On peut enduire les joints toriques de pétrolatum (*vaseline*) ou d'une solution de glycérine et d'eau pour en faciliter la pose.

9.9. Poser et serrer les vis des demi-corps de pompe à 10 lbf·pi, en croix, pour éviter toute déformation excessive du joint torique.

10. DIAGNOSTIC DES ANOMALIES

NON-FONCTIONNEMENT DU MOTEUR

(V. causes probables 1 à 6)

DÉBIT DE LIQUIDE FAIBLE OU NUL

(V. causes probables 7 à 17)

CONSOMMATION D'ÉNERGIE EXCESSIVE

(V. causes probables 4, 17, 18, 19 et 22)

VIBRATION ET BRUIT EXCESSIFS

(V. causes probables 4, 6, 9, 13, 15, 16, 18, 20, 21 et 22)

CAUSE PROBABLE

1. Protecteur thermique déclenché
2. Disjoncteur ouvert
3. Fusible sauté
4. Pièces mobiles grippées
5. Moteur mal connecté
6. Moteur défectueux
7. Pompe non amorcée
8. Tuyau de refoulement obstrué ou robinet fermé
9. Mauvais sens de rotation
10. Clapet de pied trop petit, entrée de tuyau d'aspiration non immergée, crépine obstruée
11. Basse tension électrique
12. Perte de phase (moteurs triphasés seulement)
13. Présence d'air ou de gaz dans le liquide
14. Hauteur de charge du système trop élevée
15. Hauteur nette d'aspiration disponible (NPSHA) trop faible : hauteur ou perte d'aspiration excessives – à vérifier avec un vacuomètre
16. Roue(s) usée(s) ou engorgée(s)
17. Diamètre de roue inapproprié
18. Hauteur de charge trop faible : débit excessif
19. Viscosité ou densité trop élevées
20. Roulement(s) usé(s)
21. Pompe ou tuyauterie mal assujetties
22. Pompe et moteur désalignés

LISTE DE PIÈCES

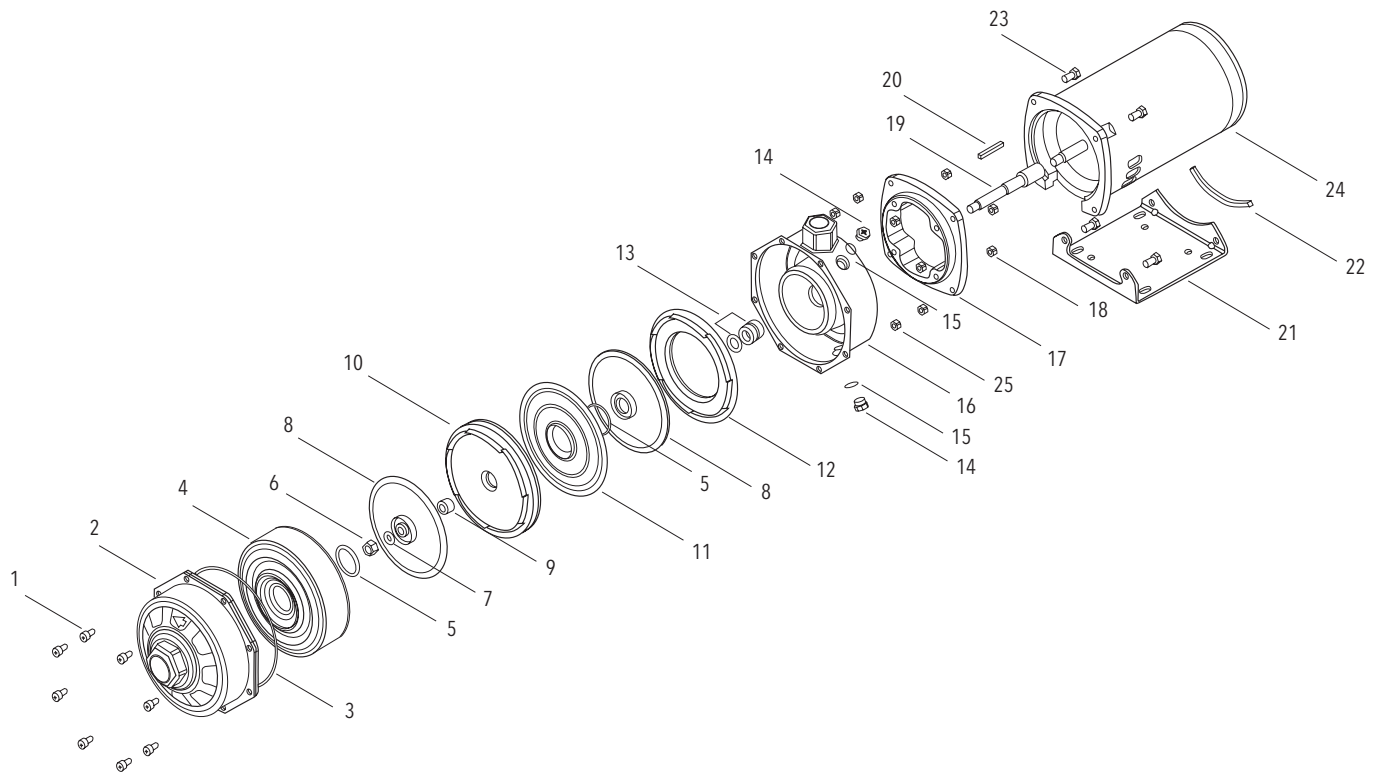
| N° d'art. | Description | Matériau |
|-----------|--|---|
| 1 | Vis (demi-corps de pompe) | Inox 304 |
| 2 | Demi-corps de pompe, côté aspiration | Inox 304 |
| 3 | Joint torique (demi-corps de pompe) | Viton Éthyl.-propyl. (option) Buna (option) |
| 4 | Couvercle du diffuseur (1 ^{er} étage) | Inox 304 |
| 5 | Joints toriques (roues) | Viton Éthyl.-propyl. (option) Buna (option) |
| 6 | Écrou de blocage (roues) | Inox 304 |
| 7 | Rondelle-frein (roues) | Inox 400 |
| 8 | Roues | Inox 304 |
| 9 | Entretoise (roues) | Inox 304 |
| 10 | Diffuseur (1 ^{er} étage) | Inox 304 |
| 11 | Couvercle du diffuseur (2 ^e étage) | Inox 304 |
| 12 | Diffuseur (2 ^e étage) | Inox 304 |

| N° d'art. | Description | Matériau |
|-----------|---|---------------|
| 13 | Garniture mécanique | Voir Table... |
| 14 | Bouchons (remplissage et vidange) | Inox 304 |
| 15 | Joints toriques (bouchons) | Viton |
| 16 | Demi-corps de pompe, côté refoulement | Inox 304 |
| 17 | Adaptateur de moteur | Fonte |
| 18 | Écrou autofreiné de blocage (pompe-adaptateur de moteur) | Acier |
| 19 | Arbre de pompe | Inox 304 |
| 20 | Clavette (roues) | Inox 304 |
| 21 | Plaque-support (moteur) | Acier |
| 22 | Entretoise | Caoutchouc |
| 23 | Vis (moteur-adaptateur de moteur) | Acier |
| 24 | Moteur, 3 PH, abrité ^① Moteur, 1 PH, abrité Moteur, 3 PH, fermé autoventilé Moteur, 1 PH, fermé autoventilé | Inox 303 |
| 25 | Écrous (demi-corps de pompe) | Inox 304 |

TABLE DES GARNITURES MÉCANIQUES

| Élément mobile | Élément fixe | Élastomère | Métal | N° de pièce |
|---------------------|---------------------|-------------------|-------|-------------|
| Carbone | Céramique | Viton Inox 316 | 10K88 | 10K92 |
| | Carbure de silicium | | | 10K87 |
| Carbure de silicium | | | | |
| Carbone | Carbure de silicium | Éthyl.-propyl. | | |

^① abrité = à ouvertures de ventilation protégées



Declaration of Conformity

We at,
Goulds Water Technology/Xylem Inc.
1 Goulds Drive
Auburn, NY 13021

Declare that the following products: NPE, MCS, MCC, 3656, 3656 SP, GB, e-SV, SVI, NPO, Prime Line SP, HB, HMS, LC, NPV, LB, LBS comply with Machine Directive 06/42/EC. This equipment is intended to be incorporated with machinery covered by this directive, but must not be put into service until the machinery into which it is to be incorporated has been declared in conformity with the actual provisions of the directive.

Declaración de Conformidad

Nosotros en
Goulds Water Technology/Xylem Inc.
1 Goulds Drive
Auburn, NY 13021

Declaramos que los siguientes productos: NPE, MCS, MCC, 3656, 3656 SP, GB, e-SV, SVI, NPO, Prime Line SP, HB, HMS, LC, NPV, LB, LBS cumplen con las Directivas para Maquinarias 06/42/EC. Este equipo ha sido diseñado para ser incorporado a la maquinaria cubierta por esta directiva pero no debe ponerse en funcionamiento hasta que se declare que la maquinaria en la que será incorporado cumple con las disposiciones reales de la directiva.

Déclaration de Conformité

Nous, à
Goulds Water Technology/Xylem Inc.
1 Goulds Drive
Auburn, NY, U.S.A. 13021,

déclarons que les produits NPE, MCS, MCC, 3656, 3656 SP, GB, e-SV, SVI, NPO, Prime Line SP, HB, HMS, LC, NPV, LB et LBS sont conformes à la directive 06/42/EC (législation relative aux machines). Ils sont destinés à être intégrés dans la machinerie faisant l'objet de ladite directive, mais ne doivent pas être mis en service tant que la machinerie en question ne sera pas déclarée conforme aux stipulations de la directive.

GARANTIE LIMITÉE DE GOULDS WATER TECHNOLOGY

La présente garantie s'applique à chaque pompe de système d'alimentation en eau fabriquée par Goulds Water Technology.

Toute pièce se révélant défectueuse durant la période de garantie sera remplacée sans frais pour le détaillant durant ladite période, qui dure douze (12) mois à compter de la date d'installation ou dix-huit (18) mois à partir de la date de fabrication, soit la période qui expirera la première.

Le détaillant qui, aux termes de cette garantie, désire effectuer une demande de règlement doit s'adresser au distributeur Goulds Water Technology agréé chez lequel la pompe a été achetée et fournir tous les détails à l'appui de sa demande. Le distributeur est autorisé à régler toute demande par le biais du service à la clientèle de Goulds Water Technology.

La garantie ne couvre pas :

- a) les frais de main-d'oeuvre ou de transport ni les frais connexes encourus par le détaillant ;
- b) les frais de réinstallation de l'équipement réparé ;
- c) les frais de réinstallation de l'équipement de remplacement ;
- d) les dommages indirects de quelque nature que ce soit ;
- e) ni les pertes découlant de la panne.

Aux fins de la présente garantie, les termes ci-dessous sont définis comme suit :

- 1) "Distributeur" signifie une personne, une société de personnes, une société de capitaux, une association ou autre entité juridique servant d'intermédiaire entre Goulds Water Technology et le détaillant pour les achats, les consignations ou les contrats de vente des pompes en question.
- 2) "Détaillant" veut dire une personne, une société de personnes, une société de capitaux, une association ou autre entité juridique dont les activités commerciales sont la vente ou la location de pompes à des clients.
- 3) "Client" signifie une entité qui achète ou loue les pompes en question chez un détaillant. Un "client" peut être une personne, une société de personnes, une société de capitaux, une société à responsabilité limitée, une association ou autre entité juridique se livrant à quelque activité que ce soit.

CETTE GARANTIE SE RAPPORTE AU DÉTAILLANT SEULEMENT.



Xylem, Inc.
2881 East Bayard Street Ext., Suite A
Seneca Falls, NY 13148
Téléphone: (800) 453-6777
Télécopie: (888) 322-5877
www.xylem.com/brands/gouldswatertechnology

Goulds est une marque déposée de Goulds Pumps, Inc. et est utilisé sous le permis.
© 2012, Xylem Inc. IM024 Révision numéro 6 Juillet 2012