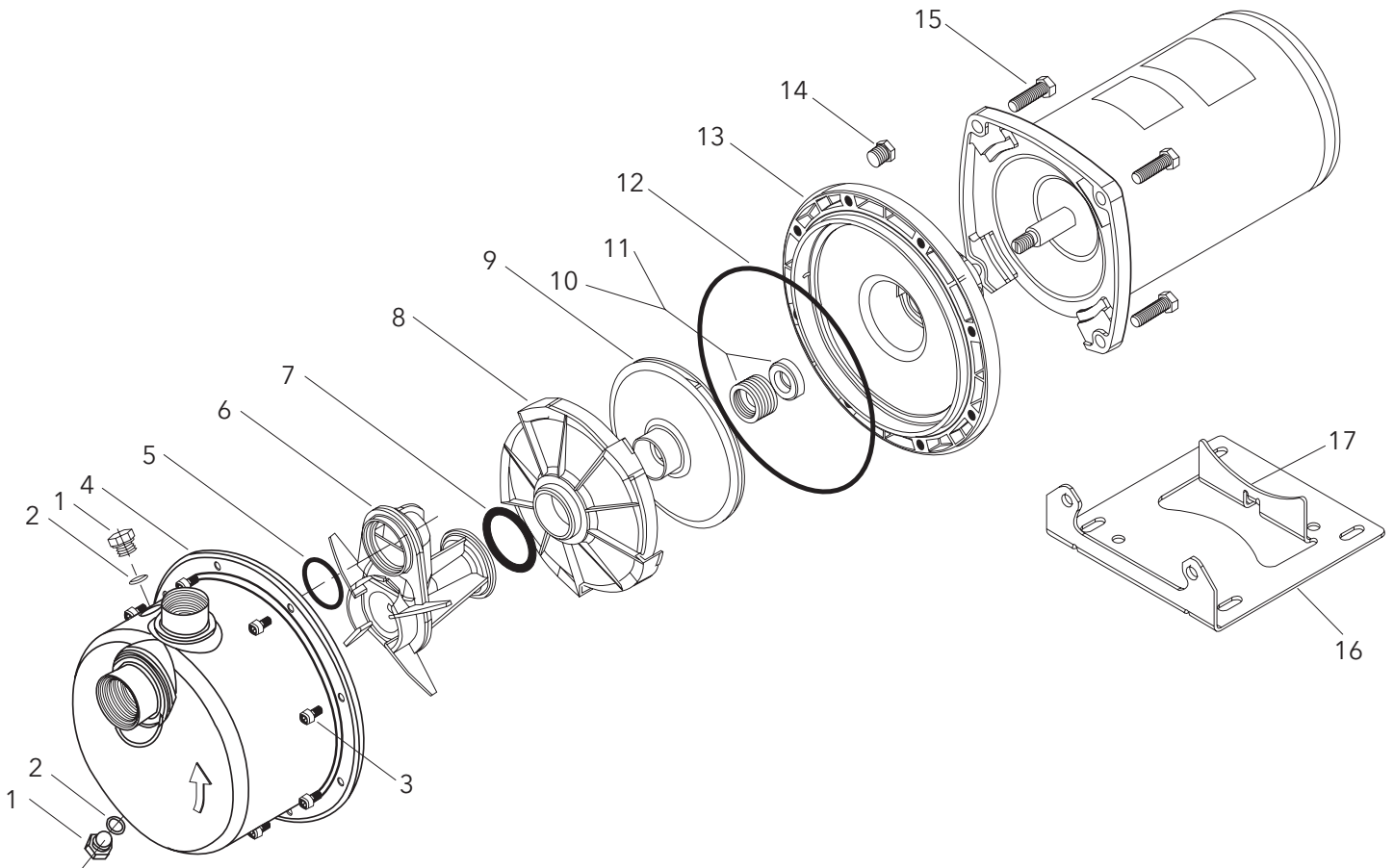


# Series LB REPAIR PARTS

Part No.	Part Description		Material	Repair Part No.			
				LB05	LB07	LB10	
1	Plug with o-ring		304 SS	6L3			
2	O-ring - plug		EPR	5L80			
3	Socket head screw		304 SS	13L65			
4	Casing with plug		304 SS	1L78			
5	O-ring - suction		EPR	5K300			
6	Nozzle/venturi assembly		Lexan® 500	3L20			
7	O-ring guide vane		EPR	5K322			
8	Guide vane		Lexan® 10% G.F.	3K65			
9	Impeller	LB05	4.50" Dia.	Noryl® GFN2	2K331		
		LB07	5.00" Dia.			2K829	
		LB10	5.25" Dia.				2K828
10	Mechanical seal - rotary		Carbon	10K18			
11	Mechanical seal - stationary		Sil-Carbide				
12	O-ring casing		EPR	5K193			
13	Motor adapter with inserts		Amodel® 45% G.F.	1K344			
14	Pipe plug		SAE 1018	6K2			
15	Hex cap screw		Steel (zinc plated)	13K194			
16	Base		Steel	4K450			
17	Rubber channel	48 Frame	BUNA	9K286			
		56 Frame		9K188			

HP	Motor Codes			
	1Ø - ODP	3Ø - ODP	1Ø - TEFC	3Ø - TEFC
½	SFJ04860R	SFE04873S	SFE04821S	SFE04876S
¾	SFJ05860R	SFE05873S	SFE05821S	SFE05876S
1	SFJ06860R	SFE06873S	SFE06821S	SFE06876S



**Xylem Inc.**

2881 East Bayard Street Ext., Suite A, Seneca Falls, NY 13148

Phone: (800) 453-6777 Fax: (888) 322-5877

[www.xylem.com/brands/gouldswatertechnology](http://www.xylem.com/brands/gouldswatertechnology)



Goulds is a registered trademark of Goulds Pumps, Inc. and is used under license.  
Noryl and Lexan are trademarks of GE Plastic. Amodel is a trademark of Solvay.

© 2012 Xylem Inc. RLB February 2010