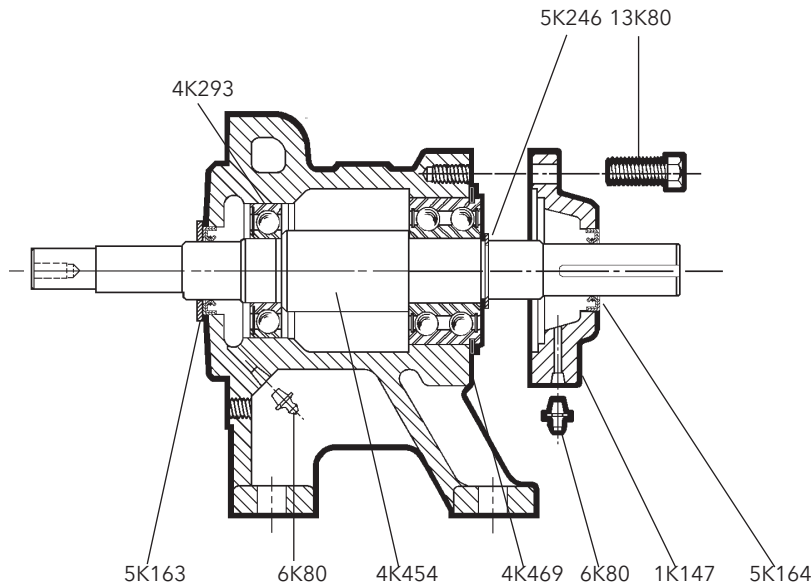


L-Group Power Frame

REPAIR PARTS



L-Group power frame for models 3756 mechanical seal and packed box pumps

Note: Bearings are installed with shield facing towards the grease cavity.

PART NO.	DESCRIPTION	MATERIAL	PATTERN NO.
15K7	Power Frame Complete (Mechanical Seal or Packed Box)		
1K147	Bearing cover	Cast iron	59056
4K454	Shaft	Steel	
4K292	Shaft key - motor end (not shown)	Steel	
4K293	Ball bearing - inboard	Steel	
4K469	Ball bearing - outboard	Steel	
5K163	Deflector	BUNA-N	
5K164	Lip seal - outboard	BUNA/Steel	
5K280	Lip seal - inboard	BUNA/Steel	
5K246	Retaining ring	Steel	
6K80	Grease fitting - frame and bearing cover	Zinc-Plated Steel	
13K80	Hex head cap screw - bearing cover	Zinc-Plated Steel	

For parts pricing and package stock quantities refer to published parts price list using "K" part no. listed above.

Xylem |'zīləm|

- 1) The tissue in plants that brings water upward from the roots;
- 2) a leading global water technology company.

We're 12,500 people unified in a common purpose: creating innovative solutions to meet our world's water needs. Developing new technologies that will improve the way water is used, conserved, and re-used in the future is central to our work. We move, treat, analyze, and return water to the environment, and we help people use water efficiently, in their homes, buildings, factories and farms. In more than 150 countries, we have strong, long-standing relationships with customers who know us for our powerful combination of leading product brands and applications expertise, backed by a legacy of innovation.

For more information on how Xylem can help you, go to www.xylem.com

Xylem Inc.

2881 East Bayard Street Ext., Suite A, Seneca Falls, NY 13148

Phone: (800) 453-6777 Fax: (888) 322-5877

www.xylem.com/brands/gouldswatertechnology

