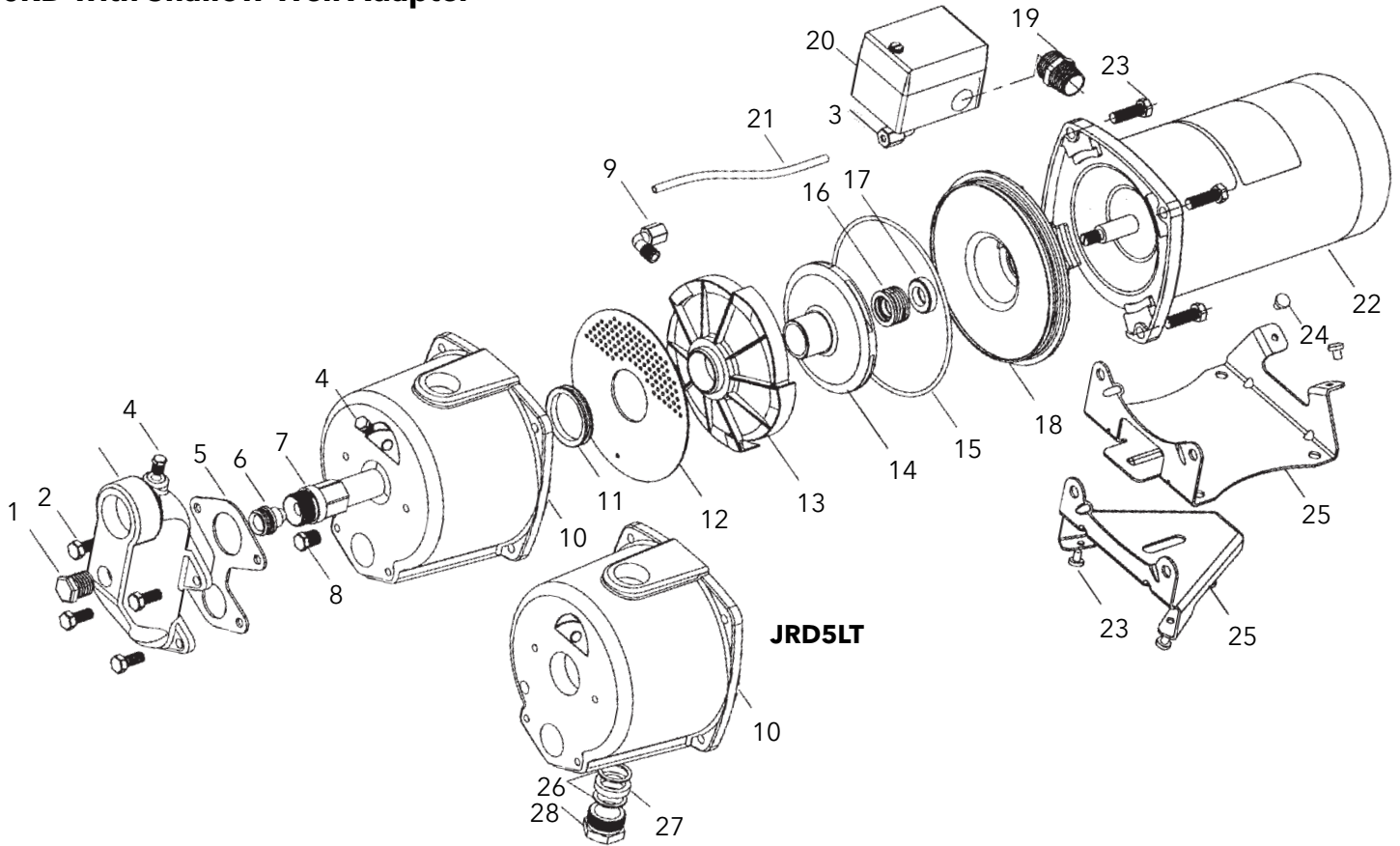


JRD REPAIR PARTS

Item No.	Part Description	Material	Repair Part No.			
			JRD5	JRD5LT	JRD7	JRD10
1	Pipe plug ½" NPT	Steel	6K68			
2	Hex cap screw	Steel	13K1			
3	Shallow well adapter	Cast iron	4K62			
4	Pipe plug ⅜" NPT	Steel	6K1			
5	Gasket	BUNA - FDA/NSF	5K108			
6	Nozzle	Delrin®	AN018			
7	Venturi tube	Lexan®	AD3731		AD3536	AD3538
8	Drain plug ¼" NPT	Steel	6K2			
9	Elbow connector - tubing	Polypropylene	6K94			
10	Casing	Cast iron	1K416	1K417	1K416	
11	Separator plate seal ring	BUNA	5K323			
12	Separator plate	Polypropylene	5K253			
13	Diffuser (guide vane)	Lexan®	3K64		3K65	
14	Impeller	Noryl®	2K900		2K901	2K902
15	O-ring	BUNA	5K230			
16	Mechanical seal - rotary	Teeplelite	10K10			
17	Mechanical seal - stationary	Ceramic				
18	Seal housing	Amodel®	1K366			
19	Connector w/locknut	Steel	6K24			
20	Pressure switch	NA	AS4			
21	Tubing - pressure switch	Polypropylene	6K92		6K101	6K108
22	Motor	Stainless steel shaft	SFJ04860		SFJ05860	SFJ06860
23	Hex cap screw	Steel	13K80			
24	Grommet - base	BUNA	4K405			
25	Base - JRD5, JRD7, JRD10 (off tank)	Steel	4K399	4K449	4K399	
	Tank base - JRD5LT (on tank)					
26	Discharge gland washers (pkg 2)	N-8090	-	5K10	-	
27	Discharge gland packing	BUNA	-	5K8	-	
28	Dis. gland nut assembly (includes 26 & 27)	Brass	-	4K12	-	

JRD with Shallow Well Adapter



Xylem Inc.

2881 East Bayard Street Ext., Suite A, Seneca Falls, NY 13148

Phone: (866) 325-4210 Fax: (888) 322-5877

www.xylem.com/brands/gouldswatertechnology

