



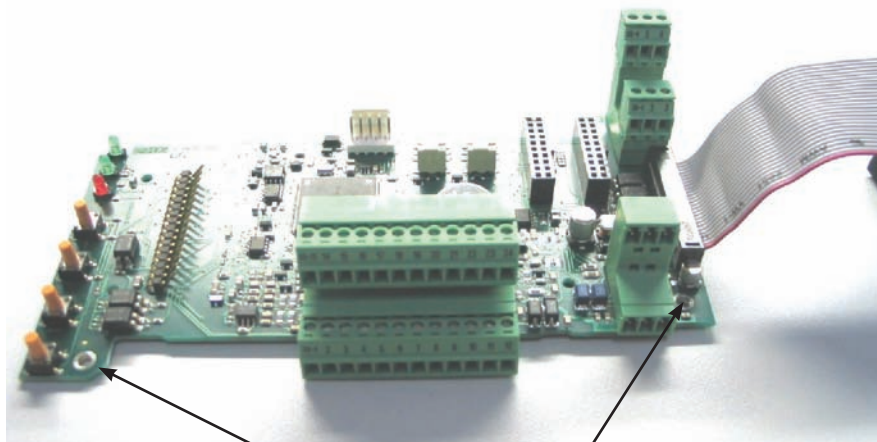
# Hydrovar<sup>®</sup>

## Variable Speed Control HV, 2 HP - 15 HP VERSION 0307

**SERVICE MANUAL**

### Section A

#### Troubleshooting the Control Card (using a Multimeter). Power Supply disconnected!!!



**GND Connection to Power Unit  
(attached via the screws)**

The following tests have to be made without connected cables.

#### 1) Internal Resistance - Digital Inputs:

##### Low Water

X3/1 (GND) - X3/11  
=> 90k Ω / 2.5M Ω

##### External ON/OFF (release)

X3/1 (GND) - X3/7 => 14k Ω

##### Configurable Digital Input (Digi 1):

X3/1 (GND) - X3/9 => 14k Ω

##### Digital Inputs (Dig 2 / Dig 3 / Dig 4):

X3/1 (GND) - X3/5 / 6 / 15  
=> 20k Ω

#### 2) Internal Resistance of the Analogue Current Inputs:

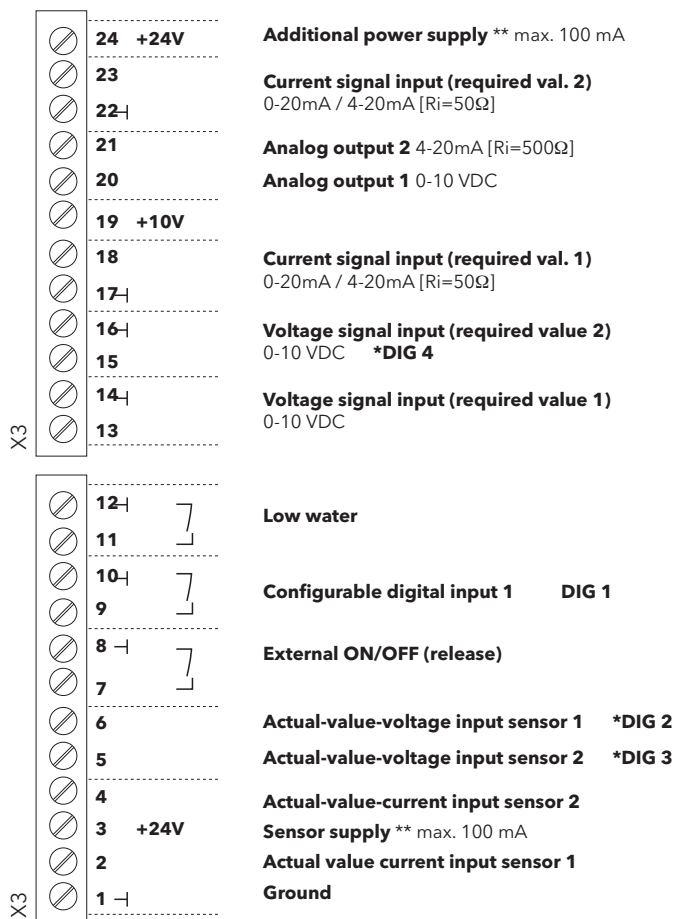
(Sensor 1/2 - Req. Val 1/2)

X3/1 (GND) - X3/2 / 4 / 18 / 23 => 50 Ω

#### 3) Capacity of Electronic Ground to Earth:

X3/1 (GND) - earth => 60nF

Important to bleed off Hf- Disturbances!



### Section A *(continued)*

**Troubleshooting the Control Card (using a Multimeter).**  
***Power Supply disconnected!!!***

#### Note



**When the HYDROVAR is connected to power supply, the components of the power unit as well as certain Components of the Control Card remain under voltage.**

**Touching these components seriously endangers life!**

**All work, carried out at opened HYDROVAR, must be performed by qualified and authorized technicians.**

The following tests have to be made without connected cables.

#### 1) **Sensor Power Supply:**

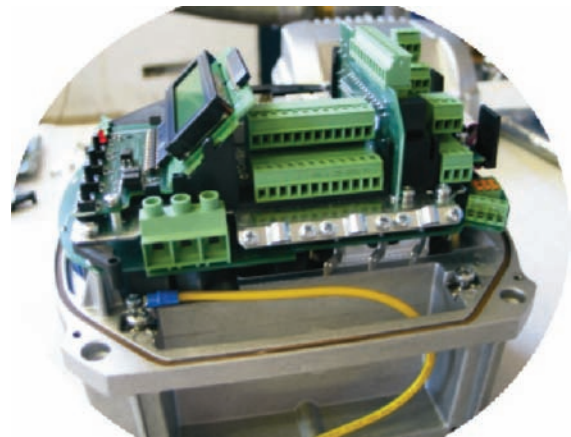
X3/1 (GND) - X3/3 => 24 VDC  
 X3/1 (GND) - X3/24 => 24 VDC

#### 2) **Internal Ref. for Analog Output:**

X3/1 (GND) - X3/19 => 10 VDC

#### 3) **Digital Inputs:**

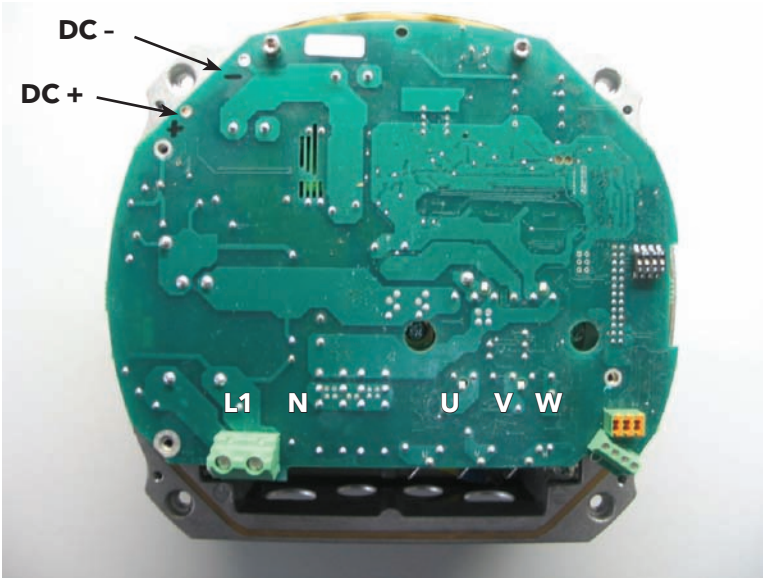
External On/Off	X3/ 7 - X3/8 (GND)	=> 5 VDC
Conf. Digital Input 1	X3/ 9 - X3/10 (GND)	=> 5 VDC
Low Water	X3/ 11 - X3/12 (GND)	=> 5 VDC



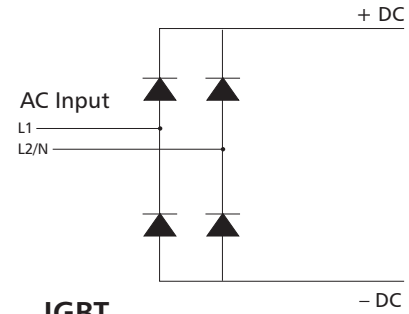
### Section B

**Troubleshooting the Rectifier and the IGBT Module (using a Multimeter).**  
**Power Supply disconnected!!!**

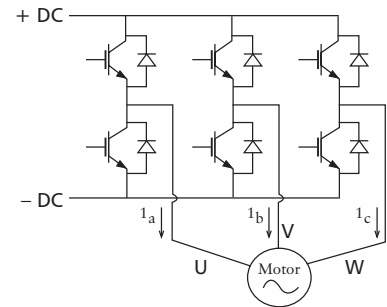
**Single Phase Unit HV 2, 3 HP**



**Rectifier**



**IGBT**



## Commercial Water

Check the following values:

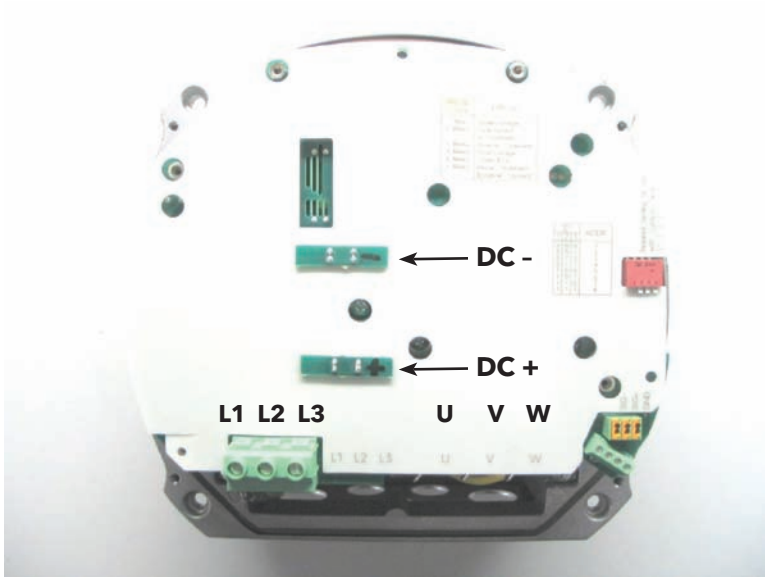
Black Wire (GND)	Red Wire of Multimeter	Result
<b>Rectifier Values</b>		
L1 N	DC+	OL (Overload)
L1 N	DC-	0.54 V
DC+	L1 N	0.57 V
DC-	L1 N	OL (Overload)
<b>IGBT Values</b>		
DC+	U V W	0.48 V
DC-	U V W	OL (Overload)
U V W	DC+	OL (Overload)
U V W	DC-	0.45 V

**NOTE:** Put multimeter on diode check ()

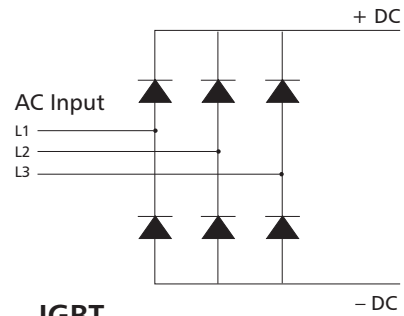
### **Result:**

- If the above mentioned values between power supply and DC part are significantly different  
=> **Rectifier** may be damaged.
- If values between motor connection and DC part are significantly different  
=> **IGBT** module may have a failure.

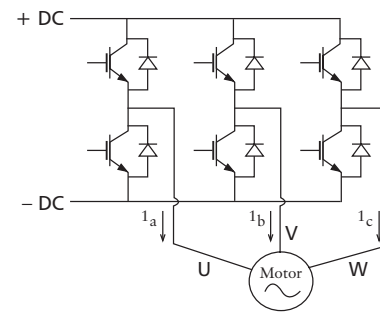
### Three Phase Unit HV 3, 5 HP



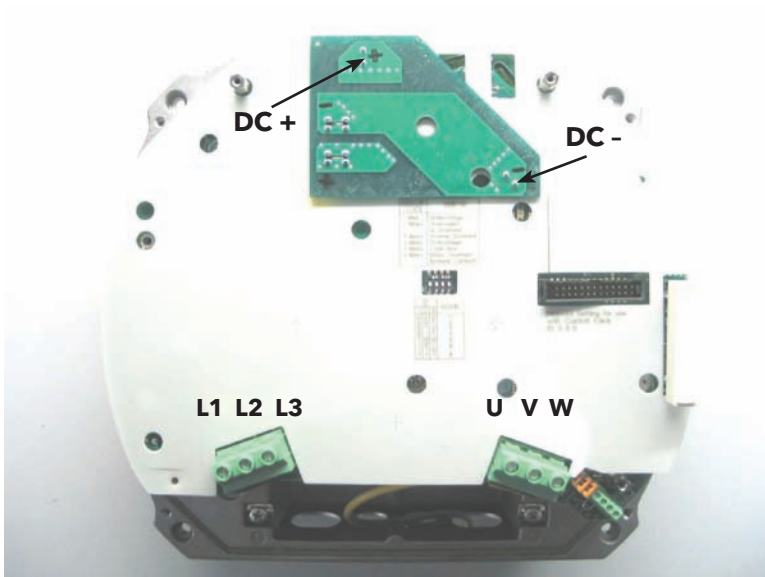
#### Rectifier



#### IGBT




### Three Phase Unit HV 7.5, 15 HP



## Commercial Water

Check the following values:

Black Wire (GND)	Red Wire of Multimeter	Result
<b>Rectifier Values</b>		
L1 L2 L3	DC+	OL (Overload)
L1 L2 L3	DC-	0.40 - 0.54 V
DC+	L1 L2 L3	0.40 - 0.54 V
DC-	L1 L2 L3	OL (Overload)
<b>IGBT Values</b>		
DC+	U V W	0.420 - 0.635 V
DC-	U V W	OL (Overload)
U V W	DC+	OL (Overload)
U V W	DC-	0.40 - 0.45 V

**NOTE:** Put multimeter on diode check ()

### **Result:**

- If the above mentioned values between power supply and DC part are significantly different  
=> **Rectifier** may be damaged.
- If values between motor connection and DC part are significantly different  
=> **IGBT** module may have a failure.

# Xylem |'zīləm|

- 1) The tissue in plants that brings water upward from the roots;
- 2) a leading global water technology company.

We're 12,500 people unified in a common purpose: creating innovative solutions to meet our world's water needs. Developing new technologies that will improve the way water is used, conserved, and re-used in the future is central to our work. We move, treat, analyze, and return water to the environment, and we help people use water efficiently, in their homes, buildings, factories and farms. In more than 150 countries, we have strong, long-standing relationships with customers who know us for our powerful combination of leading product brands and applications expertise, backed by a legacy of innovation.

**For more information on how Xylem can help you, go to [www.xyleminc.com](http://www.xyleminc.com)**



Xylem Inc.  
2881 East Bayard Street Ext.  
Seneca Falls, NY 13148  
Phone: (800) 453-6777  
Fax: (888) 322-5877  
[www.xyleminc.com/brands/gouldswatertechnology](http://www.xyleminc.com/brands/gouldswatertechnology)

Goulds is a registered trademark of Goulds Pumps, Inc. and is used under license.  
© 2012 Xylem Inc. IM224 Revision Number 2 July 2012