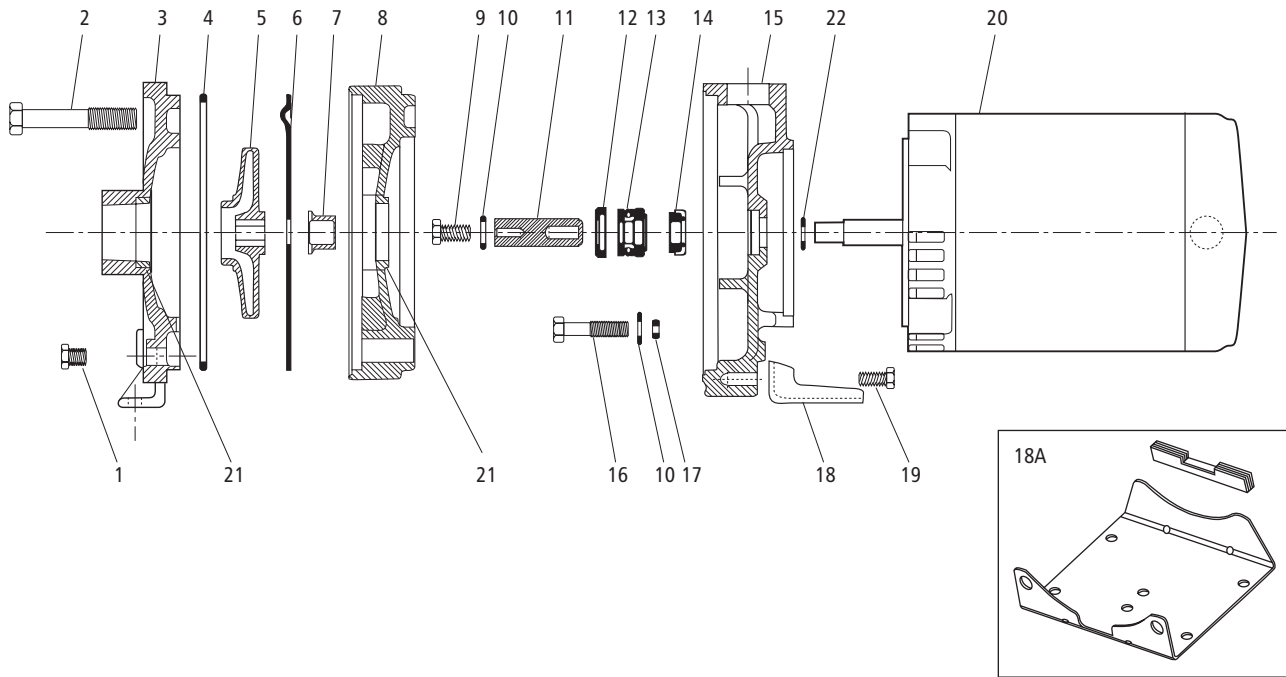


# HSC REPAIR PARTS



Item	Part No.	Part Name	Quantity	Pattern No.
3	①1K291	Casing	1	59039
8	1K204	Intermediate stage	(1 – 2 stage)	59157
15	1K206	Motor adapter	1	59156
5	2K322	Impeller – ¾ HP	2	
	2K289	Impeller – 1 HP	2	
	2K323	Impeller – 1½ HP	2	
	2K289	Impeller – 2 HP	3	
18	4K376	Foot (old style)	1	
18A	15K60	Base and rubber channel	1	
21	4K327	Wear ring	(1 per 1K291 and 1K204)	
7	4K328	Sleeve	(1 – 2 stage)	
6	4K396	Coverplate	(2 – 3 stage)	
			(1 per impeller)	
12	4K379	Seal retainer	1	
9, 10, 11, 12	②4K331	Shaft extension assembly – 2 stage, ¾, 1 and 1½ HP	1	
	②4K332	Shaft extension assembly – 3 stage, 2 HP	1	
22	5K7	Deflector	1	
17	5K147	O-ring – motor adapter bolts	4	
4	5K178	O-ring – casing and intermediate stage	1 per stage	
1	6K2	Pipe plug ¼" NPT	3	
13, 14	10K10	Shaft seal assembly – 1½ and 2 HP	1	
9	13K43	Impeller bolt	1	
19	13K71	Bolt – foot to adapter	1	
16	13K81	Bolt – adapter to motor	4	
10	13K212	Washer – impeller (1) and adapter (4)	5	
2	13K213	Bolt – casing to adapter, 2 stage	4	
2	13K214	Bolt – casing to adapter, 3 stage	4	

Motor Codes			
Item	HP	Model	Order No.
20	¾	HSC07	J05853L
	1	HSC10	J06853L
	1½	HSC15	J07858L
	2	HSC20	J08854L

**NOTES:**

- ① 1K291 casing replaced the 1K201 which was on both the HSJ and the original HSC.
- ② Shaft Extension Assemblies 4K331 and 4K332 include: shaft extension, 4K379 seal retainer, 13K43 impeller bolt and 13K212 washer.

**Xylem Inc.**

2881 East Bayard Street Ext., Suite A, Seneca Falls, NY 13148

Phone: (800) 453-6777 Fax: (888) 322-5877

[www.xylem.com/brands/gouldswatertechnology](http://www.xylem.com/brands/gouldswatertechnology)

