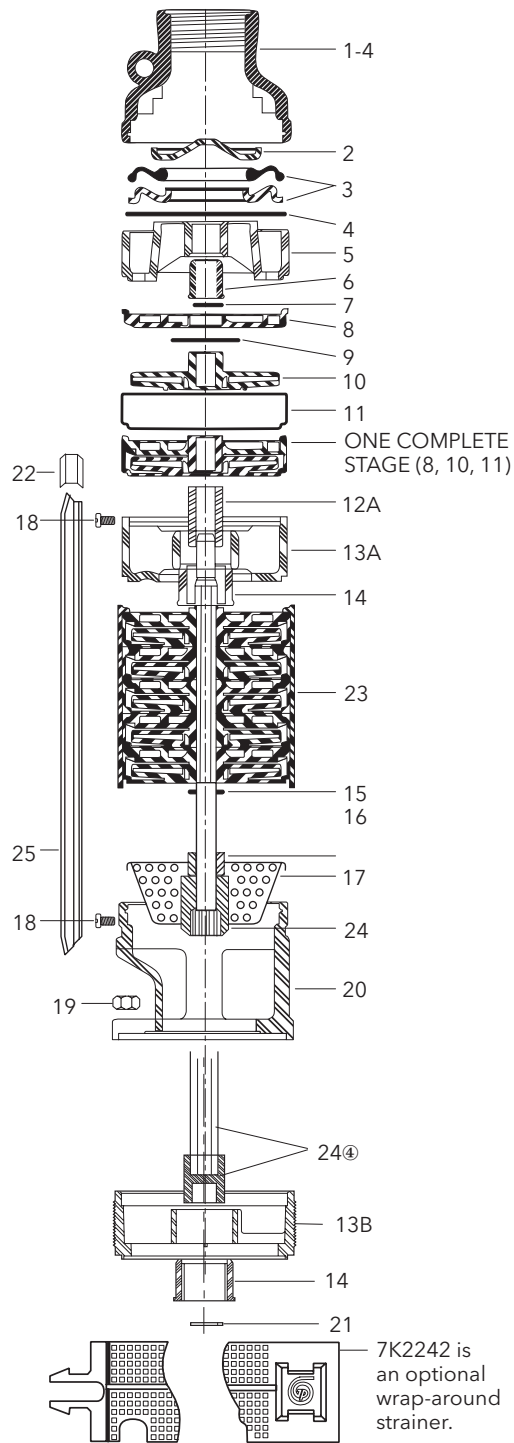


REPAIR PARTS

R5-25GS

GS REPAIR PARTS

PUMPS BUILT FROM JANUARY 2003 THRU JULY 2005



Residential Water Systems

Item No.	Description	Current Models								
		Models with 1 Safety Loop and 4 Cable Guard Screws								
		HP	5GS	7GS	10GS	13GS	18GS	25GS		
	NUMBER OF STAGES	½R	9	7	5	–	–	–		
		½	12	10	7	5	–	–		
		¾	15	13	10	7	6	–		
		1	20	17	12	10	8	7		
		1½	26 ①	22	17	12	11	9		
		2	33 ②	27 ①	20	17	14	11		
		3	–	34 ②	27 ②	21	19	15		
		5	–	–	42 ②	–	30 ②	26 ②		
1-4	Discharge head assembly		7K1326	7K1326	7K1326	7K1326	7K1326	7K1326		
2	Check valve poppet		7K1366	7K1366	7K1366	7K1366	7K1366	7K1366		
3	C.V. seal/seat assembly		7K2123	7K2123	7K2123	7K2123	7K2123	7K2123		
4	C. V. retaining ring		7K1364	7K1364	7K1364	7K1364	7K1364	7K1364		
5	Bearing spider - upper		7K1372	7K1372	7K1372	7K1372	7K1372	7K1372		
6	Bearing		7K2739	7K2739	7K2739	7K2739	7K2739	7K2739		
7	Shaft retaining ring - upper		7K817	7K817	7K817	7K817	7K817	7K817		
8	Diffuser		7K1750	7K995	7K17	7K17	7K20	7K20		
9	Upthrust washer		7K15	7K15	7K15	–	7K15	7K15		
10	Impeller - 7GS ½ HP - 1½ HP		7K1837	7K1343	7K35	7K16	7K1334	7K19		
	2 and 3 HP		–	7K994	–	–	–	–		
11	Bowl		7K1838	7K478	7K478	7K478	7K858	7K18		
12A ①	Intermediate shaft sleeve		7K209	–	7K209	–	7K209	7K209		
12B ②	Intermediate shaft sleeve		④	④	④	–	④	–		
13A ①	Intermediate bearing spider		7K1371	–	–	–	–	–		
13B ②	Intermediate bearing spider		7K1989	7K1989	7K1989	–	7K1989	7K1989		
14	Mid bearing for 13A & 13B		7K1369	7K1369	7K1369	–	7K1369	7K1369		
15	Shim		7K155	7K155	7K155	7K155	7K155	7K155		
16	Lower shaft sleeve ⑤		7K1336	7K1336	7K1336	7K1336	7K1336	7K1336		
17	Inlet strainer		7K1370	7K1370	7K1370	7K1370	7K1370	7K1370		
18	Screws - cable guard		13K91	13K91	13K91	13K91	13K91	13K91		
19	Hex nut		13K114	13K114	13K114	13K114	13K114	13K114		
20	Motor adapter		7K1363	7K1363	7K1363	7K1363	7K1363	7K1363		
21	Lower shaft retaining ring		–	7K1553	7K1553	–	7K1553	–		
22	Motor lead insulator		7K1023	7K1023	7K1023	7K1023	7K1023	7K1023		
23	Casings	½R	7K1968	7K1913	7K1902	–	–	–		
		½	7K1938	7K1936	7K1905	7K1902	–	–		
		¾	7K1941	7K1939	7K1935	7K1905	7K1964	–		
		1	7K1949	7K1973	7K1938	7K1935	7K1935	7K1914		
		Upper	1½	7K1954	7K1951	7K1944	7K1938	7K1939	7K1943	
				–	–	–	–	–	–	
		Upper	2	7K1453	7K1958	7K1949	7K1944	7K1945	7K1941	
				7K1452	–	–	–	–	–	
		Upper	3	–	7K1973	7K1946	7K1950	7K1952	7K1479	
				–	7K1453	7K1943	–	–	–	
		Upper	5	–	–	7K1971	–	7K1948	7K1947	
				–	–	7K1636	–	7K1738	7K1453	
		24	Shaft and coupling assemblies	½R	7K1033	7K1361	7K1358	–	–	–
				½	7K1377	7K1376	7K1360	7K1358	–	–
¾	7K1381			7K1380	7K1375	7K1360	7K1359	–		
1	7K1458			7K1384	7K1377	7K1375	7K1375	7K1374		
Upper	1½			7K1839	7K1389	7K1457	7K1377	7K1380	7K1378	
				–	–	–	–	–	–	
Upper	2			7K1877	7K1391	7K1458	7K1457	7K1382	7K1381	
				7K1879	–	–	–	–	–	
Upper	3			–	7K1462	7K1878	7K1386	7K1387	7K1385	
				–	7K1213	7K1880	–	–	–	
Upper	5			–	–	7K1393	–	7K1736	7K2212	
				–	–	7K1221	–	7K1737	7K2211	

Item No.	Description	Current Models						
		Models with 2 Safety Loops On Discharge Head						
		HP	5GS	7GS	10GS	13GS	18GS	25GS
25	Cable guards	½R	7K1885	7K1883	7K1881	–	–	–
		½	7K1888	7K1886	7K1883	7K1881	–	–
		¾	7K1890	7K1889	7K1886	7K1883	7K1883	–
		1	7K1917	7K1916	7K1888	7K1886	7K1886	7K1886
		1½	7K1922	7K1919	7K1916	7K1888	7K1889	7K1888
		2	7K1927	7K1924	7K1917	7K1916	7K1916	7K1890
		3	–	7K1929	7K1923	7K1918	7K1920	7K1917
		5	–	–	7K1931	–	7K1930	7K1929

- ① Model has one intermediate bearing spider, order bearing and spider separately.
- ② Model has one intermediate bearing spider, a split case design and upper and lower shaft assemblies.
- ④ Intermediate Shaft Sleeve 7K1490 is now a pressed on part of the upper shaft assembly on split case pumps.
- ⑤ Effective January, 2004 the sleeve is part of the shaft and coupling assembly.

Xylem |'zīləm|

- 1) The tissue in plants that brings water upward from the roots;
- 2) a leading global water technology company.

We're 12,500 people unified in a common purpose: creating innovative solutions to meet our world's water needs. Developing new technologies that will improve the way water is used, conserved, and re-used in the future is central to our work. We move, treat, analyze, and return water to the environment, and we help people use water efficiently, in their homes, buildings, factories and farms. In more than 150 countries, we have strong, long-standing relationships with customers who know us for our powerful combination of leading product brands and applications expertise, backed by a legacy of innovation.

For more information on how Xylem can help you, go to www.xylem.com



Xylem, Inc.
 2881 East Bayard Street Ext., Suite A
 Seneca Falls, NY 13148
 Phone: (866) 325-4210
 Fax: (888) 322-5877
www.xylem.com/brands/gouldswatertechnology
 Goulds is a registered trademark of Goulds Pumps, Inc. and is used under license.
 © 2012 Xylem Inc. R5-25GS February 2012