

**REPAIR PARTS**

R33-80GS

---

**33GS, 40GS, 55GS,  
60GS, 75GS, 80GS** REPAIR PARTS

60 HZ HIGH CAPACITY 4" SUBMERSIBLE PUMPS

---

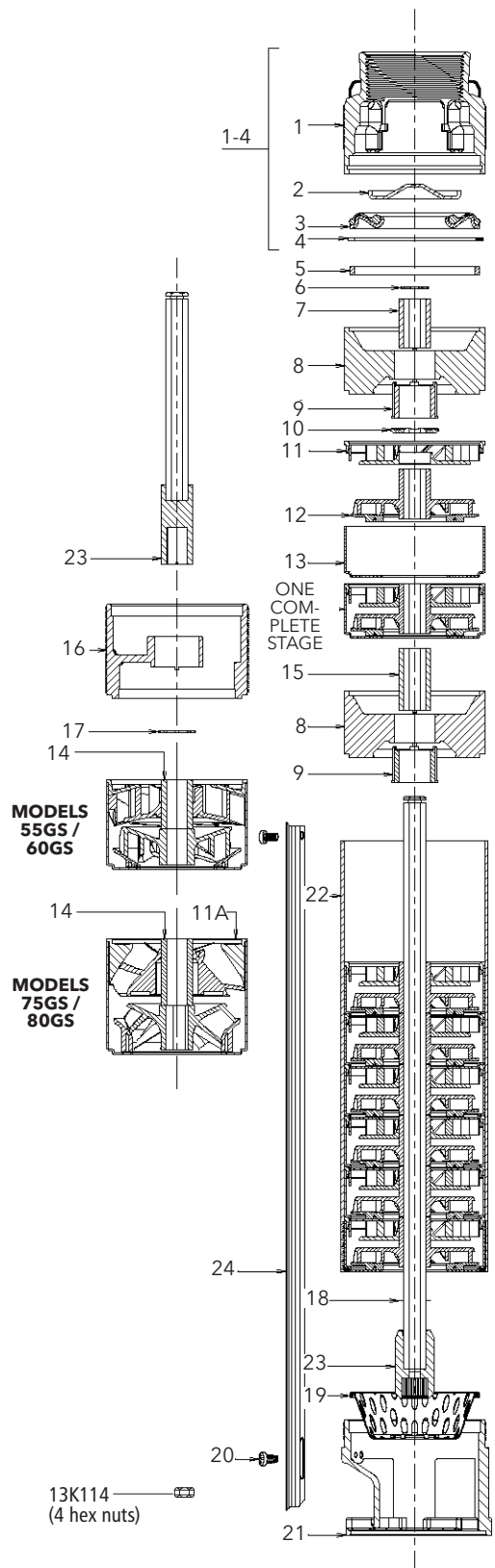
## Residential Water Systems

Item No.	Description	Current Models								
		HP	33GS	40GS	55GS	60GS	75GS	80GS		
	Number of stages	1	6	–	–	–	–	–		
		1½	8	5	5	4	–	–		
		2	10	6	7	5	–	–		
		3	14	8	9	7	7	5		
		5	22 ①	14	15 ①	11 ①	11	9		
		7½	34 ②	21 ①	22 ②	17 ①	16	14		
		10	44 ②	–	29 ②	–	21 ②	–		
1 - 4	Discharge head assembly		7K2841	7K2841	7K2841	7K2841	7K2841	7K2841		
2	Check valve poppet		7K1366	7K1366	7K1366	7K1366	7K1366	7K1366		
3	Check valve seal and seat assembly		7K2123	7K2123	7K2123	7K2123	7K2123	7K2123		
4	Check valve retaining ring		7K1364	7K1364	7K1364	7K1364	7K1364	7K1364		
5	Adapter ring		7K1597	7K1597	7K1597	7K1597	7K1597	7K1597		
6	Shaft retaining ring		7K817	7K817	7K817	7K817	7K817	7K817		
7	Upper Shaft sleeve		7K1571	7K1571	7K1571	7K1571	7K1571	7K1571		
8	Bearing spider (upper & some int.) ①		7K1593	7K1593	7K1593	7K1593	–	–		
9	Bearing ① ②		7K2756	7K2756	7K2756	7K2756	7K2756	7K2756		
10	Upthrust washer		7K1575	7K1575	7K1575	7K1575	7K1575	7K1575		
11	Diffuser		7K1590	7K1590	7K1591	7K1591	7K1592	7K1592		
11A	Diffuser/Bearing Assembly		–	–	–	–	7K2757	7K2757		
12	Impeller		7K1739	7K1587	7K1779	7K1588	7K1787	7K1589		
13	Bowl		7K1584	7K1584	7K1585	7K1585	7K1586	7K1586		
14	Diffuser shaft sleeve		–	–	7K1571	7K1571	7K1573	7K1573		
15	Intermediate shaft sleeve ①		7K1572	7K1572	7K1572	7K1572	–	–		
16	Intermediate bearing spider ②		7K2246	–	7K2246	–	7K2246	–		
17	Lower shaft retaining ring ②		7K1629	–	7K1629	–	7K1629	–		
18	Shim		7K1574	7K1574	7K1574	7K1574	7K1574	7K1574		
19	Stainless steel strainer		7K1370	7K1370	7K1370	7K1370	7K1370	7K1370		
20	Cable guard screws		13K91	13K91	13K91	13K91	13K91	13K91		
21	Motor adapter		7K1363	7K1363	7K1363	7K1363	7K1363	7K1363		
22	Casings		1	7K2082	–	–	–	–	–	
			1½	7K2912	7K2912	7K2923	7K2675	–	–	
			2	7K2888	7K2716	7K2721	7K2923	–	–	
			3	7K2022	7K2912	7K2327	7K2340	7K2733	7K1636	
			5	7K2913	7K2022	7K2924	7K2931	7K2936	7K2939	
			Upper	7½	7K2328	7K2916	7K2332	7K2932	7K2937	7K2940
			Lower	7½	7K2983		7K2335			
			Upper	10	7K2984	–	7K2331	–	7K2333	–
Lower	10	7K2011	7K2925	7K2938						
23	Shaft and coupling assemblies		1	7K1605	–	–	–	–	–	
			1½	7K1606	7K1610	7K1662	7K1661	–	–	
			2	7K1768	7K1605	7K1663	7K1662	–	–	
			3	7K1631	7K1606	7K1784	7K1663	7K1631	7K1648	
			5	7K3318	7K3319	7K3321	7K3322	7K3324	7K3326	
			Upper	7½	7K2269	7K3320	7K2262	7K3323	7K3325	7K3327
			Lower	7½	7K3328		7K3330			
			Upper	10	7K2275	–	7K2276	–	7K2277	–
Lower	10	7K3329	7K3331	7K3332						
24	Cable guards		1	7K2763	–	–	–	–	–	
			1½	7K1891	7K2228	7K2233	7K2229	–	–	
			2	7K1414	7K2763	7K2677	7K2233	–	–	
			3	7K2906	7K1891	7K1923	7K2677	7K2777	7K2900	
			5	7K1635	7K2906	7K2851	7K1423	7K2762	7K1927	
			7½	7K1721	7K2908	7K2758	7K2761	7K2764	7K2773	
			10	7K2679	–	7K2759	–	7K2765	–	

① Indicates model with one intermediate bearing spider.

② Indicates model with split cases and shafts.

**NOTE:** This repair part list is for units which have 2 ears on the discharge head. Previous units with one ear use some different parts. Contact Goulds Water Technology Customer Service for assistance.



# Xylem |'zīləm|

- 1) The tissue in plants that brings water upward from the roots;
- 2) a leading global water technology company.

We're 12,500 people unified in a common purpose: creating innovative solutions to meet our world's water needs. Developing new technologies that will improve the way water is used, conserved, and re-used in the future is central to our work. We move, treat, analyze, and return water to the environment, and we help people use water efficiently, in their homes, buildings, factories and farms. In more than 150 countries, we have strong, long-standing relationships with customers who know us for our powerful combination of leading product brands and applications expertise, backed by a legacy of innovation.

**For more information on how Xylem can help you, go to [www.xylem.com](http://www.xylem.com)**



Xylem, Inc.  
2881 East Bayard Street Ext., Suite A  
Seneca Falls, NY 13148  
Phone: (866) 325-4210  
Fax: (888) 322-5877  
[www.xylem.com/brands/gouldswatertechnology](http://www.xylem.com/brands/gouldswatertechnology)

Goulds is a registered trademark of Goulds Pumps, Inc. and is used under license.  
© 2012 Xylem Inc. R33-80GS May 2010