



# Three Phase 4" Motors, 1/2-10 HP

60 HERTZ, 3450 RPM

## Residential Water Systems

### FEATURES

304 SS casing and end bells for corrosion resistance  
Kingsbury type, 3 shoe, thrust bearing, see chart for ratings

Stainless steel, 17-4 PH splined shaft

Removable, replaceable motor leads, 48" (1/2 - 2 HP)  
or 100" (3 - 10 HP)

Water lubricated with filter/check valve to maintain fluid fill

Lightning and surge protection built-in on 200 V and 230 V models.

Magnetic starter with Class 10, quick-trip overload protection required.

NEMA Mounting Dimensions

### MATERIALS OF CONSTRUCTION

Part	Material
Motor (Stator) Shell	304 SS
Shaft Extension	17-4 PH hardened SS
Motor End Bells	304 SS Castings
Upper and Lower Radial Bearings	Carbon Sleeve
Thrust Bearing	Kingsbury Type
Overload Protection	Built-in, Auto Reset
Lead Wire	XLPE
Lead Potting	Epoxy
Lead Connector	18-8 SS
Fasteners	18-8 SS
Sand Slinger / Slinger Seat	NBR / Delrin

### APPLICATIONS

- 4" motors are designed and sized for installation in 4" diameter or larger water wells.

### SPECIFICATIONS

- **Temperature Rating:** Rated for continuous duty in water of 86° F (30° C) maximum.
- **Cooling:** Proper motor cooling requires a water velocity past the motor of .25'/sec which translates into 1.2 GPM in a 4" casing, 7 GPM in a 5" casing and 13 GPM in a 6" casing.
- Lightning arrestors built-in on 200V and 230V motors.
- **Power Lead:** Removable and replaceable motor leads are held in place by two (2) stainless steel screws for positive compression and sealing. Leads are furnished with motors and are also available as replacement parts.
- **Rotation:** CCW, counterclockwise as you face the top or shaft end of the motor.
- **Starter:** Three phase units require a magnetic starter with three leg, Class 10, quick trip overload protection. Starters are ordered separately.

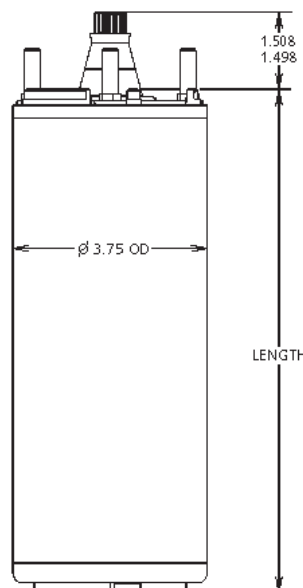
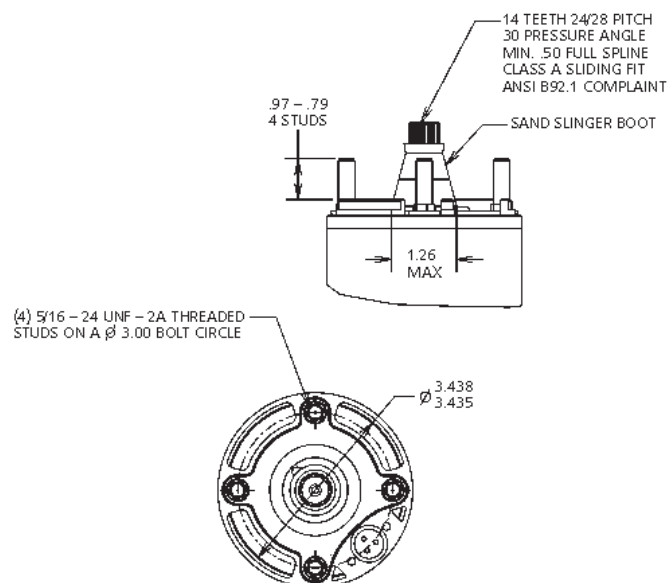
### AGENCY LISTINGS



CentriPro Motor - tested to UL778 and CAN 22.2 by CSA International (Canadian Standards Association)



CentriPro Motor - Certified to NSF/ANSI 61, Annex G, Drinking Water System Components 4P49



### THREE PHASE, 4" MOTOR - ELECTRICAL DATA, 60 HERTZ, 3450 RPM

CentriPro #	Red Jacket #	HP	kW	Volts	SF	Full Load		Service Factor		Locked Rotor Amps	Line - Line Resistance
						Amps	Watts	Amps	Watts		
M05430	50C323	0.5	0.37	200	1.6	2.9	600	3.4	870	22	4.1 - 5.2
M07430	75C323	0.75	0.55		1.5	3.8	812	4.5	1140	32	2.6 - 3.0
M10430	100C323	1	0.75		1.4	4.6	1150	5.5	1500	29	3.4 - 3.9
M15430	150C323	1.5	1.1		1.3	6.3	1560	7.2	1950	40	1.9 - 2.5
M20430	200C323	2	1.5		1.25	7.5	2015	8.8	2490	51	1.4 - 2.0
M30430	300C323	3	2.2		1.15	10.9	2890	12.0	3290	71	0.9 - 1.3
M50430	500C323	5	3.7		1.15	18.3	4850	20.2	5515	113	0.4 - 0.8
M75430	750C323	7.5	5.5		1.15	27.0	7600	30.0	8800	165	0.5 - 0.6
M05432	50C313	0.5	0.37	230	1.6	2.4	610	2.9	880	17.3	5.7 - 7.2
M07432	75C313	0.75	0.55		1.5	3.3	850	3.9	1185	27	3.3 - 4.3
M10432	100C313	1	0.75		1.4	4.0	1090	4.7	1450	26.1	4.1 - 5.1
M15432	150C313	1.5	1.1		1.3	5.2	1490	6.1	1930	32.4	2.8 - 3.4
M20432	200C313	2	1.5		1.25	6.5	1990	7.6	2450	44	1.8 - 2.4
M30432	300C313	3	2.2		1.15	9.2	2880	10.1	3280	58.9	1.3 - 1.7
M50432	500C313	5	3.7		1.15	15.7	4925	17.5	5650	93	.85 - 1.25
M75432	750C313	7.5	5.5		1.15	24	7480	26.4	8570	140	.55 - .85
M05434	50C353	0.5	0.37	460	1.6	1.3	610	1.5	875	9	23.6 - 26.1
M07434	75C353	0.75	0.55		1.5	1.7	820	2.0	1140	14	14.4 - 16.2
M10434	100C353	1	0.75		1.4	2.2	1145	2.5	1505	13	17.8 - 18.8
M15434	150C353	1.5	1.1		1.3	2.8	1560	3.2	1980	16.3	12.3 - 13.1
M20434	200C353	2	1.5		1.25	3.3	2018	3.8	2470	23	8.0 - 8.67
M30434	300C353	3	2.2		1.15	4.8	2920	5.3	3320	30	5.9 - 6.5
M50434	500C353	5	3.7		1.15	7.6	4810	8.5	5530	48	3.58 - 4.00
M75434	750C353	7.5	5.5		1.15	12.2	7400	13.5	8560	87	1.9 - 2.3
M100434	1000C353	10	7.5	1.15	15.6	9600	17.2	11000	110	1.8 - 2.2	
M15437	150C363	1.5	1.1	575	1.3	2.0	1520	2.4	1950	11.5	19.8 - 20.6
M20437	200C363	2	1.5		1.25	2.7	1610	3.3	2400	21	9.4 - 9.7
M30437	300C363	3	2.2		1.15	3.7	2850	4.1	3240	21.1	9.4 - 9.7
M50437	500C363	5	3.7		1.15	7.0	5080	7.6	5750	55	3.6 - 4.2
M75437	750C363	7.5	5.5		1.15	9.1	7260	10.0	8310	55	3.6 - 4.2

### DIMENSIONS AND WEIGHTS

HP	Volts	Length		Weight		
		In.	MM	Lb.	Kg.	
.5	200	10.0	254	19	8.7	
.75		10.8	275	22	9.7	
1		11.7	297	23	10.4	
1.5		11.7	297	23	10.4	
2		230	13.8	351	28	12.7
3			15.3	389	32	14.5
5			21.7	550	55	24.9
7.5		460	27.7	703	70	31.8
10	30.7		780	78	35.4	
1.5	575		11.7	297	23	10.4
2		15.3	389	32	14.5	
3		15.3	389	32	14.5	
5		27.7	703	70	31.8	
7.5		27.7	703	70	31.8	

**EFFICIENCY, THRUST RATING, FUSE/CIRCUIT BREAKER, KVA CODES**

Motor Order No.		HP	Volts	Efficiency %		Thrust Rating	KVA Code	Standard Fuse		DE-TD Fuse		Circuit Breaker	
Centri-Pro	Red Jacket			F.L.	S.F.			Meets NEC based FLA	Max. Value based SFA	Meets NEC based FLA	Max. Value based SFA	Meets NEC based FLA	Max. Value based SFA
M05430	50C323	0.5	200	62	68.5	700 #	R	10	15	6	10	10	15
M07430	75C323	0.75		69	74		R	15	20	10	15	10	20
M10430	100C323	1		66	70		M	15	20	10	10	10	15
M15430	150C323	1.5		72	74		L	20	25	10	15	15	20
M20430	200C323	2		74	75	900 #	K	25	30	15	20	20	25
M30430	300C323	3		77	77		K	35	40	20	25	30	35
M50430	500C323	5		76	76	1500 #	J	60	70	35	40	50	60
M75430	750C323	7.5		74	74		J	80	90	50	60	70	80
M05432	50C313	0.5	230	61	68	700 #	R	6	10	6	6	6	10
M07432	75C313	0.75		66	71		R	6	15	6	10	6	10
M10432	100C313	1		69	72		M	10	15	6	10	10	15
M15432	150C313	1.5		75	76		K	15	20	10	15	15	15
M20432	200C313	2		75	75	900 #	K	15	25	15	15	20	20
M30432	300C313	3		77	77		J	25	35	15	20	25	30
M50432	500C313	5		76	76	1500 #	J	45	60	30	35	40	45
M75432	750C313	7.5		75	75		J	70	80	45	50	60	70
M05434	50C353	0.5	460	61	68	700 #	R	3	6	3	3	3	6
M07434	75C353	0.75		69	73.5		R	3	10	6	6	3	6
M10434	100C353	1		65	69		M	6	10	3	6	6	10
M15434	150C353	1.5		72	73		K	10	10	6	6	6	10
M20434	200C353	2		74	75	900 #	L	15	15	6	10	10	10
M30434	300C353	3		76	77		J	15	20	10	10	15	15
M50434	500C353	5		77	77	1500 #	J	25	30	15	20	20	20
M75434	750C353	7.5		76	76		L	40	50	25	30	35	40
M100434	1000C353	10		79	80		K	45	60	25	35	35	45
M15437	150C363	1.5	575	73	74	700 #	J	6	10	3	6	6	10
M20437	200C363	2		78	78	900 #	M	10	10	6	6	10	10
M30437	300C363	3		78	78		J	10	15	10	10	10	15
M50437	500C363	5		74	75	1500 #	M	20	25	15	15	20	20
M75437	750C363	7.5		77	77		J	25	35	20	20	25	30



Xylem, Inc.  
 2881 East Bayard Street Ext., Suite A  
 Seneca Falls, NY 13148  
 Phone: (866) 325-4210  
 Fax: (888) 322-5877  
[www.xyleminc.com/brands/centripro](http://www.xyleminc.com/brands/centripro)

CentriPro is a trademark of Xylem Inc. or one of its subsidiaries.  
 © 2012 Xylem Inc. BCP3PH R6 April 2012