



STANDARD PANEL FEATURES

NEMA 4X Fiberglass Enclosure

Pump Circuit Breaker(s)

Control Circuit Breaker

Motor Contactor(s)

H-O-A Switch(es) (Hand-Off-Automatic switch)

Pump Run Light(s) through Door

External Motor Components

High Level Alarm Circuit with Dry Contacts

Flashing Red Alarm Light for High Level

Alarm Horn, 101 db @ 10 feet

Alternator selector switch allows a choice of automatic alternation or operation of only pump 1 or pump 2 on duplex panels. Typically used if one pump is down for maintenance.

All controls are UL and CUL Listed

SIMPLEX AND DUPLEX SINGLE PHASE PANELS

FOR SINGLE PHASE PUMPS REQUIRING EXTERNAL MOTOR COMPONENTS

Wastewater

PANEL OPTIONS

Add option characters as order number suffixes in alphabetic order.

- C = Condensation heater, 115 volt (70 watt) prevents condensation inside the panel
- D = Single phase lightning arrestor
- F = Simplex (1) elapsed time meter, shows run time in hours
- G = Duplex (2) elapsed time meters, show run time in hours
- H = Simplex seal fail circuit for (1) pump
- J = Duplex seal fail circuits for (2) pumps

- K = Simplex cycle counter for (1) pump, records On/Off cycles
- L = Duplex cycle counters for (2) pumps, record On/Off cycles for each pump
- M = Simplex high temperature sensor circuit with pump shutdown
- N = Duplex high temperature sensor circuits with pump shutdown

SINGLE PHASE GRINDER PANEL ORDER NUMBERS

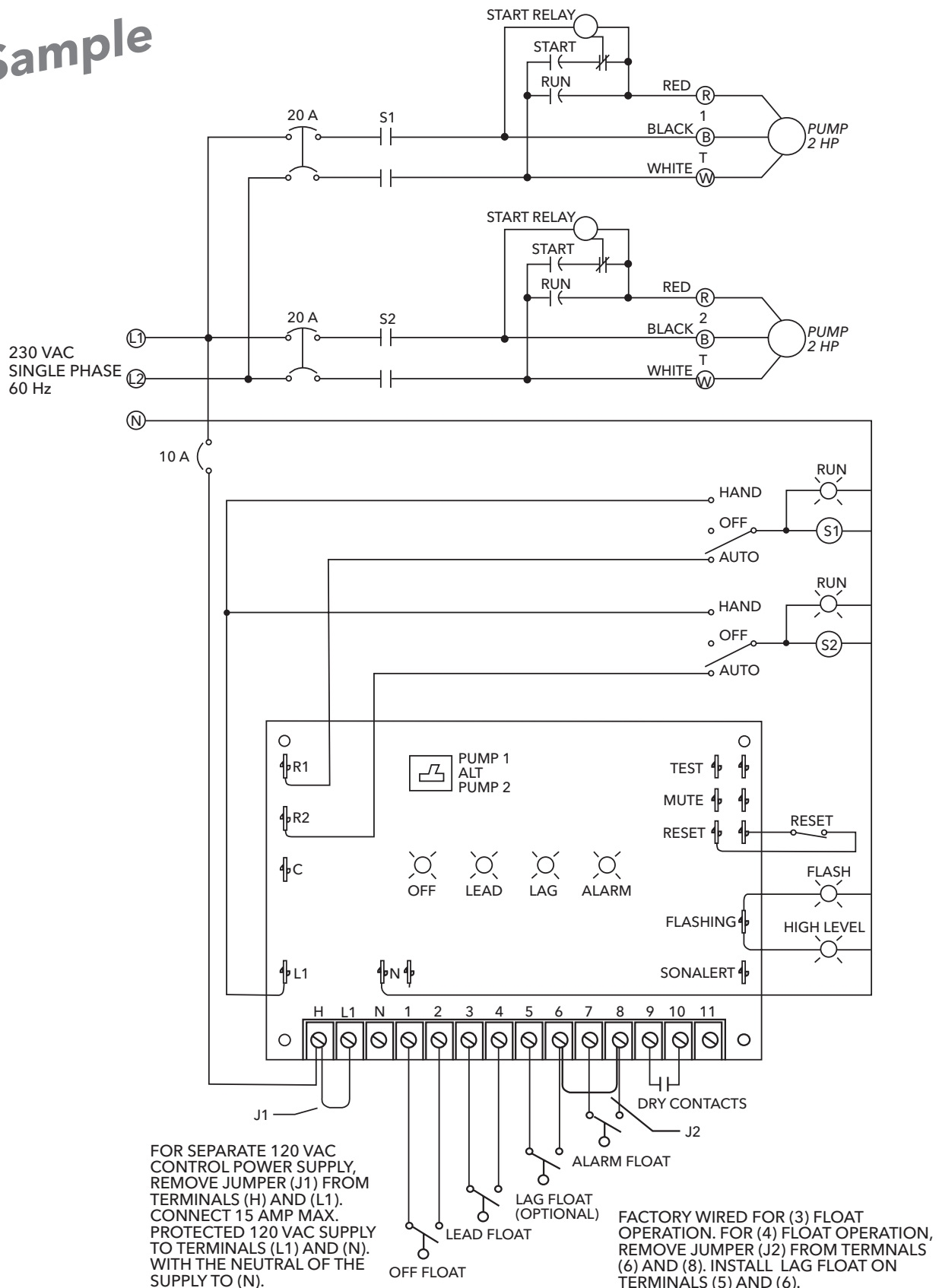
Simplex Panel	Duplex Panel	Pump		Seal Fail Circuit		Pumps	
		HP	Voltage	In Pump	In Panel		
S1GD2	D1GD2	2	230	No	No	1GD51G1AA®	N/A
S1GD2	D1GD2	2	208	No	No	1GD51G8AA®	N/A
S1GD2H®	D1GD2J®	2	230	Yes	Yes	1GD51G1AAS®	12GDS1G31A1A®
S1GD2H®	D1GD2J®	2	208	Yes	Yes	1GD51G8AAS®	12GDS1G21A1A®
S1FGC2®*	D1FGC2®*	2	230	Yes	Yes	1GA71G1HD	15GDS2G31H2D
						1GA71G1LD	15GDS2G31L2D
S1FGC3®*	D1FGC3®*	3	230	Yes	Yes	1GA81H1GD	15GDS2H31G3D
						2GA81H1KD	20GDS2H31K3D
S1FGC5®*	D1FGC5®*	5	230	Yes	Yes	2GA31J1FD	20GDS2J31F1D
						2GA31J1JD	20GDS2J31J1D

* Used on pumps built after December 2005. Call for price on components before that date.

IMPACT CONTROLS FOR MODEL MV, MK, GV PLUS

Style	Horsepower	Seal Fail Included	Voltage	Part Number		
Simplex	3.8	Minicas	208	S138208		
			230	S138230		
	4.0		208	S140208		
			230	S140230		
	5.5		208	S155208		
			230	S155230		
	7.5		208	S175208		
			230	S175230		
	9.5		208	S195208		
			230	S195230		
	Duplex		3.8	Minicas	208	D138208
					230	D138230
4.0		208	D140208			
		230	D140230			
5.5		208	D155208			
		230	D155230			
7.5		208	D175208			
		230	D175230			
9.5		208	D195208			
		230	D195230			

Sample



FOR USE WITH WIDE ANGLE FLOAT SWITCH (ONE FLOAT FOR BOTH ON AND OFF OPERATION). JUMP TERMINALS (3) AND (4), INSTALL WIDE ANGLE FLOAT TO TERMINALS (1) AND (2).

Xylem |'zīləm|

- 1) The tissue in plants that brings water upward from the roots;
- 2) a leading global water technology company.

We're 12,500 people unified in a common purpose: creating innovative solutions to meet our world's water needs. Developing new technologies that will improve the way water is used, conserved, and re-used in the future is central to our work. We move, treat, analyze, and return water to the environment, and we help people use water efficiently, in their homes, buildings, factories and farms. In more than 150 countries, we have strong, long-standing relationships with customers who know us for our powerful combination of leading product brands and applications expertise, backed by a legacy of innovation.

For more information on how Xylem can help you, go to www.xylem.com



Xylem, Inc.
2881 East Bayard Street Ext., Suite A
Seneca Falls, NY 13148
Phone: (866) 325-4210
Fax: (888) 322-5877
www.xylem.com/brands/centripro

CentriPro is a trademark of Xylem Inc. or one of its subsidiaries.
© 2012 Xylem, Inc. BCP5 R9 April 2012