

**FEATURES:**

- Alarm Power Indicator - LED indicator for alarm
- Alarm Replace Indicator - Indicates alarm fuse blown
- Control Power Indicator
- Hand-Off-Auto Buttons and Indicators
- Float Status LED - Indicator on activation and float out of sequence alarm
- Pump Run Indication
- 7-segment LED Display - High water, float status and sequence error, low level, standard dose count, power fail count, on/off pump count, runs, peak dose count
- Nema 4X • Red Alarm Light
- Exterior Alarm Test • Circuit Breakers
- Power Relay • UL/cUL Listed
- C-Level Floatless Sensor

Simplex and Duplex Floatless Panel

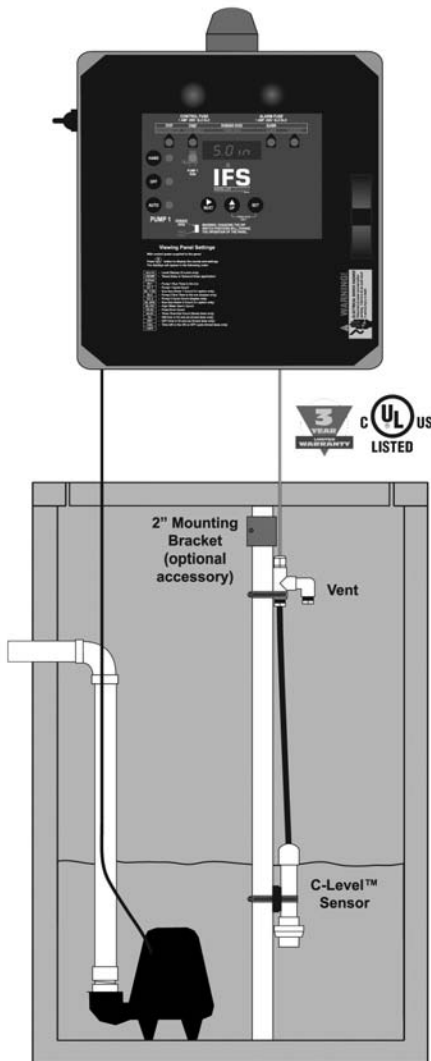
WITH C-LEVEL SENSOR

Single Phase Installer Friendly Series® Demand / Time Dose System

Part #	Enclosure	SJE Description	System Configuration	Voltage	Amp Range	C-Level Sensor	Length of C-Level Cord	Listing
S1ICE07	Nema 4X	Installer Friendly Demand series *	Simplex	115/208/230V	0-7A	Yes	20	UL
S1ICE15	Nema 4X	Installer Friendly Demand series *	Simplex	115/208/230V	7-15A	Yes	20	UL
S1ICE20	Nema 4X	Installer Friendly Demand series *	Simplex	115/208/230V	15-20A	Yes	20	UL
D1ICE07	Nema 4X	Installer Friendly Demand series *	Duplex	115/208/230V	0-7A	Yes	20	UL
D1ICE15	Nema 4X	Installer Friendly Demand series *	Duplex	115/208/230V	7-15A	Yes	20	UL
D1ICE20	Nema 4X	Installer Friendly Demand series *	Duplex	115/208/230V	15-20A	Yes	20	UL

DESCRIPTION: Designed for Easy-Use Programming and Monitoring with Touch Pad on inner door. Demand or Time Dose operation option available.

* **TIME DOSE OPTION** - Add TD to part number and \$75 List adder. Pumps have overload protection.



Float tree not included.

OFFERING

Outdoor panels for sump, effluent and wastewater systems as well as cisterns, storage tanks and irrigation.

- Installer Friendly Series® with innovative Floatless technology.
- Includes: C-Level™ Sensor by SJE-Rhombus. Detects the liquid level in the tank and sends a signal to the panel, which displays this level in inches for easier monitoring of the system.

C-Level™ Sensor Features:

- One sensor replaces up to 4 floats.
- Easy to install and adjust set points.

Three Phase Installer Friendly Series*

- FEATURES:**
- Nema 4X
 - Motor Circuit Protection
 - Alarm Power Indicator - LED Indicator for Alarm
 - Multi-tap Transformer
 - Alarm Replace Indicator - Indicates alarm fuse blown
 - Red Alarm Light
 - Control Power Indicator
 - Alarm Horn
 - Hand-Off-Auto Buttons and Indicators
 - C-Level Sensors
 - UL/cUL Listed

Part #	Enclosure	SJE Description	System Configuration	Voltage	Amp Range	C-Level Sensor	Length of Cord	Listing
S3ICE1016	Nema 4X	IFS Three Phase 1.0-1.6 amps	Simplex	208/230/460V	1.0-1.6A	Yes	20	UL
S3ICE1625	Nema 4X	IFS Three Phase 1.6-2.5 amps	Simplex	208/230/460V	1.6-2.5A	Yes	20	UL
S3ICE2540	Nema 4X	IFS Three Phase 2.5-4.0 amps	Simplex	208/230/460V	2.5-4.0A	Yes	20	UL
S3ICE4063	Nema 4X	IFS Three Phase 4.0-6.3 amps	Simplex	208/230/460V	4.0-6.3A	Yes	20	UL
S3ICE6010	Nema 4X	IFS Three Phase 6.0-10 amps	Simplex	208/230/460V	6.0-10A	Yes	20	UL
S3ICE9014	Nema 4X	IFS Three Phase 9.0-14 amps	Simplex	208/230/460V	9-14A	Yes	20	UL
S3ICE1318	Nema 4X	IFS Three Phase 13-18 amps	Simplex	208/230/460V	13-18A	Yes	20	UL
S3ICE1723	Nema 4X	IFS Three Phase 17-23 amps	Simplex	208/230/460V	17-23A	Yes	20	UL
S3ICE2025	Nema 4X	IFS Three Phase 20-25 amps	Simplex	208/230/460V	20-25A	Yes	20	UL
D3ICE1016	Nema 4X	IFS Three Phase 1.0-1.6 amps	Duplex	208/230/460V	1.0-1.6A	Yes	20	UL
D3ICE1625	Nema 4X	IFS Three Phase 1.6-2.5 amps	Duplex	208/230/460V	1.6-2.5A	Yes	20	UL
D3ICE2540	Nema 4X	IFS Three Phase 2.5-4.0 amps	Duplex	208/230/460V	2.5-4.0A	Yes	20	UL
D3ICE4063	Nema 4X	IFS Three Phase 4.0-6.3 amps	Duplex	208/230/460V	4.0-6.3A	Yes	20	UL
D3ICE6010	Nema 4X	IFS Three Phase 6.0-10 amps	Duplex	208/230/460V	6.0-10A	Yes	20	UL
D3ICE9014	Nema 4X	IFS Three Phase 9.0-14 amps	Duplex	208/230/460V	9-14A	Yes	20	UL
D3ICE1318	Nema 4X	IFS Three Phase 13-18 amps	Duplex	208/230/460V	13-18A	Yes	20	UL
D3ICE1723	Nema 4X	IFS Three Phase 17-23 amps	Duplex	208/230/460V	17-23A	Yes	20	UL
D3ICE2025	Nema 4X	IFS Three Phase 20-25 amps	Duplex	208/230/460V	20-25A	Yes	20	UL

DESCRIPTION: 3-phase panel equipped with easy Use Touch Pad for programming and monitoring.



Xylem, Inc.
2881 East Bayard Street Ext., Suite A
Seneca Falls, NY 13148
Phone: (866) 325-4210
Fax: (888) 322-5877
www.xylem.com/brands/centripro

CentriPro is a trademark of Xylem Inc. or one of its subsidiaries. C-Level is a trademark of SJE-Rhombus, patent pending. Installer Friendly Series is a registered trademark of SJE-Rhombus.
© 2012 Xylem, Inc. BCPFLPAN March 2012