



S12015FR, 1Ø

SIMPLEX CONTROL PANEL

Wastewater

FEATURES

Rugged NEMA 4X construction withstands even the most severe weather conditions and prevents corrosion.

Hinged door with lockable stainless steel latch for safe operation indoors and out.

Dead front, full inner door for operator safety-access provided for H-O-A switch, pump run light, alarm test switch, ETM and pull-out service disconnect.

High level alarm circuit with external alarm horn silence switch.

Alarm test switch on inner door insures proper operation of the alarm circuit without the need to actuate the alarm float.

Inside mounted pump run light.

Top mounted high intensity red light provides 360° visibility.

Corrosion proof alarm horn.

Color coded wiring, screw type terminals, ensure ease of field servicing.

Field wiring diagram, panel schematic and installation instructions included.

Entire unit is UL and CUL listed.

Non-modifiable – no options available.

APPLICATIONS

Simplex liquid level controller, automatically maintains pump operation, includes high level alarm warning for a variety of sump, effluent, sewage and water transfer applications.

SPECIFICATIONS

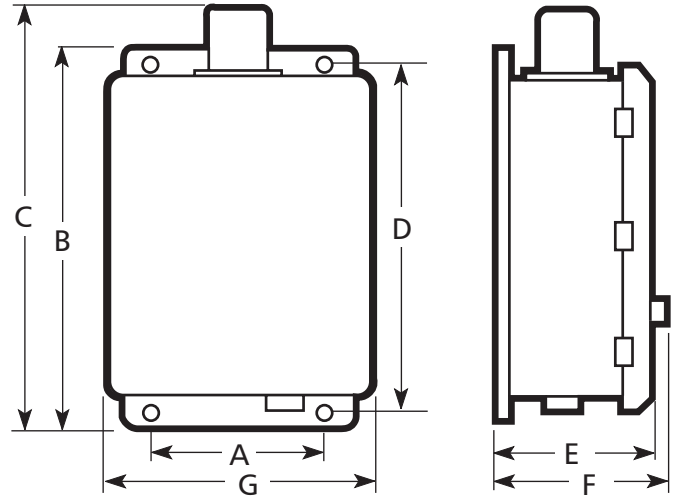
- Single-phase, 115 volt, 60 hertz
- NEMA 4X Fiberglass Deadfront Enclosure
- Full Inner Door
- Elapsed Time Meter
- Service Disconnect inside enclosure, pull-out type
- Float Switches – included with panel:
 - (1) A2E33, 20' SJE Pump Master Plus®
 - (1) A2N33, 20' SJE Sensor Float® control switch
- Hand-Off-Automatic (H-O-A) pump selection switch on inner door
- Accepts single or dual power feed
- Numbered Terminal Strip – screw type
- NEMA 4X, 30 watt Red Alarm Light
- NEMA 4X Alarm Horn – 95 db. with external silence switch
- Alarm Test Switch on inner door
- Pump Run Light on inner door
- Auxiliary Alarm Contacts

Order No.	Maximum Running Amps	Float Switches (Model and Quantity)
S12015FR	15	(1) A2E33 pump switch
		(1) A2N33 high level switch

ENCLOSURE DIMENSIONS (IN INCHES)

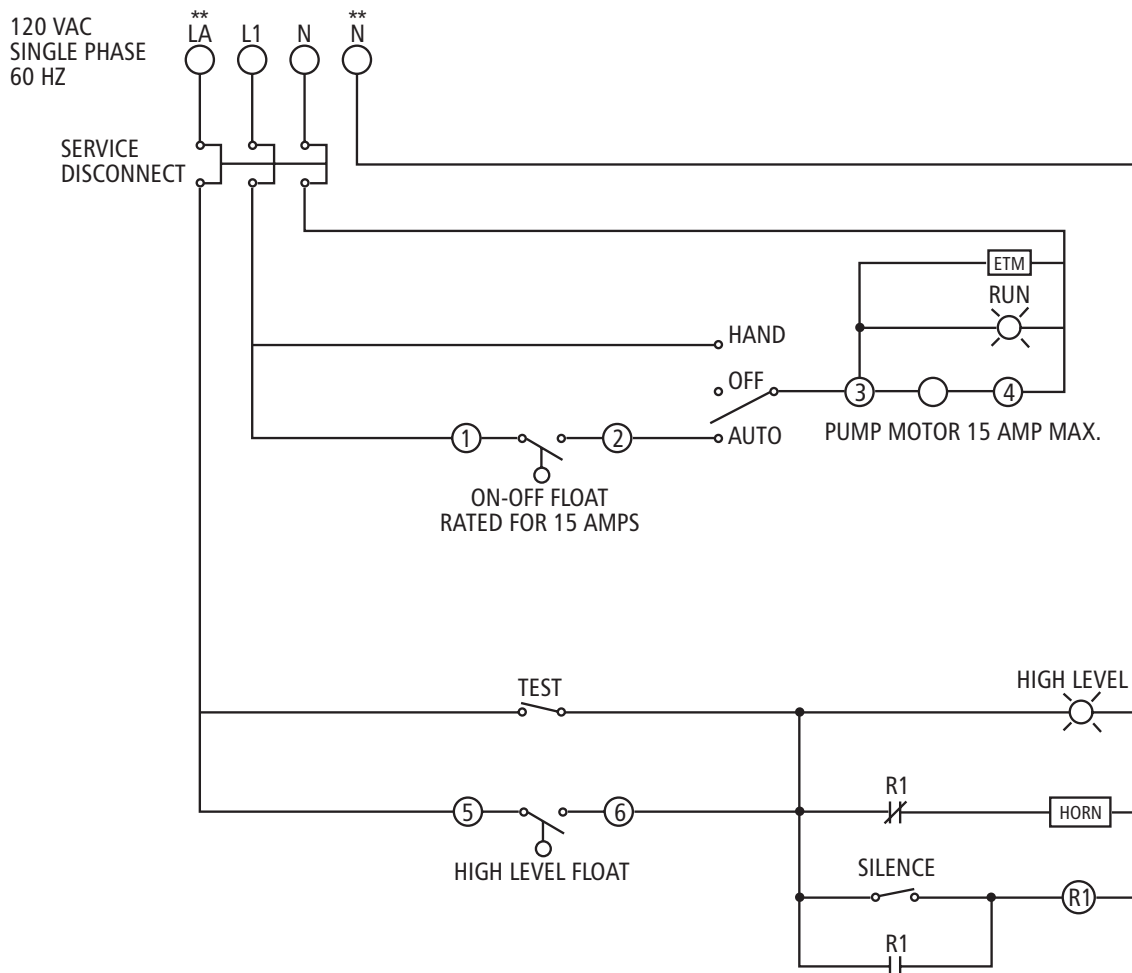
Single Phase

A	B	C	D	E	F	G
6.3	11.5	14.3	10.8	5.5	6.0	9.3



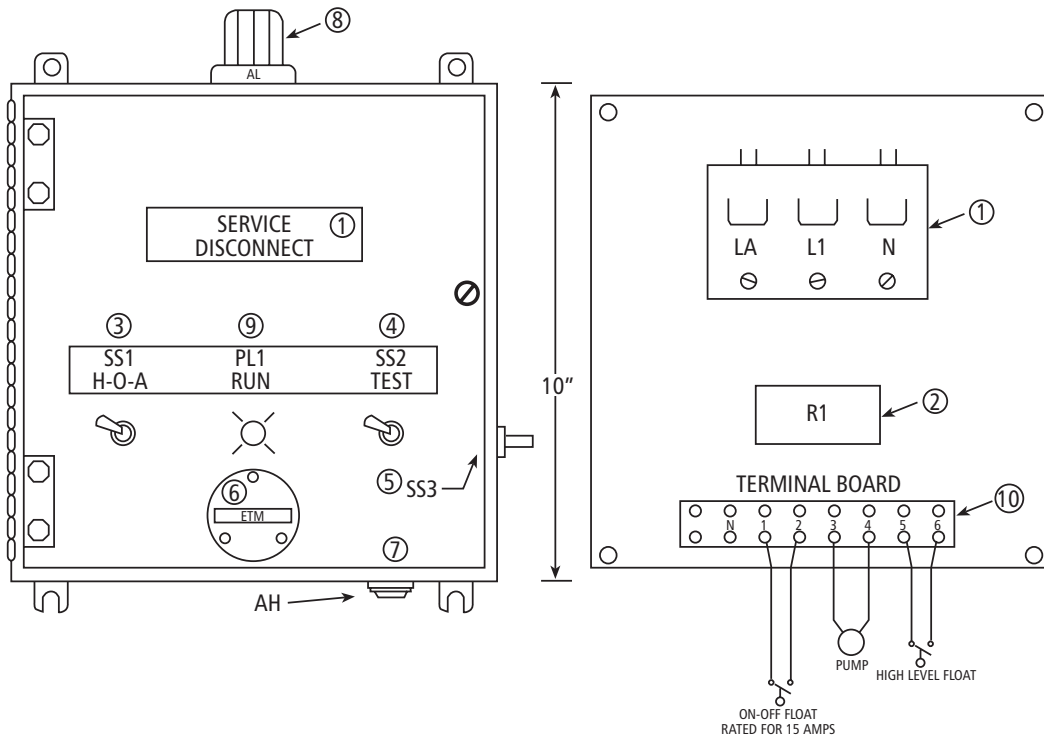
WIRING DIAGRAM

- * INSTALL JUMPER BETWEEN LA AND L1, N AND N IF A SEPARATE ALARM CIRCUIT IS NOT REQUIRED
- ** CONNECT 120 VAC CIRCUIT TO TERMINAL LA AND N FOR SEPARATE ALARM POWER.



COMPONENTS

No.	Item	Description
1	DISC	Service Disconnect
2	R1	Control Relays
3	SS1	Switch H-O-A
4	SS2	Switch Alarm Test
5	SS3	Switch Alarm Silence
6	ETM	Running Time Meter
7	AH	Alarm Horn
8	AL	Alarm Light
9	PL1	Pump Run Light
10	TB	Wiring Terminal Board



xylem
Let's Solve Water

Xylem, Inc.
2881 East Bayard Street Ext., Suite A
Seneca Falls, NY 13148
Phone: (866) 325-4210
Fax: (888) 322-5877
www.xylem.com/brands/centripro

CentriPro is a trademark of Xylem Inc. or one of its subsidiaries.
© 2012 Xylem, Inc. BCP5120 R4 March 2012