



# POLYETHYLENE BASINS AND COVERS

**FEATURES**

Suitable for residential and light commercial sump or sewage applications.

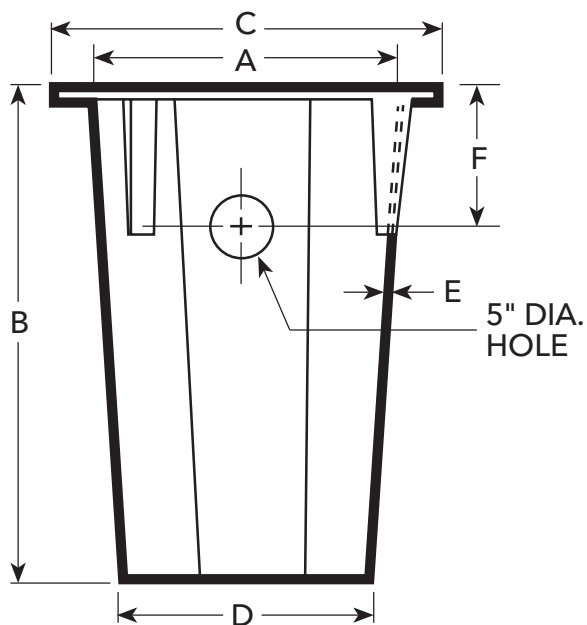
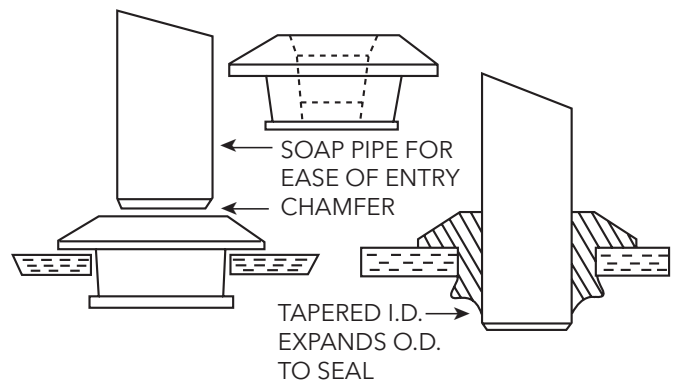
Stacking ribs and tapered profile provide greater efficiency in shipping and storage.

Made of non-corrosive, impact resistant, virgin polyethylene.

Basins are available with structural foam, steel or poly covers, sealing tape, 2 inch discharge/vent pipe grommets, 4 inch inlet pipe grommet and 2 inch cord seal.

All basins listed are provided with inlet hole drilled.

Maximum fluid temperature: 130° F (54° C).

**DIMENSIONS****PIPE GROMMET DETAIL**

### SELECTION CHART

| Order Number | Nominal Basin Size (inches) | Basin Style     | Cover Style   | Cover Dia. (in.) | Bolt Circle | No. Bolt Holes | In-side Dia. A | Height B | Out-side Dia. C | Base Dia. D | Thick-ness E | Inlet F | Capacity   |               | Weight (lbs.) |
|--------------|-----------------------------|-----------------|---------------|------------------|-------------|----------------|----------------|----------|-----------------|-------------|--------------|---------|------------|---------------|---------------|
|              |                             |                 |               |                  |             |                |                |          |                 |             |              |         | Total Gal. | Gal. Per Inch |               |
| A7-121614P   | 12 x 16 x 14                | Sump Box        | Oval          | 10 x 14          | NA          | 8              | NA             | 14       | NA              | NA          | 3/8"         | 2       | 11         | 1             | 7             |
| A7-1822P     | 18 x 22                     | Sump Crock      | Slotted/ Poly | 20.5             | NA          | NA             | 18"            | 22"      | 22"             | 17"         | 1/8"         | -       | 22         | 1             | 6             |
| A7-1830P     | 18 x 30                     | Poly Basin      | Simplex Steel | 20.5             | 19.5        | 4              | 18"            | 30"      | 22"             | 17"         | 3/8"         | 10 1/2  | 30         | 1             | 10            |
| A7-1830IL    | 18 x 30                     | IAPMO®          | Simplex Steel | 20.5             | 19.5        | 4              | 18"            | 30"      | 22"             | 17"         | 3/8"         | 10 1/2  | 30         | 1             | 10            |
| A7-1830SP    | 18 x 30                     | Side Vent       | Simplex Steel | 20.5             | 19.5        | 4              | 18"            | 30"      | 22"             | 17"         | 3/8"         | 10 1/2  | 30         | 1             | 18            |
| A7-1830SPP   | 18 x 30                     | Side Vent       | Simplex Poly  | 20.5             | 19.5        | 4              | 18"            | 30"      | 22"             | 17"         | 3/8"         | 10 1/2  | 30         | 1             | 15            |
| A7-2331SP    | 23 x 31                     | Side Vent       | Simplex Poly  | 28               | 24.5        | 6              | 23"            | 30"      | 29"             | 22"         | 3/8"         | 10 1/2  | 50         | 1.6           | 24            |
| A7-1822LPN   | 18 x 22                     | Poly Basin      | Slotted/ Poly | 20.5             | 19.5        | 4              | 18"            | 22"      | 22"             | 17"         | 3/8"         | 10 1/2  | 19         | 1             | 6             |
| A7-1822RPS   | 18 x 22                     | Radon Gas Tight | Simplex Steel | 20.5             | 19.5        | 4              | 18"            | 22"      | 22"             | 17"         | 3/8"         | 10 1/2  | 19         | 1             | 14            |
| A7-1822SVP   | 18 x 22                     | Side Vent       | Simplex Poly  | 20.5             | 19.5        | 4              | 18"            | 22"      | 22"             | 17"         | 3/8"         | 10 1/2  | 19         | 1             | 10            |
| A7-1824LP    | 18 x 24                     | Corrugated Poly | Slotted Poly  | 20.5             | 19.5        | 4              | 18"            | 24"      | 22"             | 17"         | 3/8"         | 10 1/2  | 22         | 1             | 9             |
| A7-2424PS    | 24 x 24                     | Poly Basin      | Simplex Steel | 28               | 26.5        | 6              | 24"            | 24"      | 29"             | 23"         | 3/8"         | 10 1/2  | 43         | 1.9           | 35            |
| A7-2430PS    | 24 x 30                     | Poly Basin      | Simplex Steel | 28               | 26.5        | 6              | 24"            | 30"      | 29"             | 23"         | 3/8"         | 10 1/2  | 54         | 1.9           | 39            |
| A7-2436P     | 24 x 36                     | Poly Basin      | Simplex Steel | 28               | 26.5        | 6              | 24"            | 36"      | 29"             | 23"         | 3/8"         | 10 1/2  | 65         | 1.9           | 26            |
| A7-3036PS    | 30 x 36                     | Poly Basin      | Simplex Steel | 34               | 32.5        | 6              | 30"            | 39"      | 36"             | 29"         | 5/8"         | 10 1/2  | 103        | 3             | 45            |
| A7-3036PD    | 30 x 36                     | Poly Basin      | Duplex Steel  | 34               | 32.5        | 6              | 30"            | 36"      | 35"             | 29"         | 5/8"         | 10 1/2  | 103        | 3             | 50            |
| A7-3636PS    | 36 x 36                     | Poly Basin      | Simplex Steel | 40               | 38.5        | 6              | 36"            | 36"      | 41"             | 35"         | 5/8"         | 10 1/2  | 154        | 4.3           | 55            |
| A7-3636PD    | 36 x 36                     | Poly Basin      | Duplex Steel  | 40               | 38.5        | 6              | 36"            | 36"      | 41"             | 35"         | 5/8"         | 10 1/2  | 154        | 4.3           | 60            |

® This basin meets a 10' stack test requirement.

### PIPE GROMMETS FOR ALL BASINS AND COVERS UP TO 36" DIAMETER

Alcryn Thermoplastic can be used for basin inlet, discharge and vent connections.

| Thermoplastic Uniseal Inlet Grommet |                |                        |
|-------------------------------------|----------------|------------------------|
| Order No.                           | Pipe Size      | Required Hole Diameter |
| A8-2U                               | 2"             | 3"                     |
| A8-24U                              | 2"             | 4"                     |
| A8-3U                               | 3"             | 4"                     |
| A8-4U                               | 4"             | 5"                     |
| A8-4DU                              | 4" Double Seal | 5"                     |
| A8-6U                               | 6" Seal        | 7"                     |

# Xylem |'zīləm|

- 1) The tissue in plants that brings water upward from the roots;
- 2) a leading global water technology company.

We're 12,500 people unified in a common purpose: creating innovative solutions to meet our world's water needs. Developing new technologies that will improve the way water is used, conserved, and re-used in the future is central to our work. We move, treat, analyze, and return water to the environment, and we help people use water efficiently, in their homes, buildings, factories and farms. In more than 150 countries, we have strong, long-standing relationships with customers who know us for our powerful combination of leading product brands and applications expertise, backed by a legacy of innovation.

**For more information on how Xylem can help you, go to [www.xyleminc.com](http://www.xyleminc.com)**



Xylem, Inc.  
2881 East Bayard Street Ext., Suite A  
Seneca Falls, NY 13148  
Phone: (866) 325-4210  
Fax: (888) 322-5877  
[www.xyleminc.com/brands/centripro](http://www.xyleminc.com/brands/centripro)

CentriPro is a trademark of Xylem Inc. or one of its subsidiaries.  
© 2012 Xylem, Inc. BCPOLY R4 April 2012