

**FEATURES**

Built-in Magnetic Contactors allow the use of standard pressure switches, prolong switch life and eliminate the need to source and install separate contactors, saving installation time and reducing total system component costs.

Voltage Relay for installer convenience

230 volt standard models

Start Capacitors for starting torque

Run Capacitors for efficiency and quiet operation

Type N3R enclosure for indoor or outdoor mounting

Multiple knockouts and two ground terminals

Manual reset overload circuit breakers

Agency Listing in progress

---

# Magnetic Contactor 1Ø Control Boxes

FOR 6", 5 - 15 HP CENTRIPRO SUBMERSIBLE MOTORS

---



**CentriPro**  
a xylem brand

### CONTROL BOXES FOR 6" CENTRIPRO (HITACHI) SINGLE PHASE MOTORS\*

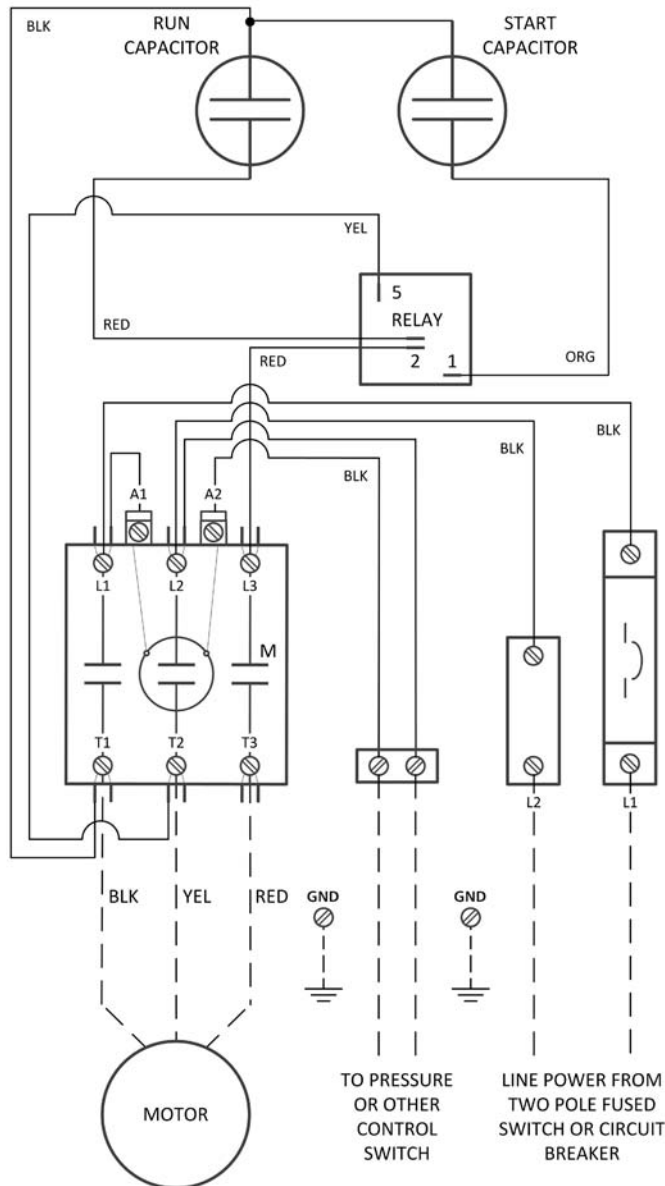
Control Box Order Number	Use On Motor No.	HP	Volts	Capacitor Ratings (MFD)		Contactor Rating	Overload Circuit Breaker	Enclosure Dimensions	Shipping Wt. (lbs.).
				Start Caps	Run Caps				
CB05MC3R	6M051	5	230	189-227uf / 330V	30 / 440V	30A	30A	12.5" H x 11" W x 6.7" D	15
CB07MC3R	6M071	7.5	230	243 - 292 / 330V	40 / 440V	50A	50A		
CB10MC3R	6M101	10	230	(Qty 2) 161 - 193 / 330V	(2) 25 / 440V	70A	70A	17.5" H x 11" W x 6.7" D	27
CB15MC3R	6M151	15	230	(Qty 2) 216 - 260 / 330V	(2) 35 / 440V	90A	90A		
CB15MC1003R ①							100A		

① Overload circuit breaker is rated at 100 amps versus 90 amp standard in CB15MC. Use in areas with high ambient temperatures to reduce nuisance tripping.

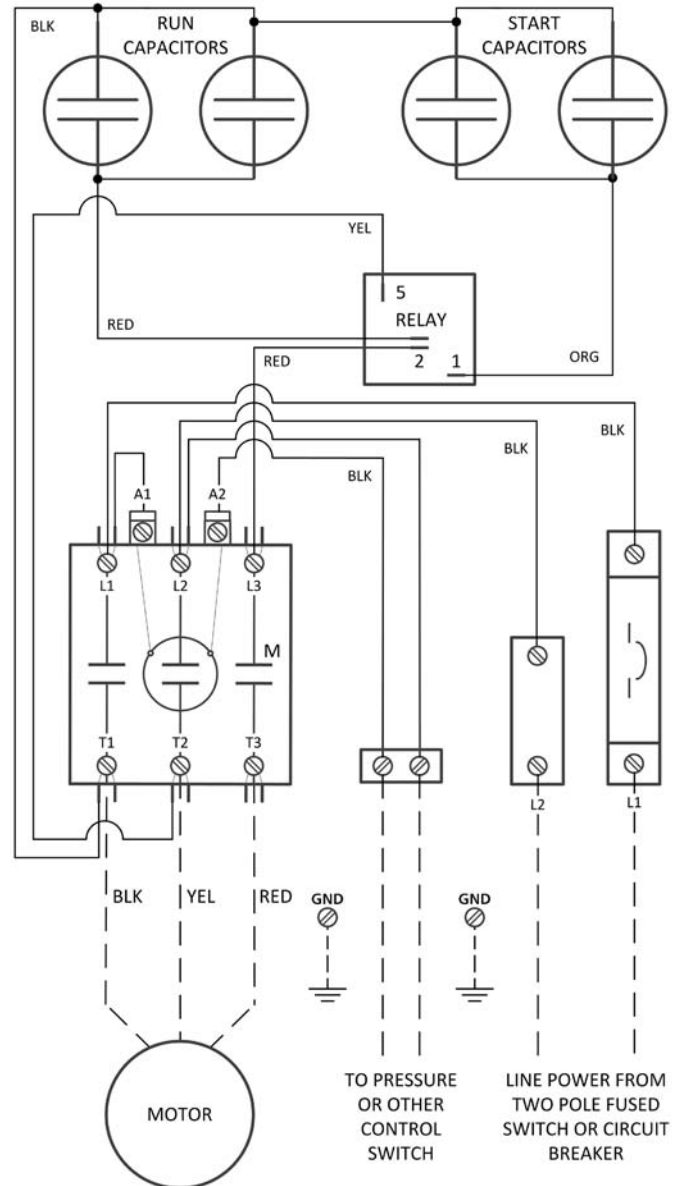
\* CentriPro (Hitachi) motors can only be operated using these control boxes, Franklin Electric control boxes will not work and will void the CentriPro warranty.

Do not use these control boxes on Franklin Electric 6" motors as the overloads and capacitors are not the same as used by FE, using these will void FE's warranty.

### 5 AND 7.5 HP WIRING DIAGRAM



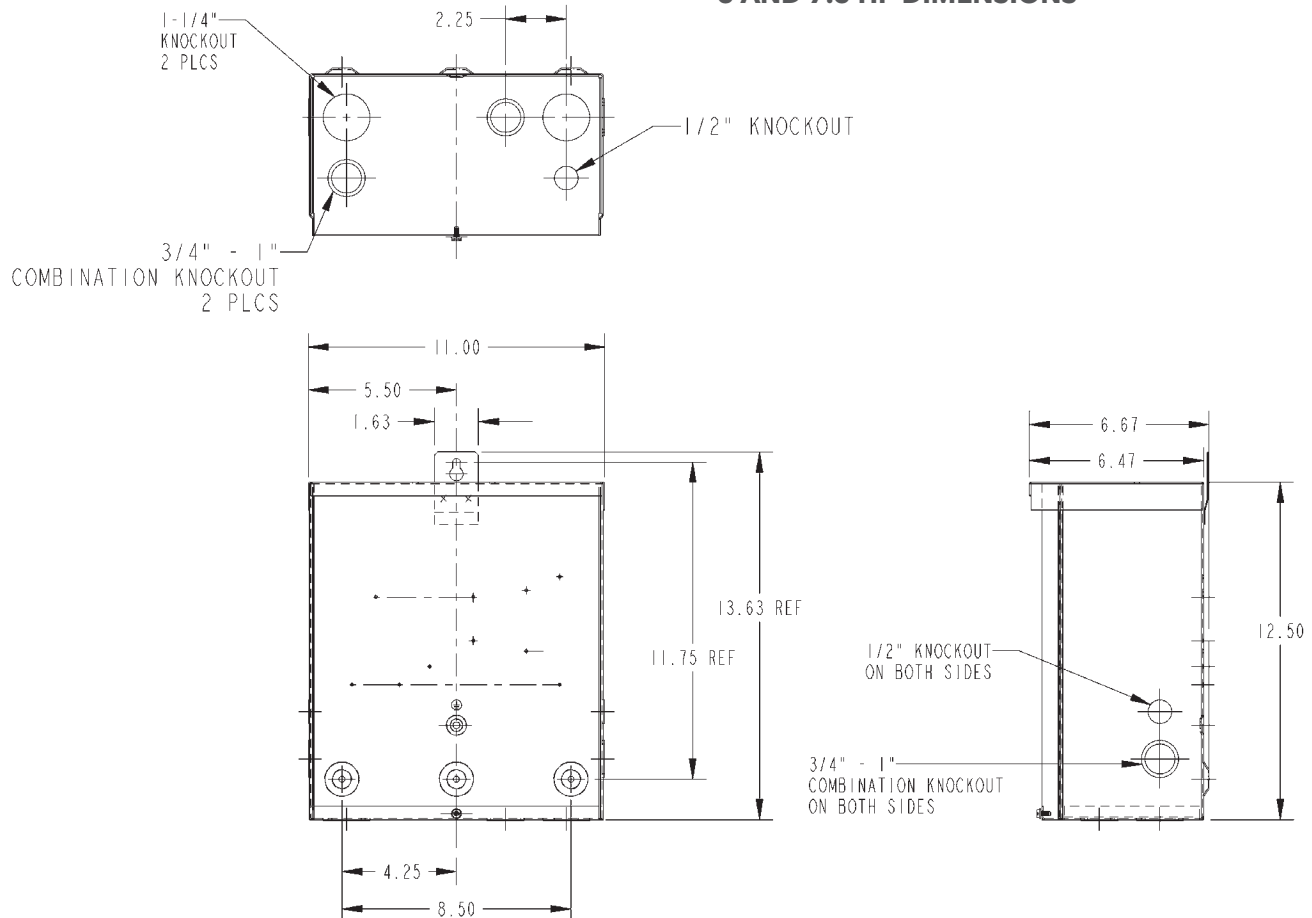
### 10 AND 15 HP WIRING DIAGRAM



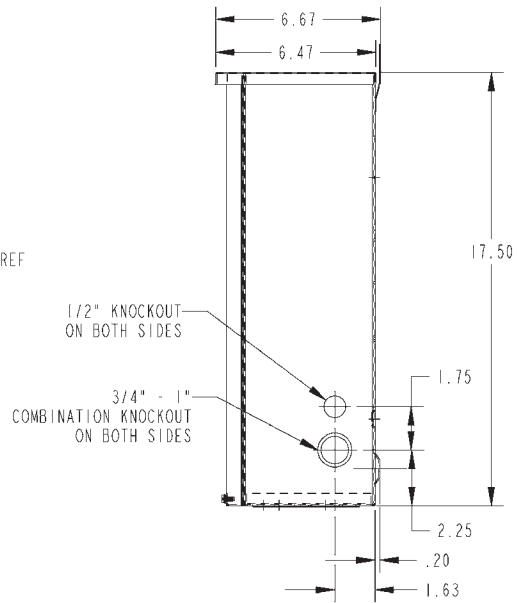
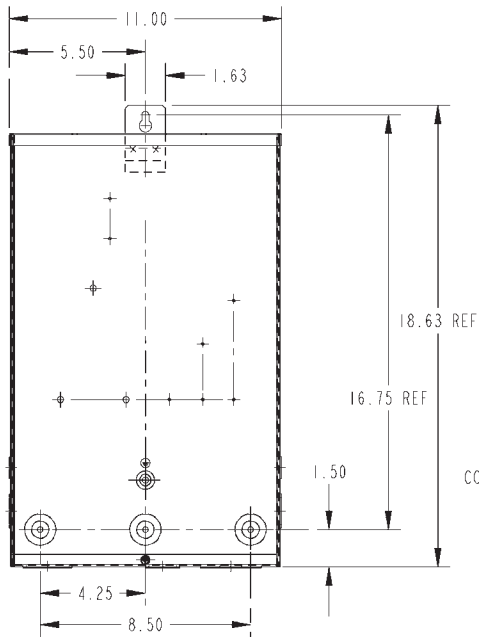
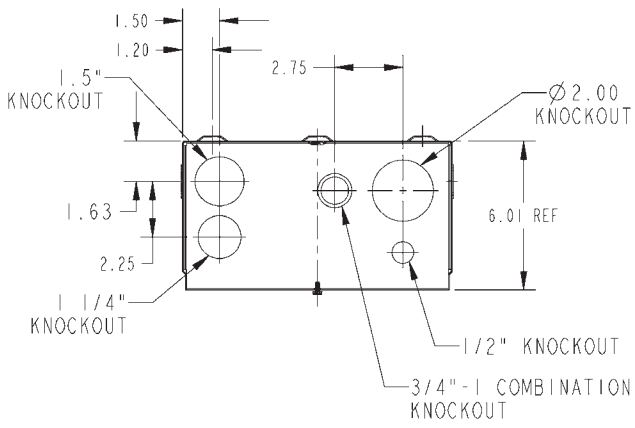
### 6" MOTOR CONTROL BOX PART LIST

Order No.	Part Description	Where Used
9K580	General Electric Relay # 3ARR22J4A3	ALL
9K581	Run Capacitor 35uF at 450V	CB15MC3R & CB15MC1003R
9K582	Start Capacitor 216-260uF at 330V	
9K608	Start Capacitor 161-193uF at 330VAC	CB10MC3R
9K609	Start Capacitor 243-292uF at 330VAC	CB07MC3R
9K610	Start Capacitor 189-227uF at 330VAC	CB05MC3R
9K611	Run Capacitor 25uF at 450VAC	CB10MC3R
9K612	Run Capacitor 40uF at 450VAC	CB07MC3R
9K613	Run Capacitor 30uF at 450VAC	CB05MC3R
9K614	DP Mag Contactor 90 FLA, 3 pole	CB15MC3R & CB15MC1003R
9K615	DP Mag Contactor 75 FLA, 3 pole	CB10MC3R
9K616	DP Mag Contactor 50 FLA, 3 pole	CB07MC3R
9K617	DP Mag Contactor 30 FLA, 3 pole	CB05MC3R
9K618	Circuit Breaker 100A	CB15MC1003R
9K619	Circuit Breaker 90A	CB15MC3R
9K620	Circuit Breaker 60A	CB10MC3R
9K621	Circuit Breaker 50A	CB07MC3R
9K622	Circuit Breaker 30A	CB05MC3R

### 5 AND 7.5 HP DIMENSIONS



**10 AND 15 HP DIMENSIONS**



**xylem**  
Let's Solve Water

Xylem, Inc.  
2881 East Bayard Street Ext., Suite A  
Seneca Falls, NY 13148  
Phone: (866) 325-4210  
Fax: (888) 322-5877  
[www.xylem.com/brands/centripro](http://www.xylem.com/brands/centripro)

CentriPro is a trademark of Xylem Inc. or one of its subsidiaries.  
© 2012 Xylem Inc. BC6CBOX R1 September 2012