



FEATURES

- Ductile Iron Construction
- Powder coated for Corrosion Resistance
- Compact design for greater space availability in the basin
- Designed for simple installation and removal on most pumps
- Innovative design allows for pump service without the need to disconnect plumbing or physically enter the basin
- Units include a SS chain kit - see descriptions
- Base units accept different size guide pipes (not supplied)
- Optional non-sparking bronze guide plate available for 3" and 4" flanged discharge models with HB suffix
- Upper guide bracket included in all packages
- Intermediate guide brackets available as an option

Guide and Disconnect Systems Less Rails

1¼" THROUGH 6" CONNECTIONS






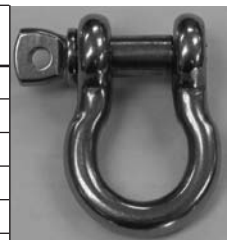
CentriPro
a xylem brand

CONERY BASE ELBOW RAIL SYSTEM

CentriPro Order #	Connections	Description	Weight (lbs.)	Use With	Max. Pump Weight (lbs.)
CBE1220	1¼" x 2"	Kit Includes: <ul style="list-style-type: none"> (1) Ductile Iron Base Elbow (1) Ductile Iron Pull-out (1) SS Pump Adapter Flange and Mounting Hardware (1) SS Lower Guide Plate Bracket and Mounting Hardware (Attached) (2) BUNA-N O-rings (1) SS Upper Guide Rail Bracket (UGB-STNLS) (1) SS 3/16" Lifting Chain (7') (1) SS 3/16" Lifting Chain (3') (3) SS ¼" SPA Shackles (1) SS ¼" Quick Link (1) SS Lifting Eyebolt 	51	Grinder or effluent pumps with 1¼" discharge	200
CBE1520	1½" x 2"		51	Sump and effluent pumps with 1½" discharge and stainless steel sewage pumps with 1½" discharge for 1⅜" solids	200
CBE2020	2" x 2"		55	Sewage or effluent pumps with 2" discharge	200
CBE3030	3" x 3"		76	2" Solids handling sewage pumps and 3" NPT threaded vertical discharge (pumps equipped with A1-3, 3" flange)	400
CBE2020CP	2" x 2"		76	2" Solids handling sewage pumps and 2" NPT threaded vertical discharge	200
CBE3030H	3" x 3"		66	2½" Solids handling pumps with 3" 125# ANSI flanged discharge.	400
CBE3030HB	3" Flange x 3" NPT non-sparking		68	2½" Solids handling pumps with 3" 125# ANSI flanged discharge.	400
CBE4040H	4" Flange		157	3" Solids handling pumps with 4" 125# ANSI flanged discharge.	1,000
CBE4040HB	4" Flange non-sparking		163	3" Solids handling pumps with 4" 125# ANSI flanged discharge.	1,000
CBE6060	6" Flange		200	3½" Solids handling pumps with 6" 125# ANSI flanged discharge.	1,000
CBE6060B	6" Flange non-sparking		200	3½" Solids handling pumps with 6" 125# ANSI flanged discharge.	1,000

CONERY BASE ELBOW RAIL SYSTEM OPTIONAL COMPONENTS

CentriPro Order #	Vendor Part #	Pictures	Description
CBR075	IGB075		SS Intermediate guide bracket - use with ¾" pipe
CBR100	IGB100		SS Intermediate guide bracket - use with 1" pipe
CBR125	IGB0125		SS Intermediate Guide Bracket - use with 1¼" pipe
CPA12	PAF125		SS Pump adapter - for pumps with 1¼" NPT discharge
CPA15	PAF150		SS Pump adapter - for pumps with 1½" NPT discharge
CPA20	PAF200		SS Pump adapter - for pumps with 2" NPT discharge
CPA30	PAF300		SS Pump adapter - for pumps with 3" NPT discharge
CUGB-S			SS Upper Guide Rail Bracket: For use with ¾", 1" and 1¼" Guide Rails (stainless steel recommended)
CUGB-G			Galvanized Steel Upper Guide Rail Bracket: For use with ¾", 1" and 1¼" Guide Rails (stainless steel recommended)



SHACKLE

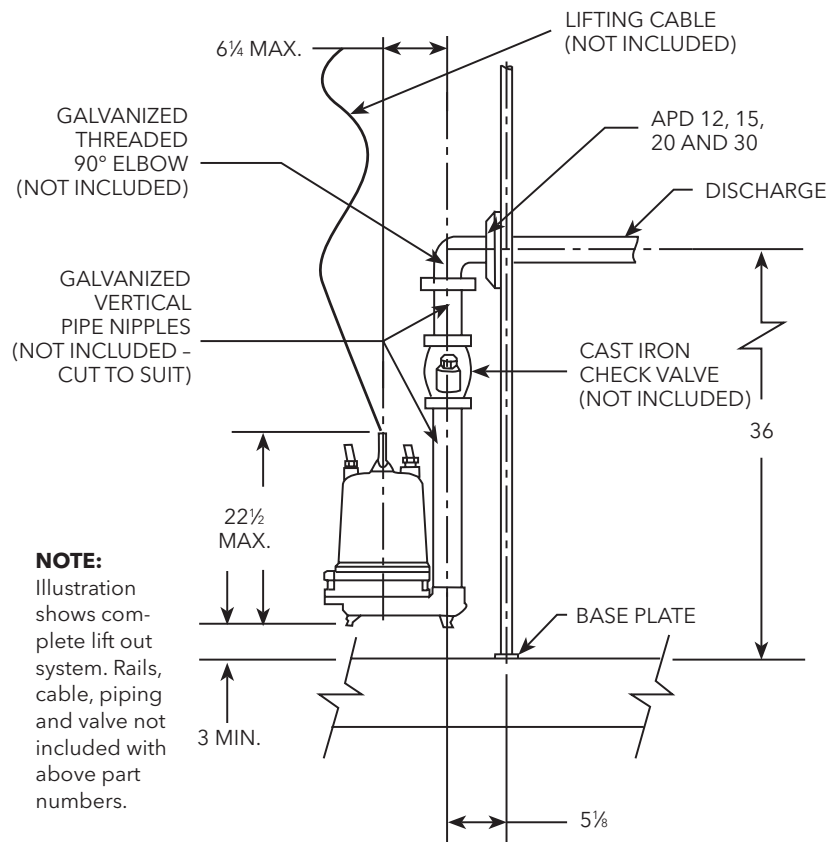
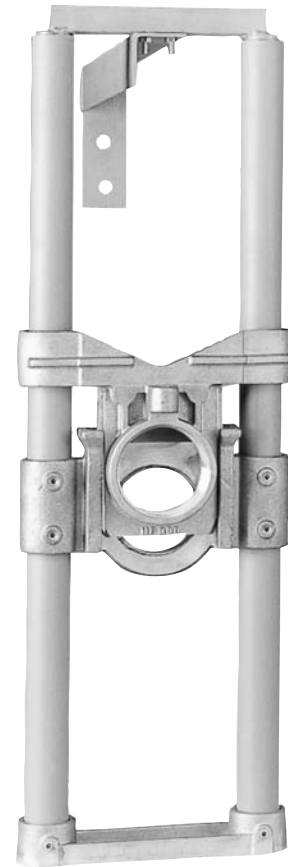


QUICK LINK

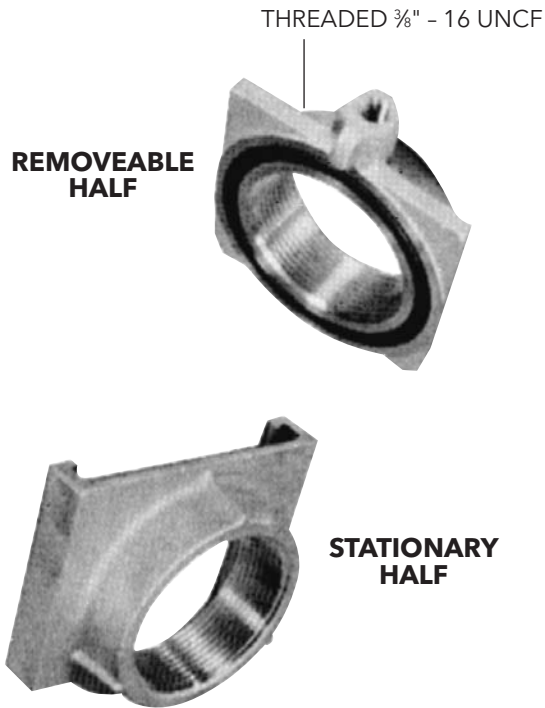
UNASSEMBLED PUMP DISCONNECT RAIL SYSTEM KIT FEATURES

- 1¼, 1½ and 2" bronze disconnect and bottom brackets are non-sparking and corrosion resistant. Top bracket is vinyl-coated steel. The 60° cut-out allows removable half of disconnect to be removed from the guide rails without removing the top bracket. System will accept ¾" PVC, stainless steel or galvanized steel guide rails (**not supplied by CentriPro**).
- 3" Bronze disconnect is built to satisfy the greater demands of 3" pumps. System accepts 1¼" PVC, stainless steel or galvanized steel guide rails (**not supplied by CentriPro**).

Pump Discharge Size	Part No.	Teflon O-Ring
1¼"	APD12	AR32T
1½"	APD15	AR35T
2"	APD20	AR33T
3"	APD30	AR36T



LIFT-OUT ADAPTERS EFFLUENT AND SEWAGE



- Available in 1¼", 1½" and 2" NPT pipe connection.
- Recommended for shallow basins where guide rails are not necessary.
- All brass construction with teflon coated O-ring.

Order No.	Discharge Pipe Connection	Teflon O-Ring
AF-12	1¼" NPT	AR32T
AF-15	1½" NPT	AR35T
AF-20	2" NPT	AR33T

xylem
Let's Solve Water

Xylem, Inc.
2881 East Bayard Street Ext., Suite A
Seneca Falls, NY 13148
Phone: (866) 325-4210
Fax: (888) 322-5877
www.xylem.com/brands/centripro

CentriPro is a trademark of Xylem Inc. or one of its subsidiaries.
© 2012 Xylem, Inc. BCPGDS March 2012