

**FEATURES****A10-30, 3" X 4" RAIL SYSTEM:**

Connects to any pump with a 3", 150# ANSI flanged discharge. Outlet is a 4" flanged discharge.

**A10-40, 4" X 4" RAIL SYSTEM:**

Connects to any pump with a 4", 150# ANSI flanged discharge. Outlet is a 4" flanged discharge.

**A10-60, 4" X 6" RAIL SYSTEM:**

Connects to any pump with a 4", 150# ANSI flanged discharge. Outlet is a 6" flanged discharge.

**ALL MODELS:**

Cast iron construction for standard applications.

Optional bronze pump adapter for applications requiring a non-sparking disconnect.

Standard kit contains a Base, a Pump Adapter with all required bolts and fittings and the Upper Guide Rail Positioning Bracket.

Optional intermediate guide rail brackets are available in either steel or brass for non-sparking applications.

Guide rails are not supplied - they may be sourced locally - 2" stainless steel guide rails recommended.

Spare pump adapter kits are available for those who want a back-up pump/adapter ready for an emergency quick change.

# GUIDE RAIL SYSTEMS

EFFLUENT AND SEWAGE



**CentriPro**  
a xylem brand

### 3" AND 4" DISCHARGE GUIDE RAIL SYSTEM

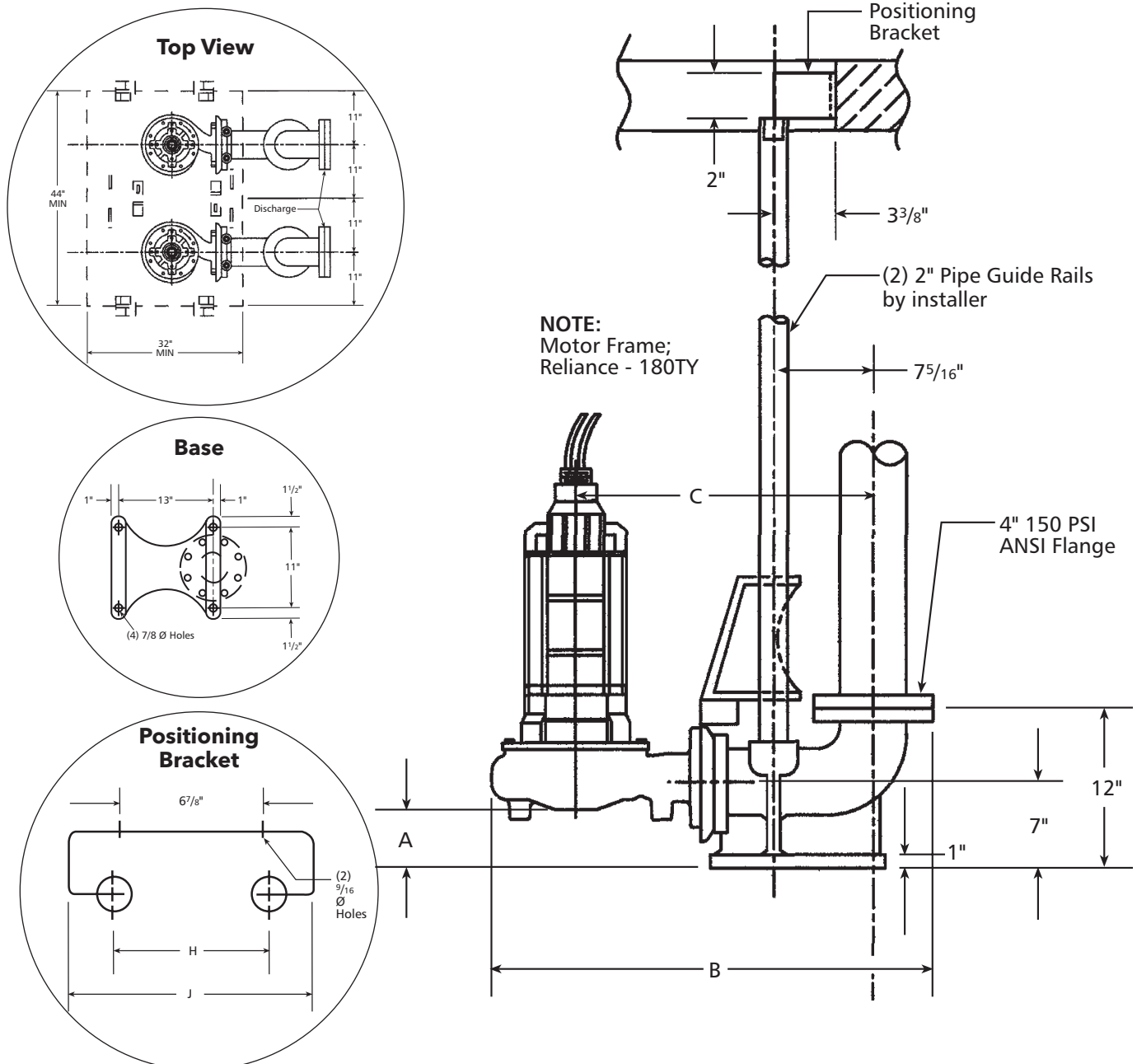
- Heavy duty cast iron construction.
- Twin guide rails provide positive alignment with base.
- No sealing devices required - pump weight provides sufficient force for proper seal.
- Self cleaning design. When pump flange engages base, the shearing action wipes the sealing surfaces clean.

#### System Components Include:

- Base with integral cast elbow.
- Pump adapter - guide assembly with fasteners.
- Upper guide rail positioning bracket. Carbon steel bracket available as an option in stainless steel.

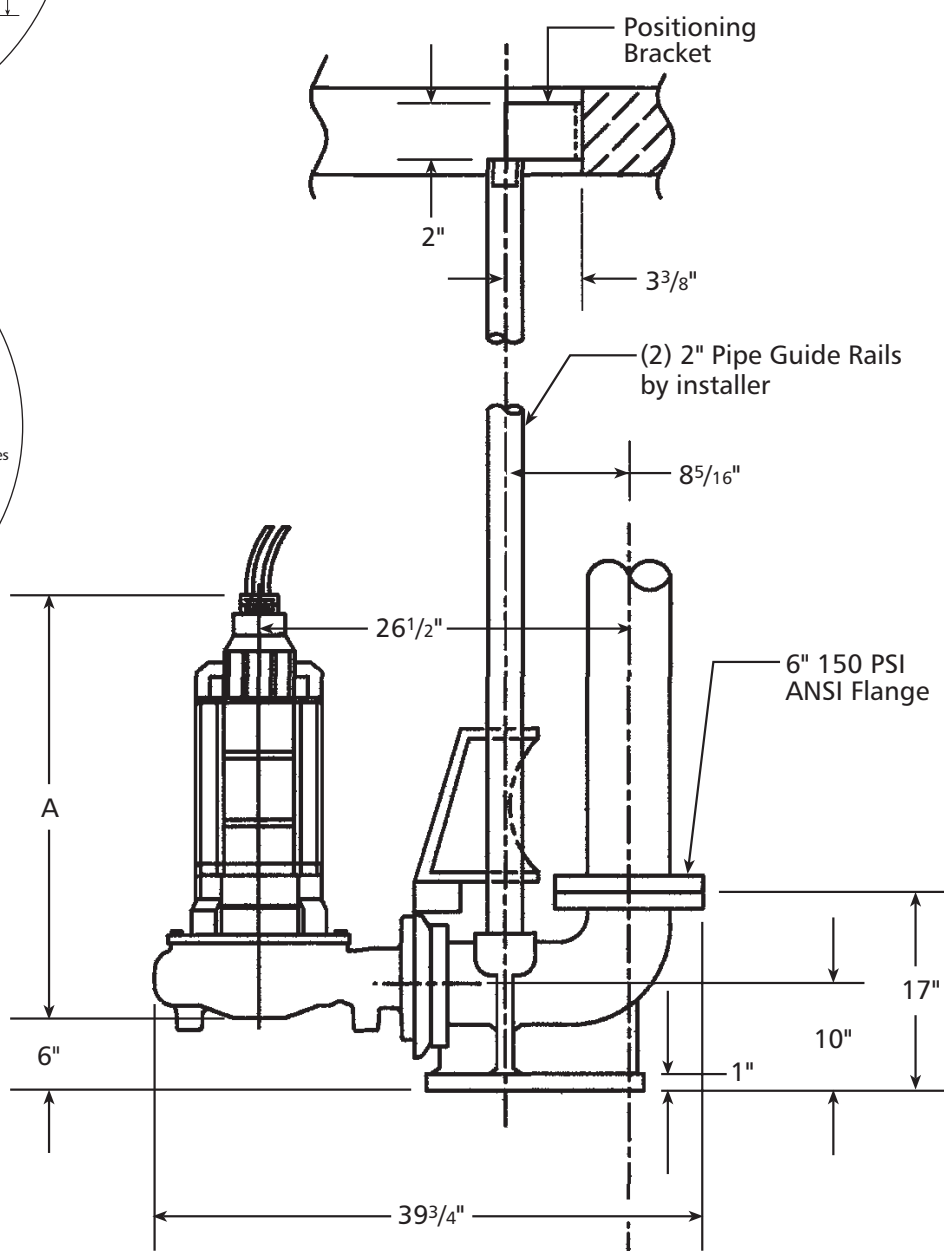
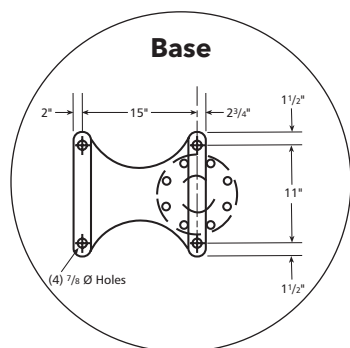
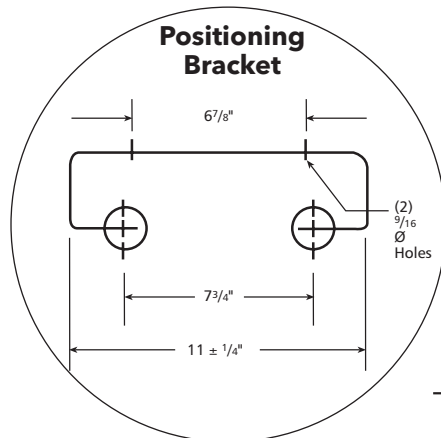
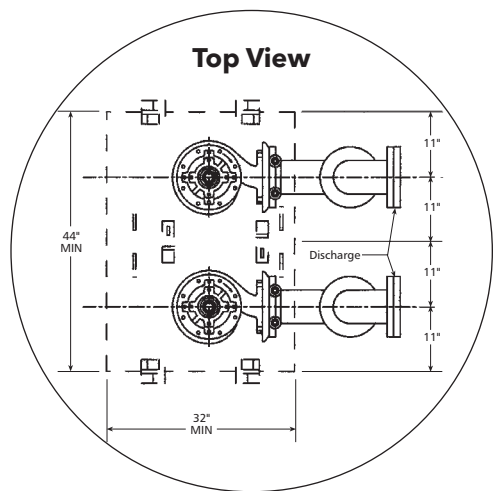
**NOTE:** Guide rails not furnished by CentriPro. Lifting chains and bails ordered separately. Intermediate bracket available as seen on page 4 for pits over 11 feet.

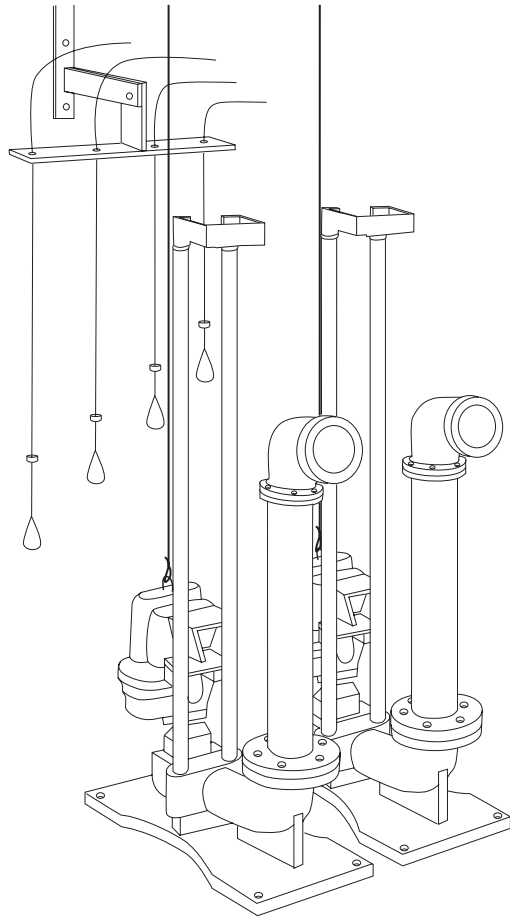
Pump Discharge	Part Number	A	B Max.	C	H	J	Weight
3"	A10-30	4 <sup>9</sup> / <sub>16</sub>	33 <sup>3</sup> / <sub>8</sub>	22½	6¾	11 ± ¼	170 lbs.
4"	A10-40	3 <sup>13</sup> / <sub>16</sub>	34¼	23	7¾	12 ± ¼	185 lbs.



### 4" DISCHARGE GUIDE RAIL SYSTEM

Frame	Pump Discharge	Part Number	A	Weight
210	4"	A10-60	37 <sup>3</sup> / <sub>4</sub> "	185 lbs.
250	4"	A10-60	43 <sup>1</sup> / <sub>8</sub> "	185 lbs.





### PUMP ADAPTER KITS

- 1K340 - for A10-30 iron
- 1K341 - for A10-40 / A10-60 iron
- 1K447 - for A10-30B brass
- 1K448 - for A10-40B / A10-60B brass

Part numbers are for repairs, component is included in the A10-30, 40 accessory.

### INTERMEDIATE GUIDE RAIL BRACKET

A10-30 (B) standard	4K436
A10-40 (B), 60 (B) standard	4K437
A10-30 304 SS	4K631
A10-40 304 SS	4K632

Used on pits over 11 feet for extra support.  
Must be purchased separately.

### MINIMUM BASIN DIAMETER

	Minimum	Recommended
Simplex	36"	42"
Duplex	48"	60"

Pump Discharge Size	Order Number	ANSI Flanged Discharge Size	Material of Positioning Bracket	Used On These Pumps
3"	A10-30	4" 150 lb. ANSI	Carbon Steel	3WDA, 3DWS, 3WS, 3888D3, 3SD 3GV, 3MV, 3MK
3"	A10-30SS		Stainless Steel	
4"	A10-40	6" 150 lb. ANSI	Carbon Steel	4WDA, 4DWS, 4DWN, 4WS, 3888D4, 4SD, 4NS 4GV, 4MV, 4MK
4"	A10-40SS		Stainless Steel	
4"	A10-60SS	4" 150 lb. ANSI	Carbon Steel	3XWC, 3SDX, 3GVX, 3MVX, 3MKX
3" XP	A10-30B			4XWC, 4XWN, 4SDX, 4GVX, 4MVX, 4MKX
4" XP	A10-40B			4XWC, 4XWN, 4XD, 4SDX, 4GVX, 4MVX, 4MKX
4" XP	A10-60B	6" 150 lb. ANSI		

\* For 6MK units, see Conery base elbow CBE6060.



Xylem, Inc.  
2881 East Bayard Street Ext., Suite A  
Seneca Falls, NY 13148  
Phone: (866) 325-4210  
Fax: (888) 322-5877  
[www.xylem.com/brands/centripro](http://www.xylem.com/brands/centripro)

CentriPro is a trademark of Xylem Inc. or one of its subsidiaries.  
© 2012 Xylem, Inc. BCPCGR R12 April 2012