



The Oil **Smart** Switch with panel or alarm, when combined with a pump, allows water to be pumped from Elevator sumps, leachate wells and transformer vaults without danger of pumping oil into sewers and waterways.



The Oil **Removal** System is an oil removal system providing alarm when oil is being pumped.

**FEATURES**

- Protects environment from hazardous waste
- The solid state device senses between oil and water
- Panel and switch kitted with effluent single phase pumps.
- Only operates pump if water is sensed by probes. Does not operate if oil is present in pit.
- Oil Removal:** Sensor differentiates between oil and water. Panel allows oil to be pumped.

# Elevator Sump Kits and Components

### OIL SMART® SWITCH

- Solid state sensing device that differentiates between oil and water
- Two sense points, Pump On and Pump Off, reduces the risk of pumping oil or other hydrocarbons into the environment
- Includes mounting hardware
- Pump On position is the shorter rod
- Pump Off position is the longer rod
- Pumping Differential: 6"
- Dimensions: 2.5" wide x 6" high (body less rods) x 1.75" deep.
- 20' cord
- Completely encapsulated and water-tight
- CE, UL 508, UL Marine and CUL Listings
- Exceeds U.S. Coast Guard Standards
- Complies with State and Federal regulations and reduces the risk of adverse publicity and expensive cleanup costs.

Part Number A1SEEWATER  
A1SEEWATERP (with plug)



### OIL SMART® ALARM

- Alarm leak or liquid detection
- 120V
- Includes Liquid Smart® Sensor
- Sensor differentiates between oil and water
- Alarm indication differentiates liquid
- Dry contacts

Part Number A4-SEE1



### OIL SMART® SWITCH AND ALARM KIT

- Combines plug version of Oil Smart switch for direct pump connection with Oil Smart alarm
- Two sense points, Pump On and Pump Off, reduces the risk of pumping oil or other hydrocarbons into the environment
- Includes mounting hardware
- Pump On position is the shorter rod
- Pump Off position is the longer rod
- Pumping Differential: 6"
- Dimensions: 2.5" wide x 6" high (body less rods) x 1.75" deep.
- 20' cord
- Completely encapsulated and water-tight
- CE, UL 508, UL Marine and CUL Listings
- Includes Liquid Smart® Sensor
- Sensor differentiates between oil and water
- Alarm indication differentiates liquid
- Dry contacts

Part Number A1SEEWATER1

Includes:

- A1SEEWATERP
- A4SEE1



## Wastewater

### SIMPLEX SINGLE PHASE PANEL KIT

- Simplex, 115 or 230 volt, 1Ø panel, up to 20 amps, in rugged NEMA 4X fiberglass enclosure with locking hasp and hinged door.
- Use with our model A1SEEWATER Oil Smart sensor to control a sump/effluent pump in areas where oil may be present.
- The sensor differentiates **between oil and water**. The panel and sensor will not allow the pump to operate unless water is present, eliminating environmental contamination and costly oil cleanups.
- High level alarm features a top mounted high intensity red alarm light with 360° visibility and a 95db corrosion resistant alarm horn.
- Terminal strip with connections
- Entire panel is UL and CUL Listed.
- Switch included (A1SEEWATER)
- Includes Liquid Smart switch

Part Number A1SEE1

Includes:

- Panel • Liquid Smart sensor • Oil Smart switch

### Optional panels available on request for oil removal to separate chamber

- by operation of solenoid OR
- with two separate pumps

### SIMPLEX SINGLE PHASE PANEL OIL REMOVAL KIT

- The sensor differentiates **between oil and water**. The panel will allow oil to be pumped to same chamber while sending alarm.

Part Number A1SEE2

Includes:

- Panel • Liquid Smart sensor • Oil Smart switch

### SIMPLEX THREE PHASE PANEL KIT

- Simplex, 3Ø panel in rugged NEMA 4X fiberglass enclosure with locking hasp. Multitap.

Part Number - 208V/230V/460V/480V = A3SEE1

Includes:

- Panel • Liquid Smart sensor • Oil Smart switch

### SIMPLEX THREE PHASE PANEL OIL REMOVAL KIT

- The sensor differentiates **between oil and water**. The panel will allow oil to be pumped to same chamber while sending alarm signal. Multitap.

Part Number - 208V/230V/480V = A3SEE2

Includes:

- Panel • Liquid Smart sensor • Oil Smart switch



Liquid Smart Switch



Panel



Oil Smart Switch

### DUPLEX SINGLE PHASE PANEL KIT

- 1Ø panel, 115 / 208 / 230 volt
- Two 20 amp motor start relays
- Operates pumps: up to ¾ HP at 120V  
up to 2 HP at 230V
- Includes Liquid Smart® alarm sensor
- Alarm indication differentiates liquid
- Includes high water 2-pump demand switch
- Includes Oil Smart® pump controller
- Alternation, 2-pump high demand, pump no load lockout.
- Seal fail fault and high temperature
- NEMA 4X enclosure
- Dry contacts
- All switches included

Part Number D1SEE20

Part Number D1SEE20 includes:

- Panel
- Oil Smart switch
- High water 2-pump switch
- Liquid Smart sensor



High Water  
2-Pump Switch



Liquid Smart Switch



Panel

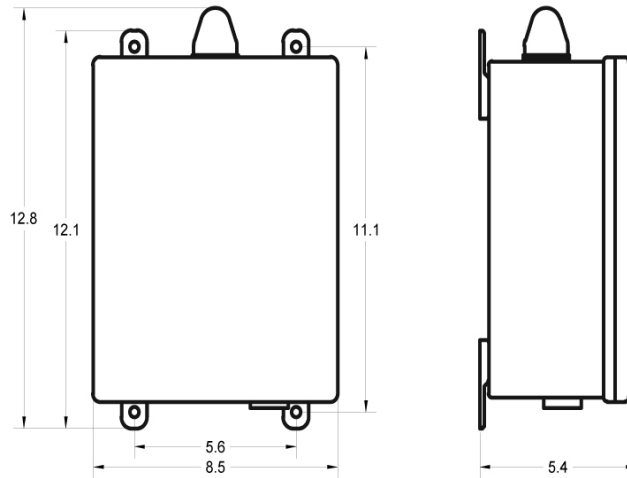


Oil Smart Switch

## PANEL LAYOUTS

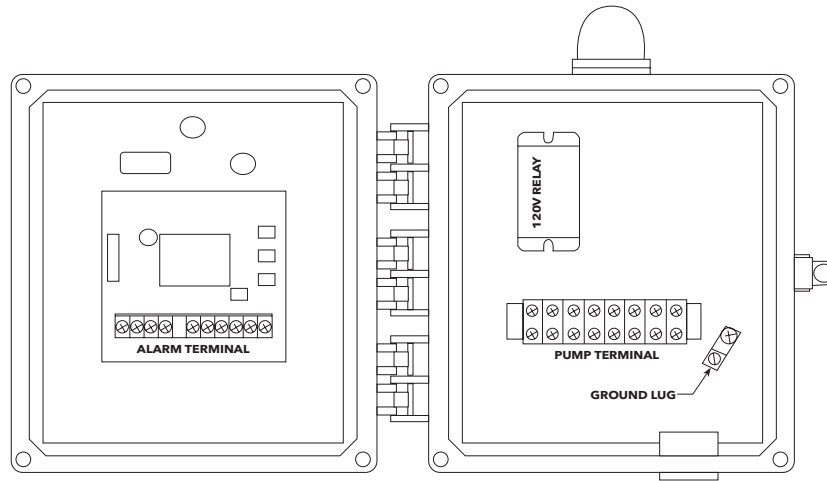
### SIMPLEX SINGLE PHASE PANEL – A1SEE1

#### Enclosure Dimensions (in inches)

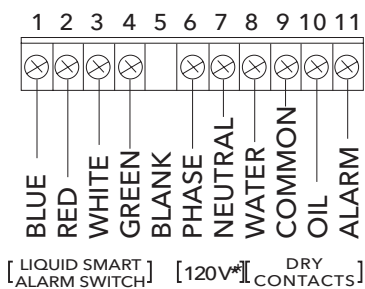


#### Wiring Diagram

#### INSIDE VIEW

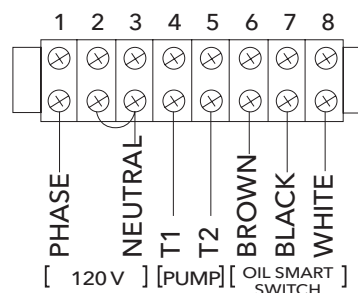


#### ALARM TERMINAL



\* Hook up separate 120V supply here or jump from pump terminal 1 and 3 to alarm terminal 6 and 7 for power.

#### PUMP TERMINAL

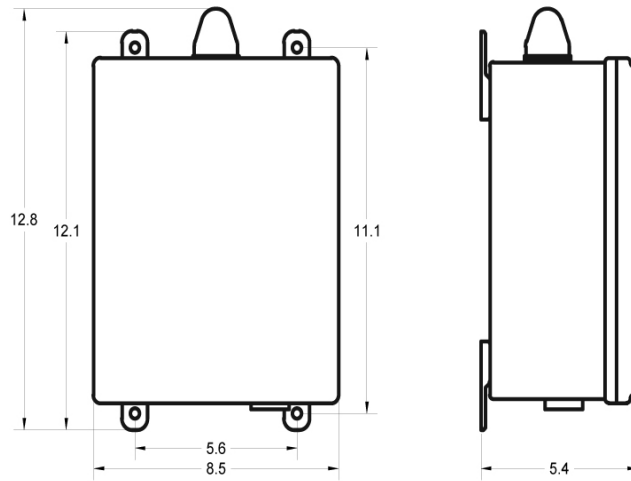


\* For 240V, remove jumper and supply power to terminals 1 and 2, with neutral on 3.

## PANEL LAYOUTS

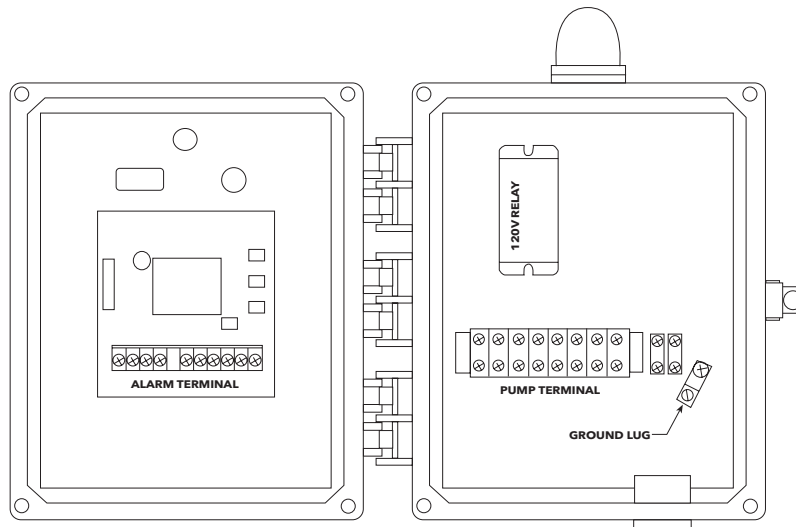
### SIMPLEX PANEL OIL REMOVAL – A1SEE2

#### Enclosure Dimensions (in inches)

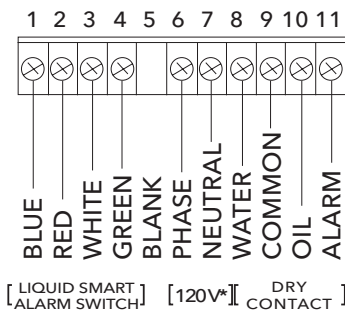


#### Wiring Diagram

#### INSIDE VIEW

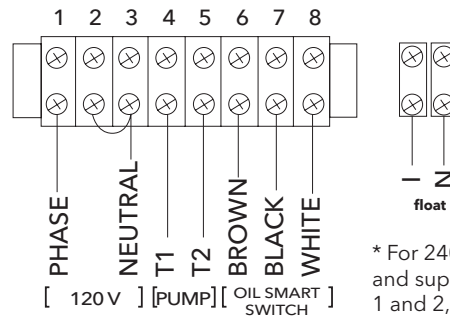


#### ALARM TERMINAL



\* Hook up separate 120V supply here or jump from pump terminal 1 and 3 to alarm terminal 6 and 7 for power.

#### PUMP TERMINAL

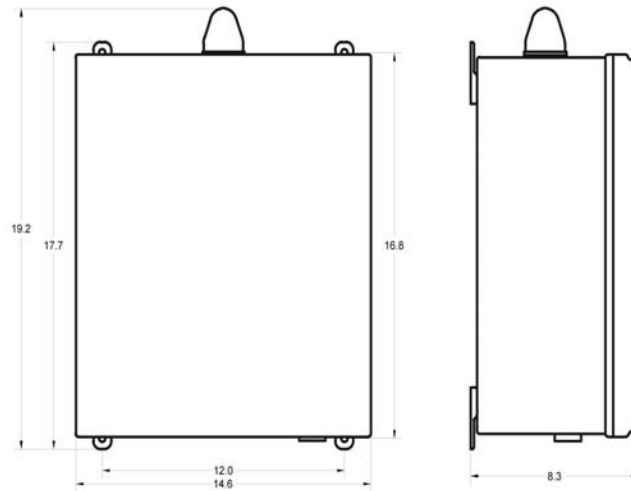


\* For 240V, remove jumper and supply power to terminals 1 and 2, with neutral on 3.

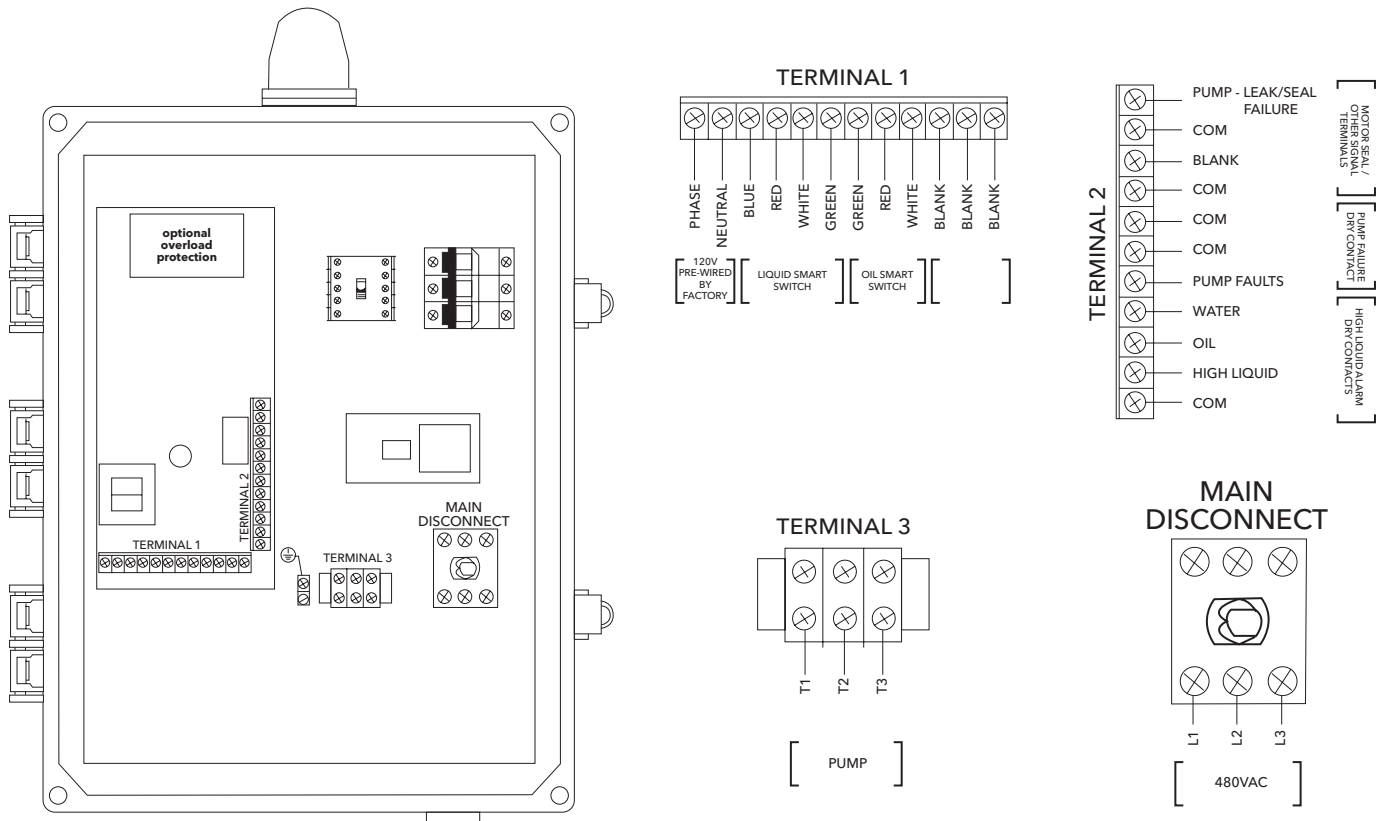
## PANEL LAYOUTS

### SIMPLEX THREE PHASE PANEL – A3SEE1

#### Enclosure Dimensions (in inches)



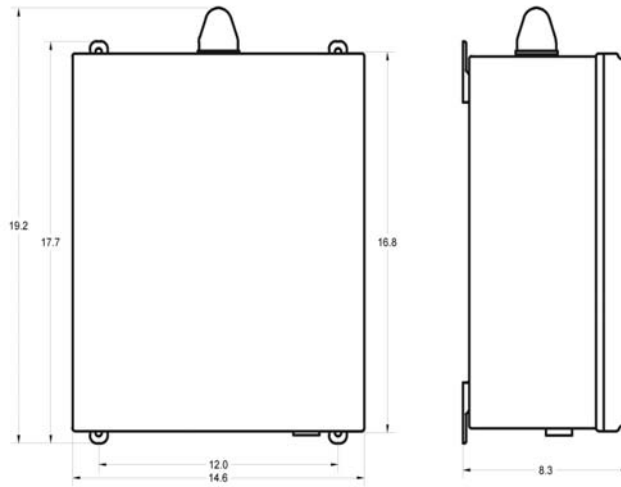
#### Wiring Diagram



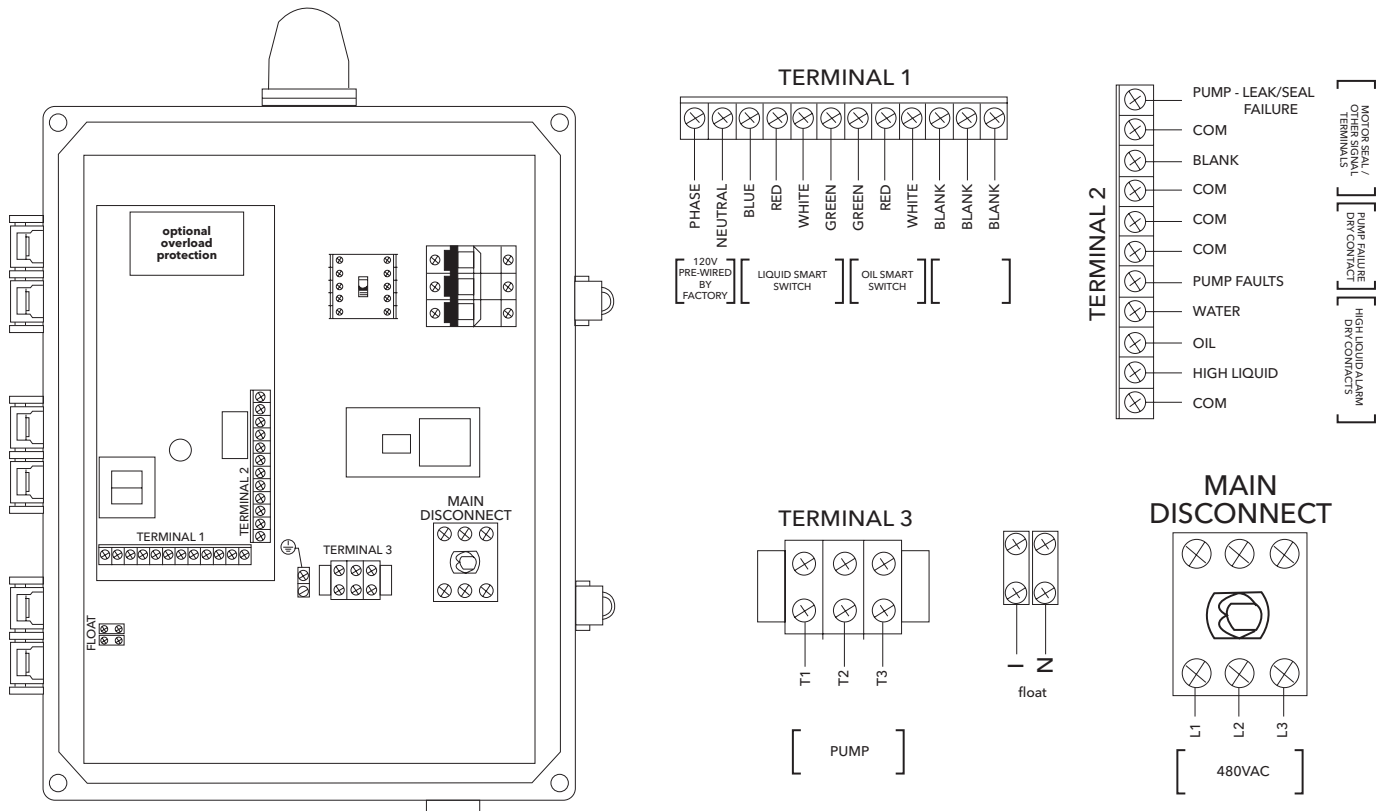
### PANEL LAYOUTS

#### SIMPLEX THREE PHASE OIL REMOVAL PANEL – A3SEE2

##### Enclosure Dimensions (in inches)

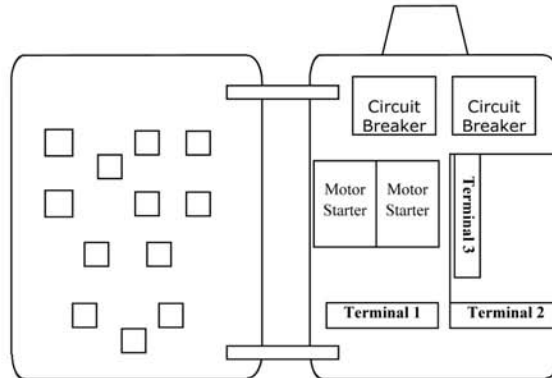


##### Wiring Diagram

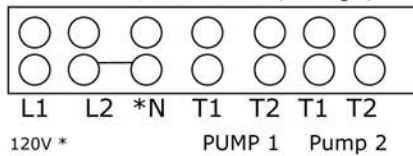




### DUPLEX PANEL – D1SEE20

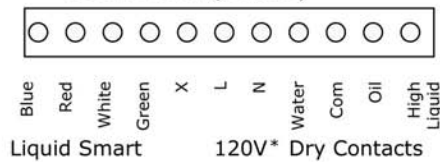


#### Terminal 1 (Pumps)



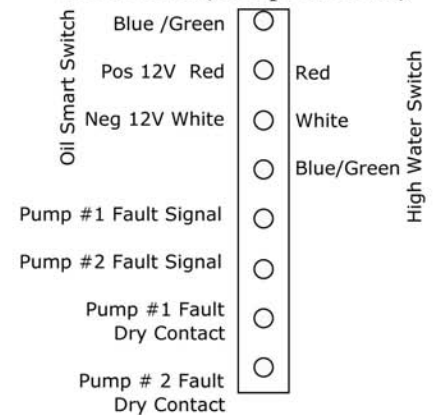
\* For 240V, remove jumper and supply power to terminals L1 and L2 and run neutral on N.

#### Terminal 2 (Alarm)



\* Hook up separate 120V supply or jump from pump terminal 1 and 3 to alarm terminal 6 and 7 for power.

#### Terminal 3 (Pump Controls)



### Technical Specifications:

- Panel Enclosure: Heavy Duty NEMA 4X Polycarbonate, 14" x 12" x 6"
- Components Enclosure: Type 3R High Impact Injected Plastic
- Oil Smart Switch Dimensions: 2.5" W x 6" H x 1.75" D plus 6" sensor
- Liquid Smart/High Water 2 Pump Switch Dimensions: 3.5" H x 1.5" W x 1.5" D

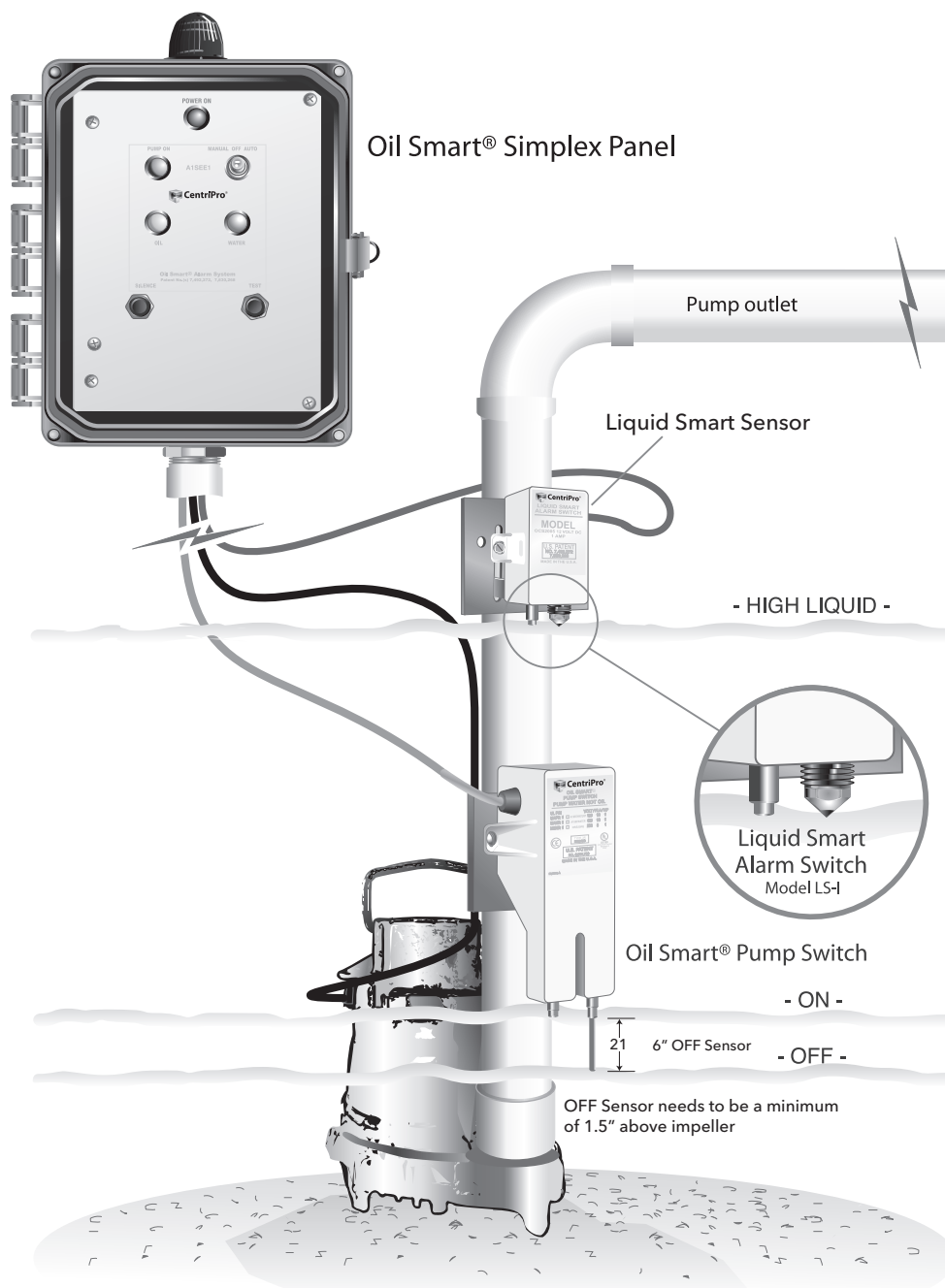
### ELEVATOR PUMP KITS

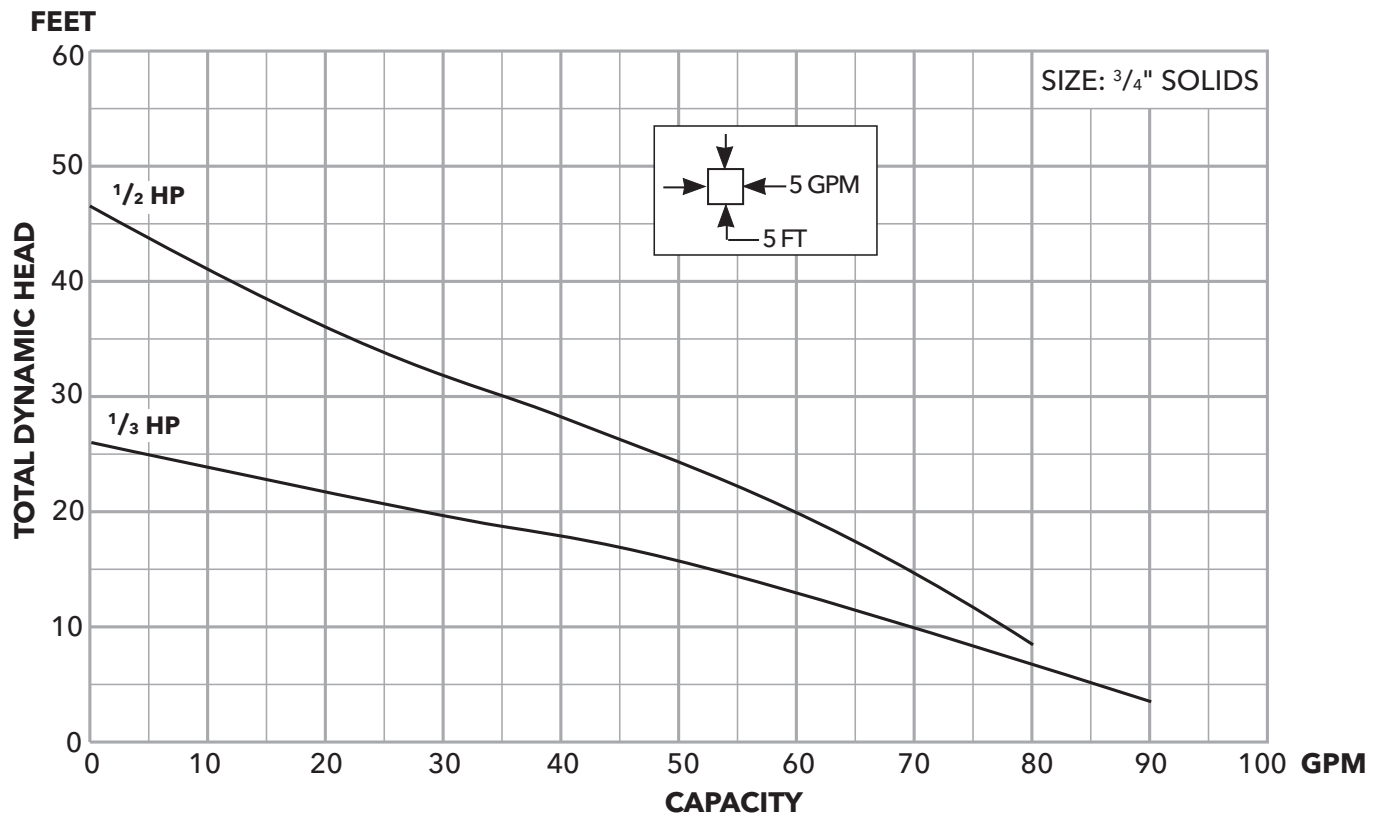
Brand	Model Number	Panel	Oil Smart Switch	Liquid Smart Sensor	Pump
Goulds	ELKTWE0311L	A1SEE1 Included	Included	Included	WE0311L
	ELKTWE0511H				WE0511H
	ELKTWE0512H				WE0512H
B&G	ELKT2EC0311L	Included	Included	Included	2EC0311L
	ELKT2EC0511				2EC0511
	ELKT2EC0512				2EC0512

### FEATURES FOR PUMP

- Effluent, 1/3 or 1/2 HP, single phase pump
- Hard faced seal
- Cast iron construction

### PUMP INSTALLATION KIT





# Xylem |'zīləm|

- 1) The tissue in plants that brings water upward from the roots;
- 2) a leading global water technology company.

We're 12,500 people unified in a common purpose: creating innovative solutions to meet our world's water needs. Developing new technologies that will improve the way water is used, conserved, and re-used in the future is central to our work. We move, treat, analyze, and return water to the environment, and we help people use water efficiently, in their homes, buildings, factories and farms. In more than 150 countries, we have strong, long-standing relationships with customers who know us for our powerful combination of leading product brands and applications expertise, backed by a legacy of innovation.

**For more information on how Xylem can help you, go to [www.xyleminc.com](http://www.xyleminc.com)**



Xylem, Inc.  
2881 East Bayard Street Ext., Suite A  
Seneca Falls, NY 13148  
Phone: (866) 325-4210  
Fax: (888) 322-5877  
[www.xyleminc.com/brands/centripro](http://www.xyleminc.com/brands/centripro)

CentriPro is a trademark of Xylem Inc. or one of its subsidiaries.  
Oil Smart is a registered trademark of See Water Inc.  
© 2012 Xylem, Inc. BCPELSPKT R6 October 2012