

**FEATURES**

NEMA 1 steel enclosure

One or two pressure switch operation

Auxiliary contacts - may be used for chemical feed pumps.

Includes: Two hand-off-auto switches, two pump run lights, alternator circuit and terminal blocks for external wiring connections.

**Single Phase Features:**

Two motor contactors

$\frac{1}{3}$  - 5 HP, 115/230, 230V

**Three Phase Features:**

NEMA rated, class 14 starters

Adjustable overloads - no heaters needed

Phase loss protection - the starter protects against single-phasing

Expanded horsepower range coverage

---

# AWA Alternator Panels

FOR SUBMERSIBLE AND CENTRIFUGAL PUMPS

---



**CentriPro**  
a xylem brand

### SINGLE PHASE

Model No.	HP	Volts
AWA501	1/3 - 3	115/230
AWA502	5	230

### OPTIONS

	Order No. Suffix
NEMA 3R enclosure ①	A
NEMA 4X enclosure ①	B
Condensation heaters	C
Elapsed time meters (2)	D
Cycle counters (2)	E

① Enclosures listed above are dead-front type. All switches and indicator lights would be mounted inside of panel on permanent mounting bracket.

### THREE PHASE

Model No.	Amp Range	Maximum HP	Voltage
AWA22510	2.5 - 10	2	200-230
AWA20918	9 - 18	3	200-230
AWA21327	13 - 27	7.5	200-230
AWA42510	2.5 - 10	5	460/575
AWA40918	9 - 18	10	460/575

### APPLICATIONS

Duplex alternator panel may be used to alternate two submersible or centrifugal pumps.

1. Use one switch for a simple alternating system
2. Use two switches when the system is required to:  
Alternate two pumps and start the second pump in the event the first pump cannot meet the system demand.

Auxiliary contacts allow the operation of one or two chemical feed pumps, such as chlorine or ozone injectors.

### **Custom panels are available for larger motors.**

Please fax requests with required enclosure ratings, HP, voltage, phase and any special requirements to Technical Support at (315) 568-7644.

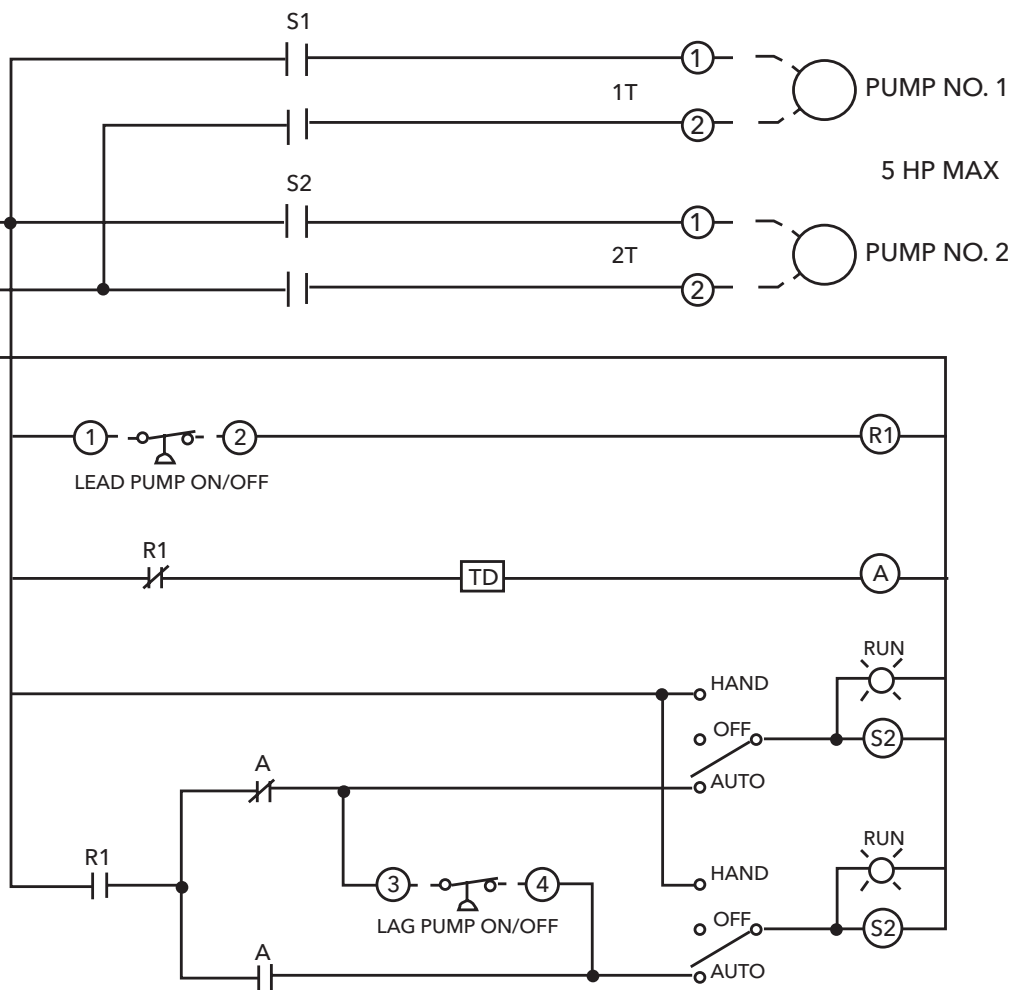
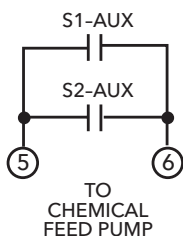
### WIRING DIAGRAMS AWA501 / AWA502

FACTORY WIRING FOR 230 VAC.  
FOR 115 VAC POWER SUPPLY,  
WIRE HOT LEG TO (L1) AND  
NEUTRAL TO (L2), JUMP  
(L2) TO (N).

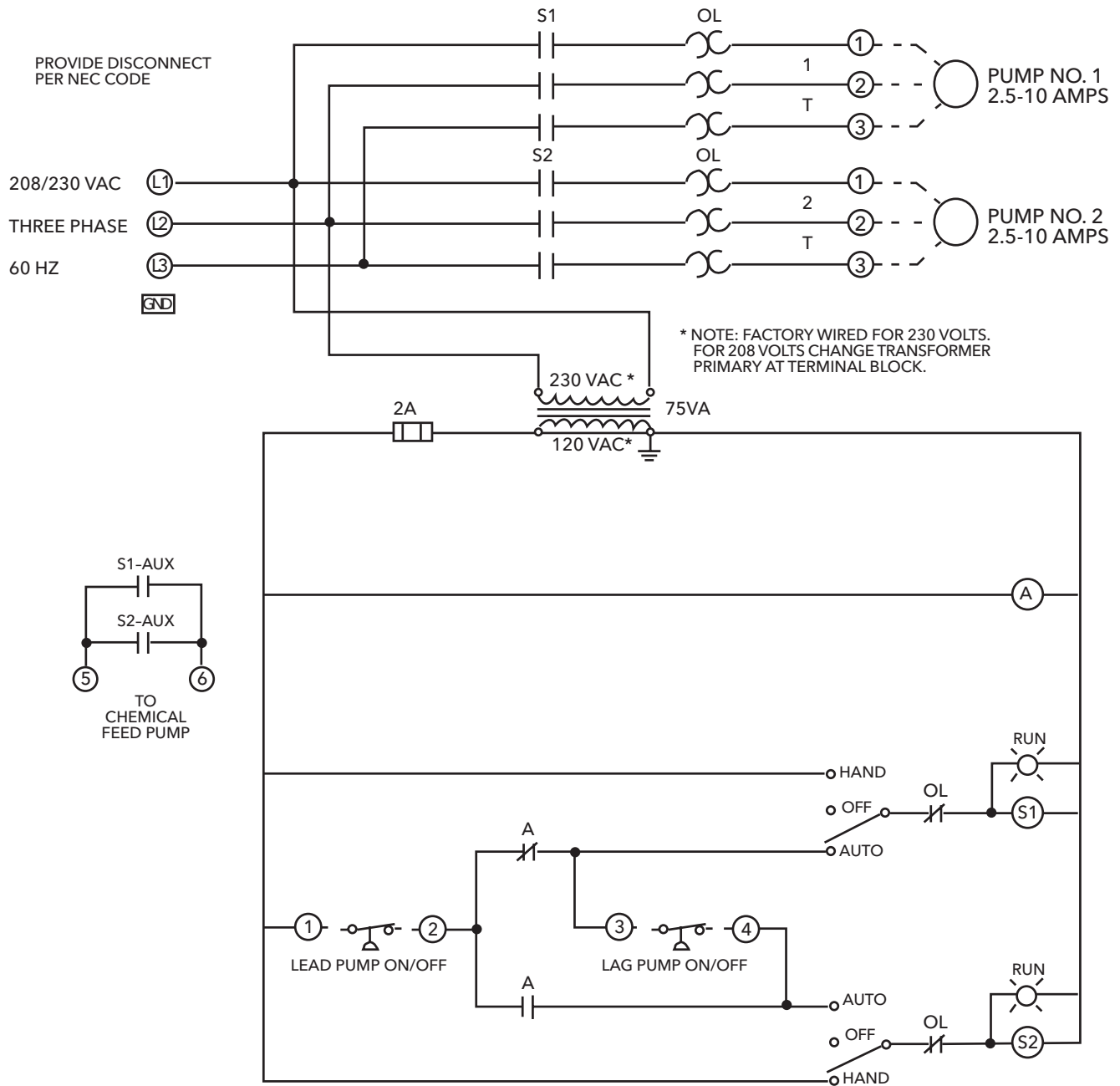
230 VAC  
SINGLE PHASE  
60 HZ



A 230 VOLT SYSTEM  
REQUIRES A 4 WIRE  
POWER SUPPLY LINE  
L1, L2, N AND GND.  
WITHOUT A NEUTRAL THE  
CONTROL CIRCUIT  
WILL NOT WORK.



# WIRING DIAGRAMS AWA 3 Phase



Xylem, Inc.  
2881 East Bayard Street Ext., Suite A  
Seneca Falls, NY 13148  
Phone: (866) 325-4210  
Fax: (888) 322-5877  
[www.xylem.com/brands/centripro](http://www.xylem.com/brands/centripro)

CentriPro is a trademark of Xylem Inc. or one of its subsidiaries.  
© 2012 Xylem Inc. BCPALT R2 October 2012