

**ORDER FEATURES**

NEMA 1, indoor, steel enclosure.

Provides fully automatic operation for two pumps.

Solid state pump alternator circuit with float status lights for ease of installation or troubleshooting.

Alternator selector switch allows a choice of automatic alternation or operation of only pump 1 or pump 2.

Typically used if one pump is down for maintenance.

Pump circuit breakers (2) and control circuit breaker.

Lag pump-start delay built-in.

High level alarm circuit includes through-door mounted silence switch for manual silence of alarm bell.

NEMA 1, alarm horn (88 db @ 10').

Red alarm indicator light.

Auxiliary alarm contacts provided for remote alarm connection.

Two through-door mounted pump run lights.

Numbered terminal strip - screw type.

Entire unit is UL and CUL listed.

A6 DUPLEX WASTEWATER CUSTOM CONTROL PANELS

PROVIDES FULLY AUTOMATIC OPERATION FOR TWO PUMPS. ALTERNATES PUMP STARTING TO DISTRIBUTE OPERATING TIME. PROVIDES EXTRA PUMPING CAPACITY IN TIMES OF HIGH INFLOW BY ENERGIZING BOTH PUMPS.

Wastewater

SINGLE PHASE, 60 HZ

Overload protection must be provided by the pump.

Model No.	Horsepower		Amps	Volts
A6-2012	1/3 - 2		up to 20	208/230
A6-3012N①	3	Panels do not contain capacitors or overloads	20-27	208/230
A6-5012N①	5		27-36	208/230

① Use these panels only with pumps that have built-in capacitors and overloads.

Single Phase Panels Include:

- Magnetic contactors (2)
- Two pump circuit breakers

THREE PHASE, 60 HZ

Model No.	Amp Draw	Volts
A622510	3-12	200/230
A642510	3-12	460/575
A620918	5.5-22	200/230
A640918	5.5-22	460/575
A621327	10-40	200/230

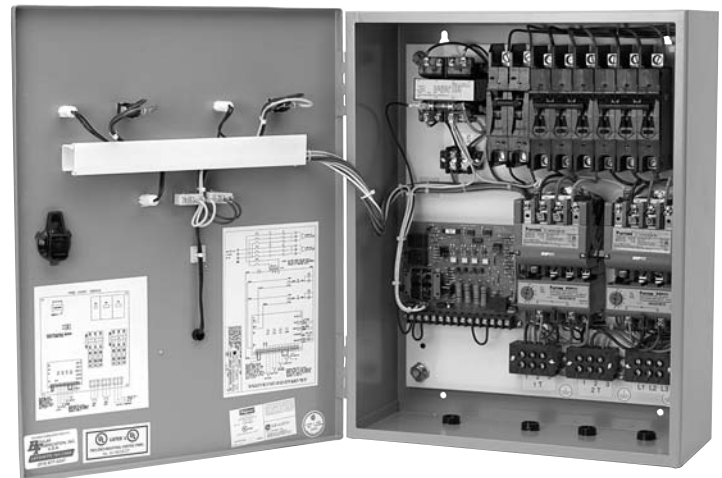
Three Phase Panels Include:

- Class 48, NEMA Rated Starter with ESP200 solid-state, Class 5, 10, 20, 30, adjustable overloads. The ESP200 solid-state, adjustable overload also provides protection against phase-loss or single-phasing, and phase on balance.

Enclosure Options - if options are required please order the panel as A6- ____ SPL followed by the desired options listed in numeric order on your purchase order. If more than three options are needed, please complete and fax us a Panel Quote Request Form along with the engineer's (end user's) written specifications to insure correct panel is ordered. Fax requests to customer service at (888) 322-5877.

SPECIFICATIONS - 1Ø AND 3Ø

- Accepts single or dual power feed.
- Two hand-off-automatic (H-O-A) pump switches.
- On-off control circuit switch.
- Two oversized magnetic contactors.
- Numbered terminal strip-screw type.
- NEMA 1, steel enclosure.
- NEMA 1, alarm horn - 88 db. at 10'.
- Auxiliary alarm contacts.
- Alternator selector switch.
- Lag pump-start delay.



NOTE: Please order float switches separately.

Wastewater

OPTIONAL ENCLOSURES

	Rating	Construction	Order No.
Duplex Enclosures	NEMA 3R	Steel, Hinged Door	6110
	NEMA 4	Steel, Hinged Door	6120
	NEMA 4X	Fiberglass, Hinged Door	6130
	NEMA 12	Steel, Hinged Door	6140

NOTE: Enclosures listed above are dead-front type, all switches and indicator lights would be mounted inside of panel.

NOTE: These dead-front enclosures do not include an alarm device. Please choose the appropriate visual or audible alarm to complete the system from order numbers 6400 through 6480.

DOOR MODIFICATION

	Order No.
1. Through door mounted H-O-A switch and run lights. (Provides access without opening enclosure, standard on NEMA 1 panels.) NEMA 3/3R/4/4X/12	6200
2. Inner door (hinged) on dead-front panel. (Provides access to switches without hazard of entering actual panel.)	6240
3. Locking hasp. (Use for NEMA 1 enclosures, standard on all others.)	6250

ALARM CIRCUITS

	Order No.
1. High or low-level alarm circuit	6300 H 6300 L
2. Guaranteed pump submergence circuit with low level alarm. (Overrides manual and automatic operation of pumps.)	6320
3. Extra set of dry contacts (Used for signal of remote alarm device.)	Call Factory
4. Seal failure circuits with (2) two indicator lights (Monitors moisture sensors on dual seal pumps.) A. Circuits built in A6 panel	6350
B. Circuits in separate NEMA 3R enclosure (Used in conjunction with existing panel.)	A4-4
5. Low voltage, phase loss and reversal circuit (three phase only, stops pumps and closes non-powered contacts.)	6360
6. Battery powered alarm circuit (Sealed gel-cel battery and charger, will operate: Bell - 12 hrs., flashing red light - 1 hr., strobe - 12 hrs.)	Call Factory
7. Seal fail and high temp. control and status circuit for 1GA, 2GA, 15/20GDS or GXS.	6805

POWER EQUIPMENT

	Order No.
1. Main circuit breaker (Installed before pump and pilot.) Single phase, 115/230 V	6600
Three phase, 208/230 V	6610
Three phase, 460/575 V	6620
2. Through door operating mechanism for above circuit breaker (Provides external interlock on door to prevent electrical hazard, rated NEMA 3/3R/4.) Single phase	6630
Three phase	6640

ALARM DEVICES

Can be added to simplex or duplex controllers.

		Order No.
4" bell (88 db @ 10 Ft.)	NEMA 1	6400
4" bell (90 db @ 10 Ft.)	NEMA 3R/4/4X/12	6420
Horn (101 db @ 10 Ft.)	NEMA 3R/4/4X/12	6450
Flashing red light Lexan	NEMA1 3R/4/4X/12	6480
Remote alarm panel (includes: 4" bell silencer switch, and indicator light; rated NEMA 3/3R) A. Alarm requiring separate 115 V power supply (Signaled by dry contacts in main panel. Requires 6340.) B. Alarm to be powered by main panel. (Signaled by powered contacts in main panel. Requires 6330.)		6500 6510
Remote alarm light on separate NEMA1 enclosure (requires 115 V supply)		6515
Provides alarm circuit in duplex panel. Choose alarm device to complete the system.		

ADDITIONAL ACCESSORIES

	Order No.
1. Condensation heater - 115 V	6710
2. Elapsed time meter (2) two. (Mounted inside cabinet, indicates pump run time.)	6740
3. Cycle counter (2) two. (Mounted inside cabinet, indicates number of pump starts.)	6750
4. Intrinsically safe controls. (One required for each float.)	6760
5. Test push buttons (2) two. (Overrides float switches to simulate operation of level controls.) NEMA 1	6770
NEMA 3/3R/4	6780
6. Lightning Arrestor Single phase	6781
Three phase	6782
7. Convenience outlet (115 V GFI) with circuit breaker protection, mounted internally, choose according to power supply (phase) Single phase panels	6783
Three phase panels 15 amp includes 1.5 KVA transformer	6785

WIRING SCHEMATIC WITHOUT OPTIONS

FOR 120 VOLT OPERATION
USE TERMINALS (L1) AND (N)
JUMP TERMINALS (N) AND (L2)

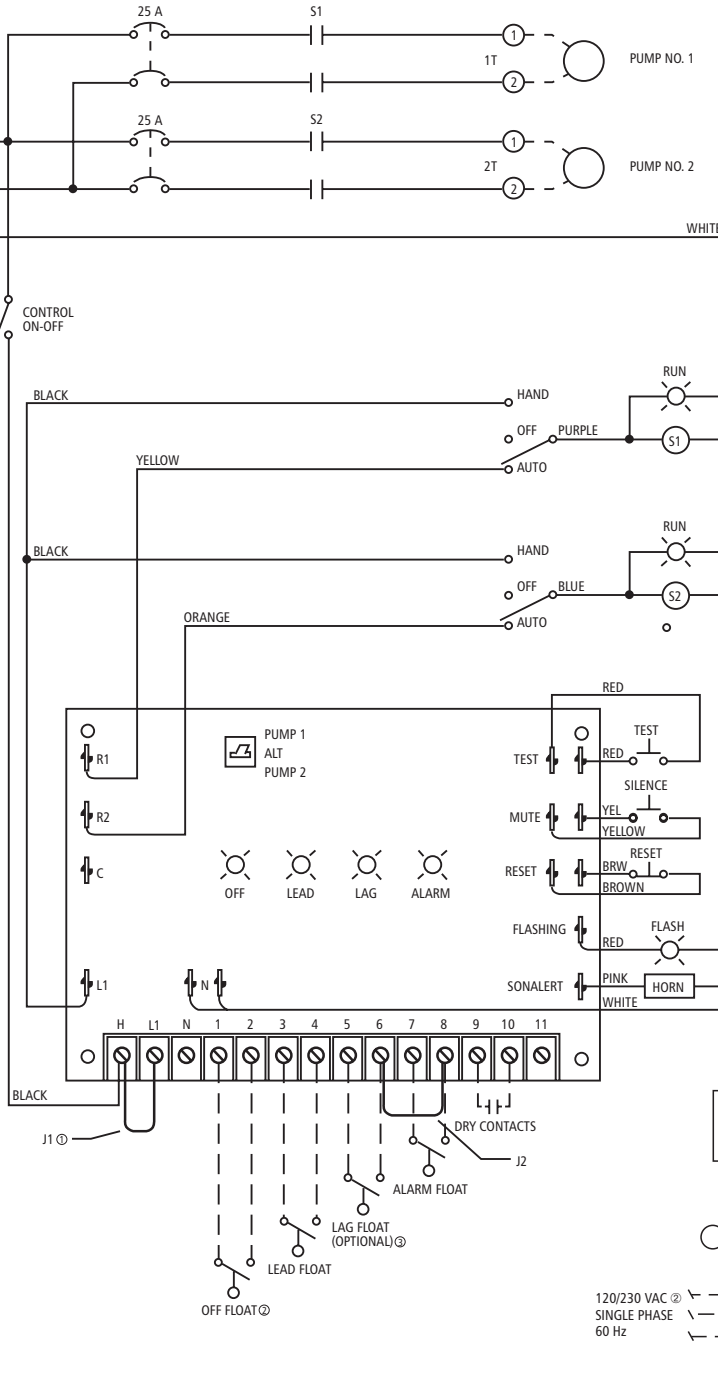
230 VAC
SINGLE PHASE
60 Hz

A 230 VOLT SYSTEM
REQUIRES A 4 WIRE
POWER SUPPLY LINE
L1, L2, N AND GND.
WITHOUT A NEUTRAL
THE CONTROL CIRCUIT
WILL NOT WORK.

① FOR SEPARATE 120 VAC
CONTROL POWER SUPPLY,
REMOVE JUMPER (J1) FROM
TERMINALS (H) AND (L1).
CONNECT 15 AMP MAX.
PROTECTED 120 VAC SUPPLY
TO TERMINALS (L1) AND (N).
WITH THE NEUTRAL OF THE
SUPPLY TO (N).

② FOR USE WITH WIDE ANGLE
FLOAT SWITCH (ONE FLOAT FOR
BOTH ON AND OFF OPERATION).
JUMP TERMINALS (3) AND (4),
INSTALL WIDE ANGLE FLOAT TO
TERMINALS (1) AND (2).

③ FACTORY WIRED FOR (3) FLOAT
OPERATION. FOR (4) FLOAT
OPERATION, REMOVE JUMPER (J2)
FROM TERMINALS (6) AND (8).
INSTALL LAG FLOAT ON
TERMINALS (5) AND (6).



Xylem, Inc.
2881 East Bayard Street Ext., Suite A
Seneca Falls, NY 13148
Phone: (866) 325-4210
Fax: (888) 322-5877
www.xyleminc.com/brands/centripro