

---

# Battery Backup Sump Pump

**INSTALLATION, OPERATION AND PARTS MANUAL**

---

## Table of Contents

---

<b>SUBJECT</b>	<b>PAGE</b>
Safety Instructions .....	2
Basic Tools and Materials Needed .....	2
General Information.....	2
Charger Operation .....	2
Battery Requirements .....	3
Pump Installation and Operation.....	3
Electrical Connections.....	4
Charger/Battery Installation.....	4
Battery Maintenance .....	4
Repair Parts.....	5
Troubleshooting .....	6
Limited Warranty .....	8

---

### Owner's Information

---

Pump Model Number: \_\_\_\_\_

Pump Serial Number: \_\_\_\_\_

Control Model Number: \_\_\_\_\_

Dealer: \_\_\_\_\_

Dealer Phone No. \_\_\_\_\_

Date of Purchase: \_\_\_\_\_ Installation: \_\_\_\_\_

## RULES FOR SAFE INSTALLATION AND OPERATION

Carefully read and follow all safety instructions in this manual or on system.



This is a **SAFETY ALERT SYMBOL**. When you see this symbol on your pump or in this manual, look for one of the following signal words and be alert to the potential for personal injury!



Warns about hazards that **WILL** cause serious personal injury, death or major property damage if ignored.



Warns about hazards that **CAN** cause serious personal injury or major property damage if ignored.



Warns about hazards that **WILL** or **CAN** cause minor personal injury or property damage if ignored.

The word **NOTICE** indicates special instructions which are important but not related to hazards.

- To avoid risk of serious bodily injury and property damage, read safety instruction carefully before installing pump.
- Follow local and/or national plumbing and electrical codes when installing pump. A ground fault circuit interruptor (GFCI) is recommended for use on any electrical appliance submerged in water.
- Use this pump only for backup sump pump duty in a residential application. It is not designed as a primary sump pump.



**Hazardous Voltage. Can cause severe or fatal electrical shock.**

- Do not plug in or unplug battery charger while standing on a wet floor or in water. Be sure one hand is free when plugging in or unplugging charger. If basement floor is wet, disconnect power to basement before walking on floor.
- Do not lift pump by electrical cord.
- Pump water only with this pump.
- Pump is permanently lubricated at the factory. Do not try to lubricate it!
- Keep battery charger and battery box in a dry, cool, well ventilated area.
- To avoid danger of fire or explosion, keep sparks and flame away from battery.



**Battery acid is corrosive.**

- Do not spill on skin, clothing or battery charger. Wear eye protection when working on battery.
- Maximum vertical pumping distance is 15 feet (4.6 M).
- Make sure pump is clear of debris.

## BASIC TOOLS AND MATERIALS NEEDED

Pipe wrenches, screwdriver, hacksaw, adjustable wrench, Teflon tape, knife, 12-volt battery, PVC cement, primary pump check valve (if not installed)

## GENERAL INFORMATION

The battery back-up sump system is not a substitute for your primary sump pump. It is designed as a backup pump to pinch-hit for your primary sump pump during a power outage or other problem which prevents normal operation. Do not use it to pump flammable liquids or chemicals.

Keep battery charger dry and protected from damage. In an emergency (such as an extended power outage) which depletes the system battery, your automobile battery may be temporarily substituted. Be sure to replace the system battery as soon as possible.

## CHARGER OPERATION

Backup pump will start automatically when sump water level rises far enough to trip float switch. After a delay of about 4 seconds, alarm will sound. Silence alarm by pushing **ALARM TEST/RESET** button. In normal (switch actuated) operation, alarm is locked out until about 4 seconds after float switch has dropped to OFF position, cycle can then begin again.

Test alarm by pushing **ALARM TEST/RESET** button when alarm is not sounding. Alarm will then sound as long as button is held down.

If alarm sounds, check operation of primary pump, which may need service. If battery backup operation is due to a power outage, alarm will sound, but no service is likely to be required to primary pump.

Battery charger has capacity to run pump and charge battery at the same time as long as power to the charger is not interrupted. If power to charger circuit is interrupted, the length of time that the backup pump will run depends on the ampere-hour capacity of the battery used.

Extended periods of operation (for example, during an extended power outage) may exhaust the battery. However, once the load is removed, usually it will self-regenerate far enough to allow the charger to start. The battery charger will begin charging the battery as long as the battery has a charge of at least 1/2 volt.

After power is restored, charger will automatically re-charge battery fully in about six hours.

**NOTICE:** If battery has not reached a satisfactory voltage after 24 hours of charging, alarm will sound. In this case alarm cannot be reset. Possible causes are:

PROBLEM	ACTION
Back-up pump has run	Push 'Reset'. Check main pump
Power out more than 24 hours	Disconnect charger from battery. Call power company.
Continuous charging more than 24 hours	Disconnect charger from battery. Check for defective battery.
Loose connection or no power to charger	Disconnect charger from battery. Check plug, receptacle, power at main breaker.

After restoring power or replacing battery, alarm can be reset.

## BATTERY REQUIREMENTS

**⚠ WARNING** Hazardous electrical current.

Can cause severe burns and start a fire if battery terminals are short circuited. Install battery in box. To prevent accidental shorting across battery terminals, strap cover securely on battery box. Do not leave battery uncovered. Do not allow children to play around sump pump installation.

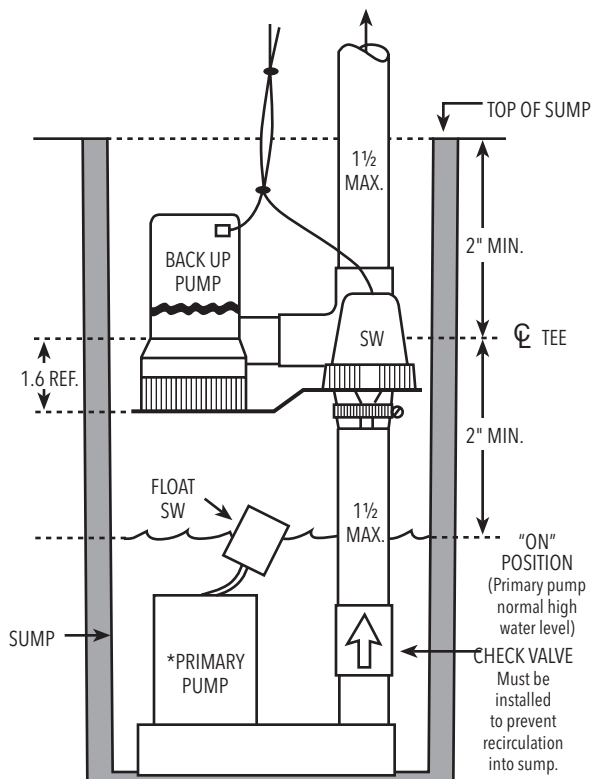
Your backup sump pump depends on the battery used with it for power. The better the battery, the better the performance of the pump.

**We recommend the use of a 105 Amp Deep Cycle Marine Battery.**

This battery will perform well for many hours and stands up well to long periods of little or no use.

**⚠ CAUTION** Use of a standard automobile or marine battery with this charger is not recommended. An automobile battery may require charging after only 1-2 hours of continuous use, and the repeated charging cycles may cause early plate failure in the battery.

Use only a new, fully charged battery that will fit in the battery box (maximum size 12<sup>5</sup>/<sub>8</sub>" long, 7" wide and 9<sup>3</sup>/<sub>8</sub>" high (320.7 mm x 177.8 mm x 238 mm) including terminals).

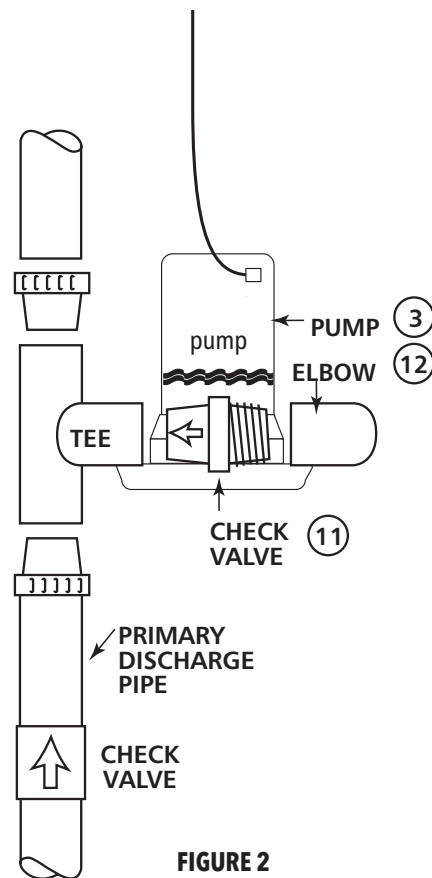


**FIGURE 1**  
Standard Installation

## PUMP INSTALLATION AND OPERATION

**NOTICE:** We recommend a trial fitting of all components before gluing anything. This will allow you to check pump mounting height, float switch clearance, etc., while adjustments can still be easily made.

1. Fill sump until primary pump turns on. Mark this level as "Normal High Water".
2. When installing the pump, mount the centerline of the tee inlet at least 2 inches above the normal high water level.
3. Check that the location of the tee is at least 2 inches below the top of the sump.
4. Make sure the installation will not interfere with the primary sump pump operation as follows:
  - (A) Back up pump must not interfere with primary pump float switch swing.
  - (B) Normal high water level must not be high enough to start the back-up pump.
  - (C) Install a check valve in the main sump pump discharge pipe below the back-up pump tee. Flow in this pipe must be away from the primary pump. **DO NOT INSTALL IT BACKWARDS!** This valve will prevent flow from the back-up pump back to the sump during battery powered operation.
5. Cut rigid discharge pipe from primary sump pump to length, use PVC piping. Tee supplied is 1<sup>1</sup>/<sub>2</sub>" slip fit; if necessary use 1<sup>1</sup>/<sub>4</sub>" bushings supplied. Do not glue the tee until all parts have been trial fitted and aligned.



**FIGURE 2**  
Assembly Details

6. Thread check valve tightly into the elbow provided and plug the pump discharge into the other end of the elbow. Secure with hose clamp. Slip the plain end of the check valve into the side socket of the tee.
7. Install the float switch on the stainless steel bracket provided and attach the bracket as shown. Adjust bracket to support pump/switch assembly to approximately level position.
8. Check for clearance to all working parts of the primary and back-up pump systems.
9. Remove pump assembly from tee. Remove tee from pump.
10. Using PVC cement, permanently install the tee on the discharge pipe, according to the PVC cement instructions.

**⚠ WARNING** **Hazardous Fumes.** Follow cement manufacturer's instructions. Use PVC cement only in a well ventilated area away from fire or flame.

11. Reinstall switch/bracket assembly.
12. Using PVC cement, permanently install the pump assembly by cementing the check valve in the tee side socket, with the pump base approximately level.
13. Adjust the switch/bracket assembly to support the pump. Tighten the clamp.
14. **Make sure battery is fully charged:** then check operation by disconnecting power to the primary sump pump and filling sump until the battery operated pump starts. Run pump through one complete cycle.
15. Operation may be checked at any time by rotating the float switch knob or ribbed wheel (4) pivots to turn on the pump.

**⚠ CAUTION** The liquid sound you hear in the float portion of the switch is mercury, not water, and should be disposed of properly. If you cannot arrange for proper disposal, the product may be returned for disposal to place of purchase.

### ELECTRICAL CONNECTIONS

**⚠ WARNING** Hazardous Voltage. Can cause serious or fatal electrical shock. Review safety instructions before operating charger.

Do not modify cord or plug.

### CHARGER/BATTERY INSTALLATION

**NOTICE:** Alarm will sound when charger is first connected to battery. Press ALARM TEST/RESET button on charger. If alarm continues to sound, disconnect one charger lead from the battery and reconnect it. Press ALARM TEST/RESET again; alarm will stop sounding.

1. Connect charger as shown in Figure 3.
  - A. Connect Positive (+) lead from charger to positive battery terminal.
  - B. Connect (-) lead from charger to negative battery terminal.
  - C. Connect the third (blue) lead from the charger to the blue tap on the brown pump wire just before the fuse holder.
  - D. Put the 15 Amp fuse into ½ of the fuse holder and connect the second half of the fuse holder.

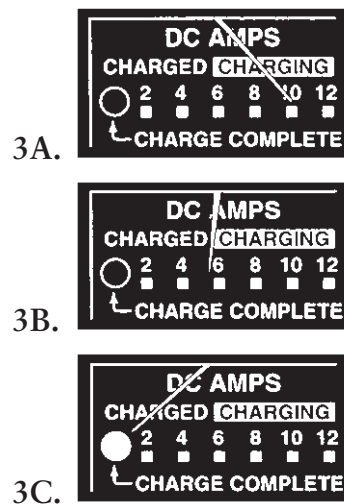
- E. Connect the black pump wire to the Negative battery terminal.
  - F. Connect the gray switch wire marked + to the Positive battery terminal.
2. Plug in power cord to a 115-125 Volt AC outlet delivering at least 2 amps. Do not use a switch controlled outlet. Mark circuit in main power panel "Backup sump pump power supply; do not turn off".
  3. With charger properly connected and plugged in, the panel on the front of the charger will appear as in one of the following:
    - A. If battery is dead, charger will supply about 10 amps power (see Figure 3A).
    - B. If battery is near full charge, charger will deliver about 5 amps power (see figure 3B).
    - C. If battery is fully charged, charging current will be 0 amps and green LED lamp will be lighted (see figure 3C).
  4. The charger is equipped with a self-resetting circuit breaker which protects it from temporary overloads. In case of an overload, the circuit breaker will open. It automatically resets after a short cool-down period. In some conditions where the overload is extended the breaker will cycle, repeating the open/reset process indefinitely. When this happens, normally the charger will emit a clicking sound as the breaker opens and resets.

**NOTICE:** If the clicking sound continues for more than 30 minutes or so, check for reversed charger connections to the battery and for shorted cells in the battery.

### BATTERY MAINTENANCE

**NOTICE:** To protect battery case from chipping and gouging, do not let battery sit on concrete floor (plywood, 2x4's, etc.). Always install battery in a dry location that is protected from flooding.

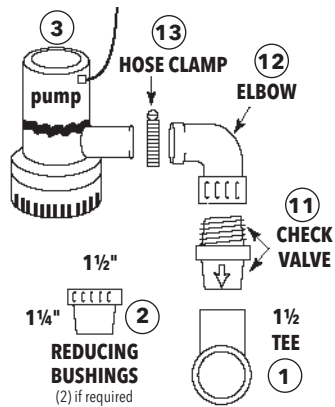
1. Unplug battery charger.
2. On batteries with removable top caps, measure specific gravity of electrolyte. Use a hydrometer (available at auto parts stores). If the specific gravity of any cell is less than 1.225 or if there is more than .050 variation between cells, replace the battery.
3. Check electrolyte level and refill as needed.
4. Check battery terminals and clamps for tightness and corrosion. Clean and tighten as needed.
5. Plug in battery charger.



**FIGURE 3 – Battery Backup Control Panel**

- A. Battery depleted – charging current 10 Amps.
- B. Battery nearly charged – current about 5 Amps.
- C. Charge complete – current 0 amps, LED lights up.

# REPAIR PARTS



Item Number	Part Description	Material	Quantity Required	Repair Part SPBB	Repair Part SPBB2
1	Tee, 1 1/2" Socket	Thermoplastic	1	6K146	
2	Reducing Bushing, 1 1/2" x 1 1/4"	Thermoplastic	2	4K499	
3	Pump - 2000GPH or 3700GPH	Varies	1	9K318	9K499
4	Float Switch Assembly	-	1	9K319	
5	Fuse Holder	-	1	9K320	
6	Fuse - 15 Amps/25 Amps	-	1	9K321	9K565
7	Wire Terminals	-	1	9K322	
			1	9K323	
			2	9K324	
			3	9K325	
8	Terminals - Top Post Battery	-	2	9K326	
9	Battery Case	Thermoplastic	1	9K327	
10	Charger Assembly	-	1	9K328	
11	Check Valve - 1" MPT	Thermoplastic	1	6K147	6K174
12	Elbow - 1" FPT	Thermoplastic	1	6K148	6K175
13	Hose Clamp	-	1	4K497	
14	Pump / Switch Bracket	-	1	9K329	
15	Hose Clamp	-	1	4K498	

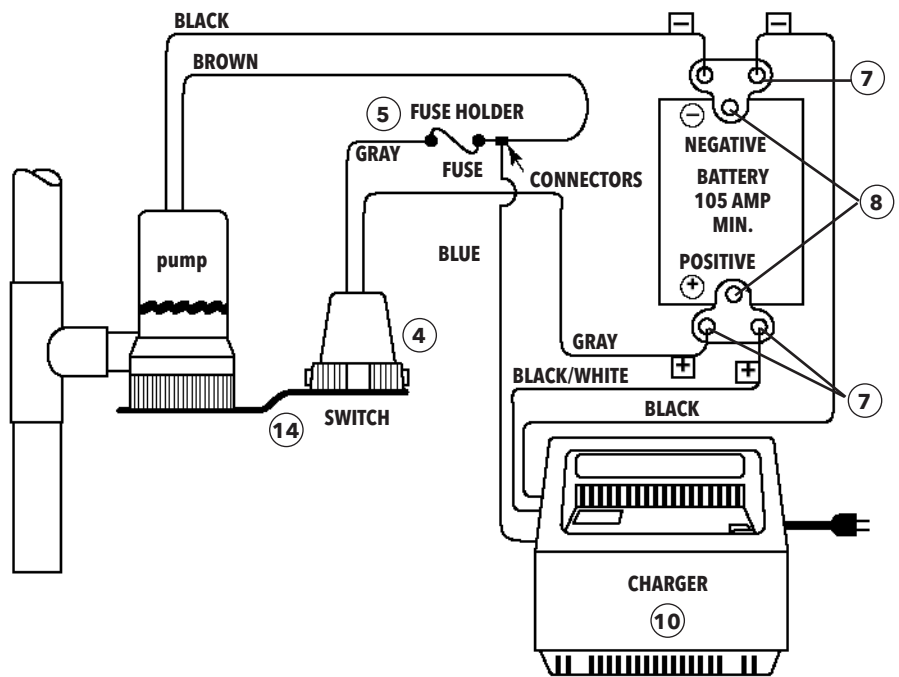
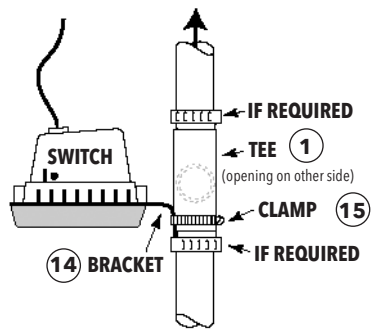
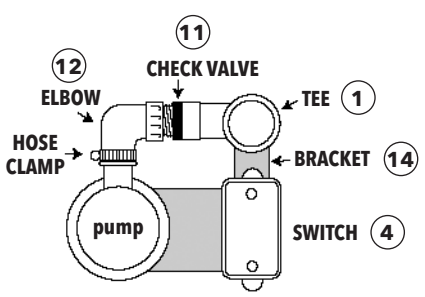


FIGURE 4



## TROUBLESHOOTING

### *Pump won't run:*

1. Check all connections.
2. Check for low or defective battery.
3. Check that automatic switch is operating properly.
4. Blown fuse in switch circuit. Unplug pump and re move the strainer. Check to see if impeller is free to turn. If impeller is locked remove the obstruction. Replace strainer and fuse.

### *Motor hums but pump won't run:*

1. Check for low or defective battery.

### *Pump runs but pumps very little or no water:*

1. Make sure a check valve is installed and functioning between primary pump discharge and backup sump pump tee.
2. Check for obstruction in discharge pipe.
3. Discharge pipe length and/or height exceeds capacity of pump. See Table 1 for pump capacity.
4. Check for low or defective battery.
5. Drill a  $\frac{1}{16}$  to  $\frac{1}{8}$  inch diameter vent hole between pump discharge and check valve.

### *Pump cycles too frequently:*

1. Main check valve located between discharge of primary pump and the backup sump pump tee or check valve not installed or working properly. Install or repair as required.

## NOTE:

**“Deep Cycle Marine” batteries are different than marine and automotive batteries!**

### GOULDS WATER TECHNOLOGY LIMITED WARRANTY

This warranty applies to all water systems pumps manufactured by Goulds Water Technology.

Any part or parts found to be defective within the warranty period shall be replaced at no charge to the dealer during the warranty period. The warranty period shall exist for a period of twelve (12) months from date of installation or eighteen (18) months from date of manufacture, whichever period is shorter.

A dealer who believes that a warranty claim exists must contact the authorized Goulds Water Technology distributor from whom the pump was purchased and furnish complete details regarding the claim. The distributor is authorized to adjust any warranty claims utilizing the Goulds Water Technology Customer Service Department.

**The warranty excludes:**

- (a) Labor, transportation and related costs incurred by the dealer;
- (b) Reinstallation costs of repaired equipment;
- (c) Reinstallation costs of replacement equipment;
- (d) Consequential damages of any kind; and,
- (e) Reimbursement for loss caused by interruption of service.

**For purposes of this warranty, the following terms have these definitions:**

- (1) "Distributor" means any individual, partnership, corporation, association, or other legal relationship that stands between Goulds Water Technology and the dealer in purchases, consignments or contracts for sale of the subject pumps.
- (2) "Dealer" means any individual, partnership, corporation, association, or other legal relationship which engages in the business of selling or leasing pumps to customers.
- (3) "Customer" means any entity who buys or leases the subject pumps from a dealer. The "customer" may mean an individual, partnership, corporation, limited liability company, association or other legal entity which may engage in any type of business.

**THIS WARRANTY EXTENDS TO THE DEALER ONLY.**



Xylem, Inc.  
2881 East Bayard Street Ext., Suite A  
Seneca Falls, NY 13148  
Phone: (866) 325-4210  
Fax: (888) 322-5877  
[www.xylem.com/brands/gouldswatertechnology](http://www.xylem.com/brands/gouldswatertechnology)

Goulds is a registered trademark of Goulds Pumps, Inc. and is used under license.  
© 2012 Xylem Inc. IM175 Revision Number 3 July 2012



---

# Bomba de sumidero de reserva a batería

**MANUAL DE INSTALACIÓN, OPERACIÓN Y PARTES**

---

TEMA	PÁGINA
Instrucciones de seguridad.....	11
Herramientas y materiales básicos necesarios.....	11
Información general .....	11
Funcionamiento del cargador .....	11
Requisitos para la batería.....	12
Instalación y funcionamiento de la bomba.....	12
Conexiones eléctricas .....	13
Instalación de cargador/batería .....	13
Mantenimiento de la batería.....	14
Localización de fallas.....	14
Partes de reparación .....	15
Garantía limitada.....	16

**Información para el propietario**

Número de modelo de la bomba: \_\_\_\_\_

Número de serie de la bomba: \_\_\_\_\_

Número de modelo de control: \_\_\_\_\_

Representante: \_\_\_\_\_

Número telefónico del representante: \_\_\_\_\_

Fecha de compra: \_\_\_\_\_ Instalación: \_\_\_\_\_

## NORMAS PARA UNA INSTALACIÓN Y OPERACIÓN SEGURAS

Lea y siga atentamente todas las instrucciones de seguridad de este manual o del sistema.



Éste es un símbolo de alerta de seguridad. Cuando vea este símbolo sobre la bomba o en este manual, localice una de las siguientes palabras y esté alerta ante posibles lesiones personales.

### **PELIGRO**

Advierte sobre los peligros que, si se ignoran, **PROVOCARÁN** lesiones graves, muerte o daños significativos a la propiedad.

### **ADVERTENCIA**

Advierte sobre los peligros que, si se ignoran, **PUEDEN PROVOCAR** lesiones graves o daños significativos a la propiedad.

### **PRECAUCIÓN**

Advierte sobre los peligros que, si se ignoran, **PROVOCARÁN** o **PUEDEN PROVOCAR** lesiones menores o daños a la propiedad.

La palabra AVISO indica que existen instrucciones especiales e importantes pero que no están relacionadas con el peligro.

1. Para evitar lesiones físicas de gravedad y daños a la propiedad, lea atentamente las instrucciones de seguridad antes de instalar la bomba.
2. Cuando instale una bomba, ajústese a las normas locales y/o nacionales relacionadas con la plomería y la electricidad. Se recomienda el uso de un interruptor de circuito con cable a tierra (del inglés, GFCI) para todos los aparatos eléctricos sumergibles.
3. Utilice esta bomba de sumidero sólo de reserva para aplicarla en residencias. No está diseñada para su uso como bomba de sumidero principal.

### **ADVERTENCIA**

**Voltaje peligroso. Puede provocar una descarga eléctrica importante o fatal.**

4. No conecte o desconecte un cargador de batería cuando se encuentre parado sobre un piso húmedo o sobre agua. Asegúrese de que una de sus manos esté libre cuando conecte o desconecte el cargador. Si el piso del sótano está mojado, desconecte la energía eléctrica que se dirige al sótano antes de caminar por esa superficie.
5. No levante la bomba con un cable eléctrico.
6. Bombee agua sólo con esta bomba.
7. La bomba se encuentra lubricada de fábrica. No intente lubricarla.
8. Mantenga el cargador de la batería y su gabinete en un lugar seco, fresco y bien ventilado.
9. Para evitar el peligro de incendio o explosión, mantenga las chispas y llamas lejos de la batería.

### **ADVERTENCIA**

**El ácido de la batería es corrosivo.**

10. No derrame el ácido sobre la piel, ropa o sobre el cargador de la batería. Utilice un protector para sus ojos cuando trabaje con la batería.
11. La distancia máxima de bombeo vertical es de 15 pies (4,6 m.).
12. Asegúrese que la bomba esté libre de suciedad.

## HERRAMIENTAS Y MATERIALES BÁSICOS NECESARIOS

Llaves para tubos, destornillador, sierra para metales, llave inglesa ajustable, cinta Teflón, cuchillo, batería de 12 voltios, cemento PVC, válvula de retención de la bomba principal (si no está instalada).

## INFORMACIÓN GENERAL

El sistema de sumidero de reserva a batería no reemplaza a la bomba de sumidero principal. Está diseñada como una bomba de reserva para sustituir a la bomba principal en caso de emergencia durante un corte de energía o en otros casos que impiden su funcionamiento normal. No la utilice para bombear líquidos o productos químicos inflamables.

Mantenga seco el cargador de batería y protéjalo de daños. Si se agota la batería del sistema (por ejemplo, durante un corte de energía prolongado), podrá utilizar, en caso de emergencia, la batería de su auto provisoriamente para sustituirla. Asegúrese de reemplazar el sistema de batería lo antes posible.

## FUNCIONAMIENTO DEL CARGADOR

La bomba de reserva comenzará a funcionar automáticamente cuando el nivel de agua del sumidero se eleve lo suficiente como para disparar el interruptor de flotador. Luego de un retraso de alrededor de 4 segundos, sonará una alarma. Apague la alarma presionando el botón ALARM TEST/RESET (PRUEBA DE ALARMA/REINICIO). Si la operación es normal (cuando actúa el interruptor), la alarma permanecerá bloqueada hasta 4 segundos luego de que el interruptor del flotador haya descendido hasta la posición OFF. Posteriormente, el ciclo comenzará de nuevo.

Cuando no suene la alarma, puede controlarla presionando el botón ALARM TEST/RESET. En ese caso, la alarma sonará mientras el botón permanezca hacia abajo.

Si suena la alarma, controle el funcionamiento de la bomba principal, ya que es posible que necesite servicio. Si la operación de reserva de batería se debe a una descarga eléctrica, la alarma sonará. No obstante, es posible que la bomba principal no requiera de servicio.

El cargador de la batería puede mantener la bomba en funcionamiento y cargar la batería al mismo tiempo mientras no se interrumpa la energía que se dirige al cargador. Si se interrumpe el paso de energía al cargador, el tiempo de operación de la bomba de reserva dependerá de la capacidad de amperes por hora de la batería utilizada.

Los períodos de operación prolongados (por ejemplo, durante un corte de energía prolongado) pueden agotar la batería. No obstante, una vez que la carga se agote, generalmente se recargará por sí sola y durará el tiempo suficiente para que el cargador arranque. El cargador de la batería comenzará a recargar la batería nuevamente siempre que ésta cuente con una carga de por lo menos 1/2 voltios.

Cuando retorne la energía, el cargador automáticamente recargará la batería en forma completa en alrededor de dos horas.

**AVISO:** Si la batería no ha alcanzado un voltaje satisfactorio luego de 24 horas de carga, sonará la alarma. En este caso la alarma no podrá reiniciarse. Las posibles causas de este problema son:

PROBLEMA	ACCIÓN
Opera la bomba de reserva	Push 'Reset'. Check main pump
Corte de energía de más de 24 hs	Desconecte el cargador de la batería. Comuníquese con la empresa de energía.
Carga continua por más de 24 hs.	Desconecte el cargador de la batería. Controle si la batería presenta un desperfecto.
Conexión floja o cargador sin energía	Desconecte el cargador de la batería. Controle el enchufe, receptáculo y energía en el interruptor principal.

La alarma puede reiniciarse cuando se restaura la energía o se cambia la batería.

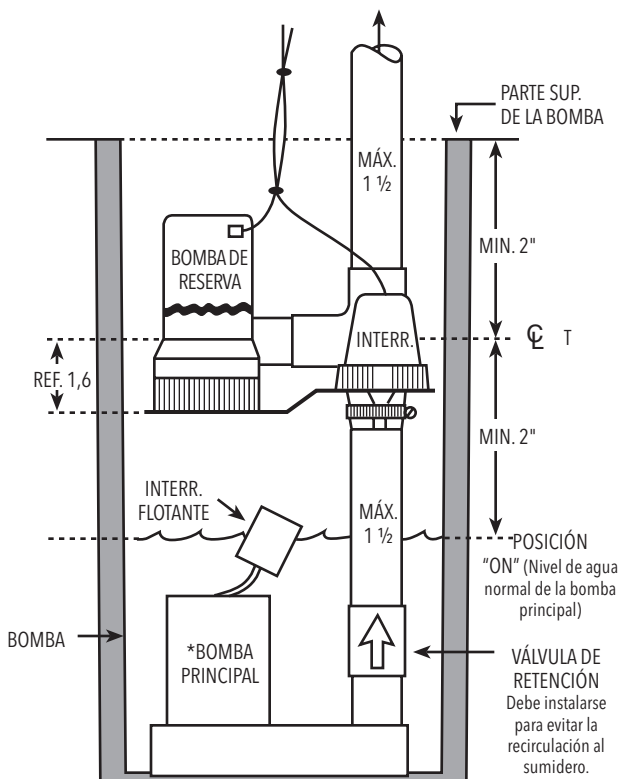
### REQUISITOS PARA LA BATERÍA

**ADVERTENCIA** Corriente eléctrica peligrosa.

Si las terminales de la batería se encuentran en cortocircuito pueden provocar quemaduras de gravedad e iniciar un incendio. Instale la batería en el gabinete. Para evitar un cortocircuito accidental en las terminales de la batería, sujete la tapa firmemente sobre el gabinete de la batería. No deje la batería descubierta. No permita que los niños jueguen cerca del sector donde se encuentra la bomba de sumidero.

La bomba de sumidero de reserva depende de la energía de la batería utilizada. Cuanto mejor sea la condición de la batería, mejor será el rendimiento de la bomba.

Recomendamos el uso de una Batería Marina de ciclo profundo de 105 amperes.



**FIGURA 1**  
Instalación estándar

Esta batería funciona durante muchas horas y se mantiene en buenas condiciones durante largos períodos de poco uso o uso nulo.

**PRECAUCIÓN**

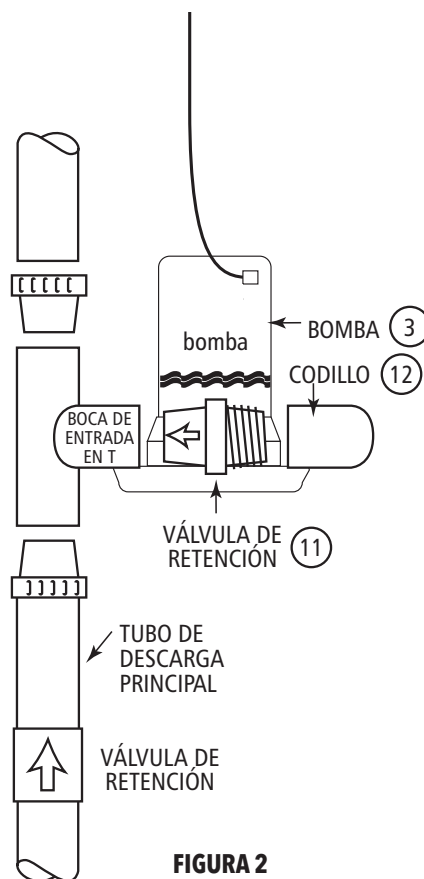
No se recomienda el uso de una batería estándar marina o de automóvil. Una batería de automóvil puede requerir una recarga luego de sólo 1 o 2 horas de uso continuo, y los ciclos reiterados de recarga pueden provocar una falla temprana en la placa de la batería.

Utilice sólo una batería nueva con carga completa del tamaño correcto para su gabinete (tamaño máximo de 12 5/8" de largo, 7" de ancho y 9 3/8" de altura (320,7 mm x 177,8 mm x 238 mm) incluidas las terminales).

### INSTALACIÓN Y FUNCIONAMIENTO DE LA BOMBA

**AVISO** Recomendamos una prueba de ajuste de todos los componentes antes de fijar cualquiera de ellos. Esto le permitirá controlar la distancia de la altura de montaje del interruptor flotante de la bomba, etc., mientras aún se pueden realizar ajustes fácilmente

1. Cargue el sumidero hasta que arranque la bomba principal. Marque este nivel como la "altura normal de agua".
2. Cuando instale la bomba, monte la línea central de la boca de entrada en T por lo menos a 2 pulgadas por encima del nivel normal de agua.
3. Verifique que la ubicación de la entrada en T se encuentre por lo menos a 2 pulgadas por debajo de la parte superior del sumidero.



**FIGURA 2**  
Detalles de montaje

4. Asegúrese de que la instalación no interfiera con el funcionamiento de la bomba de sumidero principal mediante los siguientes pasos:

- (A) La bomba de reserva no debe interferir con la oscilación del interruptor flotante de la bomba principal.
- (B) El nivel normal de agua no debe ser tan alto como para iniciar el funcionamiento de la bomba de reserva.
- (C) Instale una válvula de retención en el tubo de descarga de la bomba de sumidero debajo de la entrada en T de la bomba de reserva. El flujo en este tubo debe estar lejos de la bomba principal. ¡NO LA INSTALE EN FORMA INVERSA! Esta válvula evitará que el flujo de la bomba de reserva vuelva al del sumidero durante la operación de recarga de la batería.

- 5. Corte a lo largo el tubo rígido de descarga de la bomba de sumidero principal. Utilice tubos de PVC. La boca de entrada en T suministrada es de 1½ pulgada con ajuste deslizante. Si es necesario utilice las boquillas de (1)¼" que se suministran. No pegue la entrada en T hasta que se haya probado el ajuste y alineación de todas las partes.
- 6. Enrosque la válvula de retención bien ajustada dentro del codillo que se suministra y conecte la descarga de la bomba dentro del otro extremo del mismo. Asegure con abrazadera de manguera. Deslice el extremo plano de la válvula de retención dentro del enchufe lateral de la entrada en T.
- 7. Instale el interruptor flotante sobre el soporte de acero inoxidable que se suministra y sujete el soporte como se muestra más abajo: Ajuste el soporte para sostener el montaje de bomba/interruptor aproximadamente a nivel de posición.
- 8. Verifique la distancia de todas las partes efectivas de los sistemas de bomba principal y de reserva.
- 9. Quite el montaje de la bomba desde la entrada en T. Quite la entrada en T de la bomba.
- 10. Utilice cemento PVC para instalar la entrada en T de manera permanente en el conducto de descarga, conforme a las instrucciones del cemento PVC.



**Emanaciones peligrosas.** Siga las instrucciones del fabricante deL cemento. Utilice cemento PVC sólo en un área bien ventilada, lejos del fuego o las llamas.

- 11. Reinstale el montaje interruptor/soporte.
- 12. Utilice cemento PVC para instalar de manera permanente el montaje de la bomba pegando la válvula de retención en el enchufe lateral de la entrada en T, con la base de la bomba aproximadamente nivelada.
- 13. Ajuste el montaje interruptor/soporte para sostener la bomba. Ajuste la abrazadera.
- 14. Asegúrese que la batería esté con carga completa: luego verifique el funcionamiento desconectando la energía a la bomba de sumidero principal y cargando el sumidero hasta que arranque la bomba de funcionamiento a batería. Haga funcionar la bomba hasta que cumpla un ciclo completo.
- 15. Puede verificarse el funcionamiento en cualquier momento girando los pivotes (4) gastados del interruptor flotante para encender la bomba.



El sonido de líquido que se oye en la parte flotante del interruptor es mercurio, no agua, y debe ser eliminado correctamente. Si no puede hacerlo así, podrá devolver el producto para su eliminación al comercio donde lo adquirió.

## CONEXIONES ELÉCTRICAS



Voltaje peligroso. Puede causar descarga eléctrica importante o fatal. Revise las instrucciones de seguridad antes de poner en funcionamiento el cargador.

No modifique el cable ni el enchufe.

## INSTALACIÓN DEL CARGADOR/BATERÍA

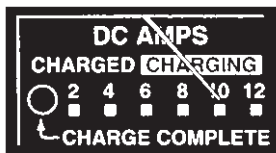
- AVISO:** Cuando se conecte por primera vez el cargador a la batería sonará la alarma. Presione el botón ALARM TEST/RESET en el cargador. Si la alarma continúa sonando, desconecte un cable del cargador de la batería y reconéctelo. Presione ALARM TEST/RESET nuevamente, la alarma se detendrá.
- 1. Conecte el cargador como se muestra en la Figura 3.
    - A. Conecte el cable Positivo (+) desde el cargador a la terminal positiva de la batería.
    - B. Conecte el cable (-) desde el cargador a la terminal negativa de la batería.
    - C. Conecte el tercer cable (azul) desde el cargador a la toma azul sobre el cable marrón de la bomba justo delante del porta fusible.
    - D. Coloque el fusible de amperaje 15 dentro de la ½ del porta fusible y conecte la segunda mitad del porta fusible.
    - E. Conecte el cable negro de la bomba a la terminal negativa de la batería.
    - F. Conecte el cable gris del interruptor marcado con + a la terminal positiva de la batería.
  - 2. Conecte el cable de energía a una boca de salida de 115-125 Voltios CA suministrando al menos 2 amperes. No utilice una boca de salida controlada por interruptor. Marque el circuito en el panel de potencia principal "Suministro de energía de la bomba de sumidero de reserva; no lo apague".
  - 3. Con el cargador correctamente conectado y enchufado, el panel en el frente del cargador aparecerá como en uno de los siguientes estados:
    - A. Si la batería está muerta, el cargador suministrará una energía de 10 amperes aproximadamente (ver Figura 3 A).
    - B. Si la batería está cercana a su carga completa, el cargador enviará una energía de 5 amperes aproximadamente (ver Figura 3 B).
    - C. Si la batería está con carga completa, la corriente de carga será de 0 amperes y se encenderá la luz verde del indicador LED (ver Figura 3 C).
  - 4. El cargador está equipado con un disyuntor de auto-restauración que lo protege de sobrecargas temporarias. En caso de una sobrecarga, el disyuntor se abrirá. Se restaurará automáticamente luego de un corto período de enfriamiento. En algunas condiciones en que la sobrecarga se prolongue, el disyuntor cumplirá el ciclo, repitiendo el proceso abrir/reiniciar indefinidamente. Cuando esto ocurre, el cargador normalmente emitirá un sonido seco a medida que el disyuntor se abra y se reinicie.

**AVISO:** Si el ruido seco continúa por más de 30 minutos, verifique las conexiones inversas del cargador a la batería y elementos cortocircuitados en la misma.

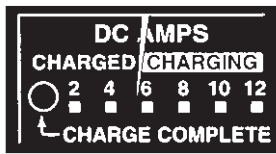
### MANTENIMIENTO DE LA BATERÍA

**AVISO:** Para evitar que la cubierta de la batería se pique o se raspe, no la apoye sobre un piso de cemento (madera laminada, 2 x 4 , etc.). Instale siempre la batería un en lugar seco que esté protegido contra inundación.

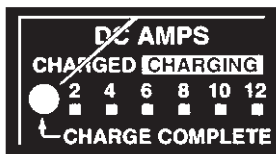
1. Desconecte el cargador de la batería.
2. En baterías con tapa superior removible, mida el peso específico del electrolito. Utilice un hidrómetro (puede encontrarlo en comercios de auto partes). Si el peso específico de cualquier elemento es menor a 1,225 o si hay una variación de más de 0,050 entre elementos, reemplace la batería.
3. Verifique el nivel de electrolito y vuelva a cargarla según sea necesario.
4. Verifique las terminales y abrazaderas de las baterías para controlar la firmeza y corrosión. Limpie y ajuste según sea necesario.
5. Enchufe el cargador de la batería.



3A.



3B.



3C.

**FIGURA 3- Panel de control de la batería de reserva**

- A. Batería agotada: corriente de carga 10 amperes.
- B. Batería casi cargada: corriente de aproximadamente 5 amperes.
- C. Carga completa: corriente de 0 amperes, luces del indicador LED encendidas.

### LOCALIZACIÓN DE FALLAS

#### *La bomba no funciona:*

1. Verifique todas las conexiones.
2. Verifique que la batería no esté con carga baja o defectuosa.
3. Verifique que el interruptor automático gire hacia arriba y hacia abajo sin dificultad.
4. Fusible fundido en el interruptor. Desconecte la bomba y quite el filtro. Verifique que el impulsor gire sin dificultad. Si el impulsor está bloqueado quite la obstrucción. Reemplace el filtro y el fusible.

#### *El motor zumba pero la bomba no funciona:*

1. Verifique que la batería no esté con carga baja o defectuosa.

#### *La bomba funciona pero bombea muy poca agua o nada:*

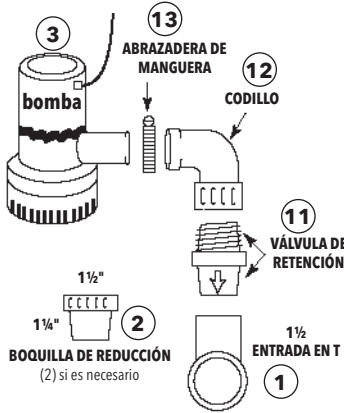
1. Asegúrese que esté instalada una válvula de retención y que funcione entre la descarga de la bomba principal y la entrada en T de la bomba de sumidero de reserva.
2. Verifique que no haya una obstrucción en el tubo de descarga.
3. La longitud y/o altura del tubo de descarga excede la capacidad de la bomba. Vea la Tabla 1 para conocer la capacidad de la bomba.
4. Verifique que la batería no esté con carga baja o defectuosa.
5. Perfore un orificio de ventilación de 1/16 a 1/8 de diámetro entre la descarga de la bomba y la válvula de retención.

#### *La bomba realiza ciclos demasiado seguidos:*

1. La válvula de retención principal ubicada entre la descarga de la bomba principal y la entrada en T de la bomba de sumidero de reserva, o la válvula de retención no están instaladas correctamente o no funcionan de manera apropiada. Instale una nueva o repare según sea necesario.

**NOTA:** Las baterías “marinas de ciclo profundo” son diferentes a las baterías marinas y de automóviles.

# PARTES DE REPARACIÓN



Número de artículo	Descripción de la parte	Material	Cantidad necesaria	Número de orden de la parte de reparación	
				SPBB	SPBB2
1	TEntrada T, Enchufe 1/2"	Termoplástico	1	6K146	
2	Boquilla de reducción, 1 1/2" x 1 1/4"	Termoplástico	2	4K499	
3	Bomba - 2000GPH or 3700GPH	Varía	1	9K318	9K499
4	Unidad interruptor flotante	-	1	9K319	
5	Porta fusible	-	1	9K320	
6	Fusible-15 amp./25 amp.	-	1	9K321	9K565
7	Terminales de cable	-	1	9K322	
			1	9K323	
			2	9K324	
			3	9K325	
8	Terminales-Batería de pilote superior	-	2	9K326	
9	Cubierta de batería	Termoplástico	1	9K327	
10	Montaje del Cargador	-	1	9K328	
11	Válvula de retención 1" MPT	Termoplástico	1	6K147	6K174
12	Codillo-1" FPT	Termoplástico	1	6K148	6K175
13	Abrazadera de manguera	-	1	4K497	
14	Bomba/Disyuntor	-	1	9K329	
15	Abrazadera de manguera	-	1	4K498	

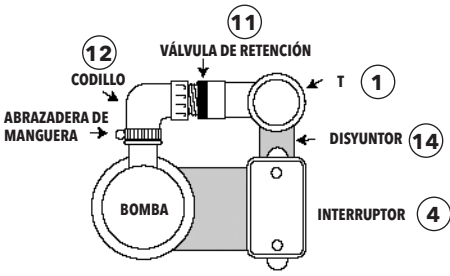
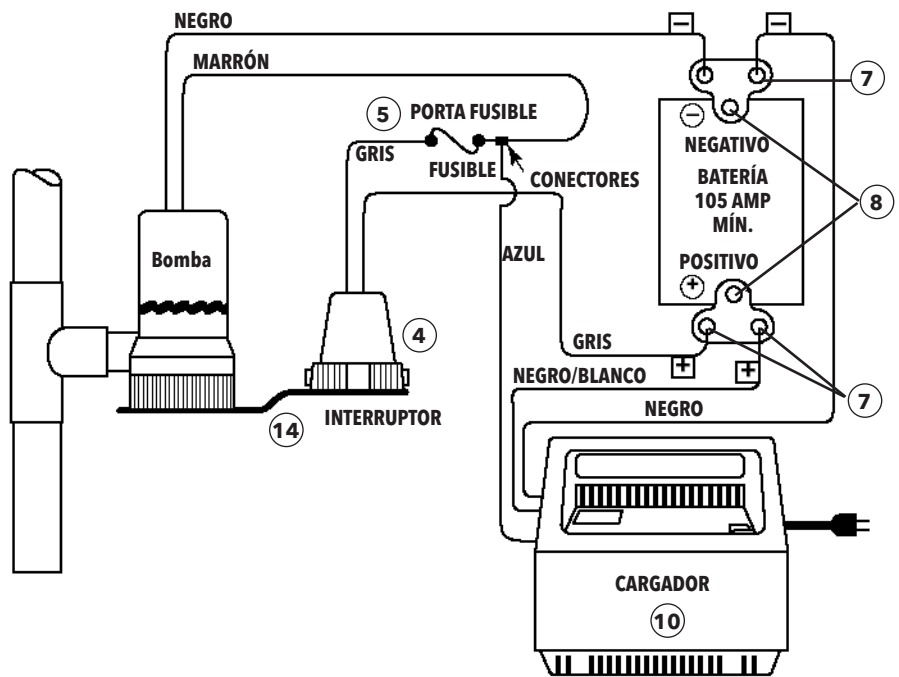
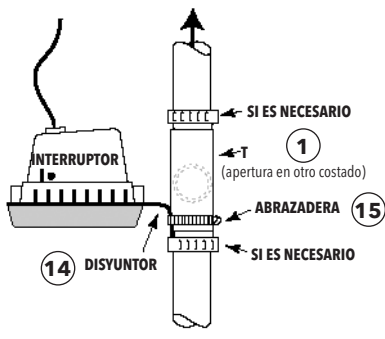


FIGURA 4

### GARANTÍA LIMITADA DE GOULDS WATER TECHNOLOGY

Esta garantía se aplica a todas las bombas de sistemas de agua fabricadas por Goulds Water Technology.

Toda parte o partes que se encuentren defectuosas dentro del período de garantía serán reemplazadas sin cargo para el representante dentro del plazo de garantía. El plazo de garantía estará en vigencia durante un período de doce (12) meses a partir de la fecha de instalación o dieciocho (18) meses a partir de la fecha de fabricación, cualquiera sea el período más corto.

Un representante que crea necesario realizar un reclamo deberá contactar al distribuidor de Goulds Water Technology autorizado por medio del cual adquirió la bomba y proporcionar en forma completa los detalles del reclamo. El distribuidor se encuentra autorizado a liquidar todo reclamo de garantía a través del Departamento de Servicio al Cliente de Goulds Water Technology.

**La garantía no incluye:**

- (a) Mano de obra, transporte y gastos relacionados en los que haya incurrido el representante;
- (b) Gastos de reinstalación de los equipos reparados;
- (c) Gastos de reinstalación de los equipos reemplazados;
- (d) Daños resultantes de cualquier tipo; y,
- (e) Reintegro por pérdidas causadas por la interrupción del servicio.

**A los efectos de esta garantía, ofrecemos una definición de los siguientes términos:**

- (1) "Distribuidor" se refiere a toda persona, sociedad, corporación, asociación o demás relación legal que se encuentre entre Goulds Water Technology y el distribuidor en adquisiciones, consignaciones o contratos para la venta de bombas.
- (2) "Representante" se refiere a toda persona, sociedad, corporación, asociación o demás relación legal que realice operaciones comerciales de venta o arrendamiento de bombas con clientes.
- (3) "Cliente" se refiere a toda entidad que compra o arrienda bombas de un representante. El "cliente" puede ser una persona, sociedad, corporación, empresa de responsabilidad limitada, asociación o demás entidad legal que realice cualquier tipo de operación comercial.

**LA GARANTÍA SE EXTIENDE ÚNICAMENTE AL REPRESENTANTE.**



Xylem, Inc.  
2881 East Bayard Street Ext., Suite A  
Seneca Falls, NY 13148  
Teléfono: (866) 325-4210  
Fax: (888) 322-5877  
[www.xylem.com/brands/gouldswatertechnology](http://www.xylem.com/brands/gouldswatertechnology)

Goulds es una marca registrada de Goulds Pumps, Inc. y se utiliza bajo licencia.  
© 2012 Xylem Inc. IM175 Revisión Número 3 Julio 2012



---

# Pompe de puisard de secours à batterie

**DIRECTIVES D'INSTALLATION, D'UTILISATION ET D'ENTRETIEN**

---

## Table des matières

---

<b>SUJET</b>	<b>PAGE</b>
Règles de sécurité pour l'installation et l'utilisation .....	19
Outillage et matériel de base requis.....	19
Informations générales.....	19
Fonctionnement de la pompe et du chargeur .....	19
Exigences relatives à la batterie.....	20
Installation et utilisation de la pompe.....	20
Raccordement électrique.....	21
Branchement de la batterie et du chargeur.....	21
Entretien de la batterie.....	22
Diagnostic des anomalies.....	22
Pièces de rechange.....	23
Garantie limitée.....	24

### Informations pour le propriétaire

Numéro de modèle de la pompe : \_\_\_\_\_

Numéro de série de la pompe : \_\_\_\_\_

N° de modèle de la commande : \_\_\_\_\_

Détaillant : \_\_\_\_\_

N° de téléphone du détaillant : \_\_\_\_\_

Date d'achat : \_\_\_\_\_ d'installation : \_\_\_\_\_

## RÈGLES DE SÉCURITÉ POUR L'INSTALLATION ET L'UTILISATION

Lire et suivre avec soin toutes les consignes de sécurité figurant dans le manuel et sur les éléments du système.



Le symbole ci-contre est un **SYMBOLE DE SÉCURITÉ** employé pour signaler les mots-indicateurs dont on trouvera la description ci-dessous. Sa présence sert à attirer l'attention afin d'éviter les blessures!



Prévient des risques qui **VONT** causer des blessures graves, la mort ou des dommages matériels importants si l'on n'en tient pas compte.



Prévient des risques qui, si l'on n'en tient pas compte, **PEUVENT** causer des blessures graves, la mort ou des dommages matériels importants.



Prévient des risques qui, si l'on n'en tient pas compte, **VONT** ou **PEUVENT** causer un traumatisme ou des dommages matériels légers.

Le mot **AVIS** sert à énoncer des directives spéciales importantes, non liées à des risques.

1. Afin de prévenir les dommages matériels et les blessures graves, lire les consignes de sécurité avant d'installer la pompe.
2. Suivre les prescriptions des codes provinciaux ou nationaux de la plomberie et de l'électricité pertinents, ainsi que les règlements locaux. L'usage d'un disjoncteur de fuite à la terre est recommandé pour tout appareil électrique immergé.
3. Employer la pompe uniquement comme pompe de puisard domestique de secours, car elle n'est pas conçue pour servir de pompe de puisard principale.



**Tension dangereuse — peut causer un choc électrique grave, voire mortel.**

4. Ne pas brancher ni débrancher le chargeur de batterie si l'on est dans l'eau ou sur un plancher mouillé. S'assurer qu'une main est libre quand on branche ou débranche le chargeur. Si le plancher du sous-sol est mouillé, couper l'alimentation en courant du sous-sol avant de marcher sur le plancher.
5. Ne pas lever la pompe par son cordon d'alimentation.
6. Ne pomper que de l'eau avec la pompe de secours.
7. La pompe est lubrifiée à vie. Ne pas essayer de la lubrifier!
8. Garder le chargeur et le coffre à batterie en un lieu sec, frais et bien aéré.
9. Pour prévenir les dangers d'incendie ou d'explosion, maintenir la batterie loin des étincelles et des flammes.



**L'électrolyte de la batterie est de l'acide sulfurique, donc corrosif.**

10. Ne pas renverser d'électrolyte sur la peau, sur les vêtements ni sur le chargeur. Porter des lunettes de sécurité pour travailler sur la batterie.
11. La hauteur de refoulement maximale de la pompe est de 4,6 m (15 pi).
12. S'assurer que les corps étrangers ne peuvent être aspirés dans la pompe.

## OUTILLAGE ET MATÉRIEL DE BASE REQUIS

L'outillage et le matériel suivants sont nécessaires : clés à tubes, tournevis, scie à métaux, clé à molette, ruban de Téflon, canif, batterie de 12 V, colle pour polychlorure de vinyle (PVC), clapet de non-retour (s'il n'y en a pas d'installé après la pompe principale).

## INFORMATIONS GÉNÉRALES

La pompe de puisard de secours à batterie n'est pas conçue pour remplacer la pompe de puisard principale, mais bien pour servir durant les pannes de courant et autres défaillances empêchant la pompe principale de fonctionner. Ne pas l'utiliser pour les liquides inflammables ou chargés chimiquement.

Protéger le chargeur de batterie de l'humidité et des chocs. Au cours d'une panne de courant ou autre urgence prolongées épuisant la batterie, on pourra employer temporairement une batterie d'automobile, mais on veillera à réutiliser la batterie de la pompe dès que possible.

## FONCTIONNEMENT DE LA POMPE ET DU CHARGEUR

La pompe de secours démarrera automatiquement quand le niveau de l'eau du puisard montera assez pour déclencher le contacteur à flotteur. Après un délai d'environ quatre (4) secondes, une alarme sonnera. On arrêtera l'alarme en pressant le bouton **ALARME — ESSAI ET RÉARMEMENT (ALARM TEST/RESET)**. En fonctionnement normal, l'alarme s'arrêtera environ 4 s après que le contacteur sera redescendu à sa position d'arrêt (**OFF**). Le cycle pourra alors recommencer.

On peut essayer l'alarme en tout temps en pressant le bouton **ALARME — ESSAI ET RÉARMEMENT (ALARM TEST/RESET)**.

En cas d'alarme, vérifier le fonctionnement de la pompe principale, qui pourrait avoir besoin d'entretien, ce qui est peu probable si l'alarme est due à une panne de courant.

Le chargeur peut faire fonctionner la pompe de secours et en charger la batterie simultanément tant qu'il est alimenté en courant. En cas de panne de courant, l'autonomie de la pompe sera proportionnelle à la charge en ampères-heures (Ah) de la batterie utilisée.

Les longues périodes de fonctionnement (panne de courant prolongée) peuvent épuiser la batterie. Cependant, une fois la pompe mise hors service, la batterie pourra normalement se recharger d'elle-même assez pour produire le ½ V nécessaire à la remise en marche du chargeur.

Dès que le courant sera rétabli, le chargeur rechargera automatiquement la batterie, en six heures environ.

**AVIS :** si la batterie ne fournit pas une tension suffisante après 24 h de charge, l'alarme sonnera. On ne pourra alors réarmer le dispositif d'alarme (voir les anomalies et correctifs en page suivante).

ANOMALIE	CORRECTIF
Fonctionnement de la pompe de secours	Presser RÉARMEMENT (RESET). Vérifier la pompe principale.
Panne de courant pendant plus de 24 h	Débrancher le chargeur d'avec la batterie. S'adresser à la société d'électricité.
Charge de batterie durant plus de 24 h	Déconnecter le chargeur d'avec la batterie. Vérifier si la batterie est défectueuse.
Connexion lâche ou chargeur sans courant	Débrancher le chargeur d'avec la batterie. Vérifier la fiche du cordon, la prise murale et le courant au disjoncteur principal.

Une fois le courant rétabli ou la batterie remplacée, on peut réarmer le dispositif d'alarme.

## EXIGENCES RELATIVES À LA BATTERIE

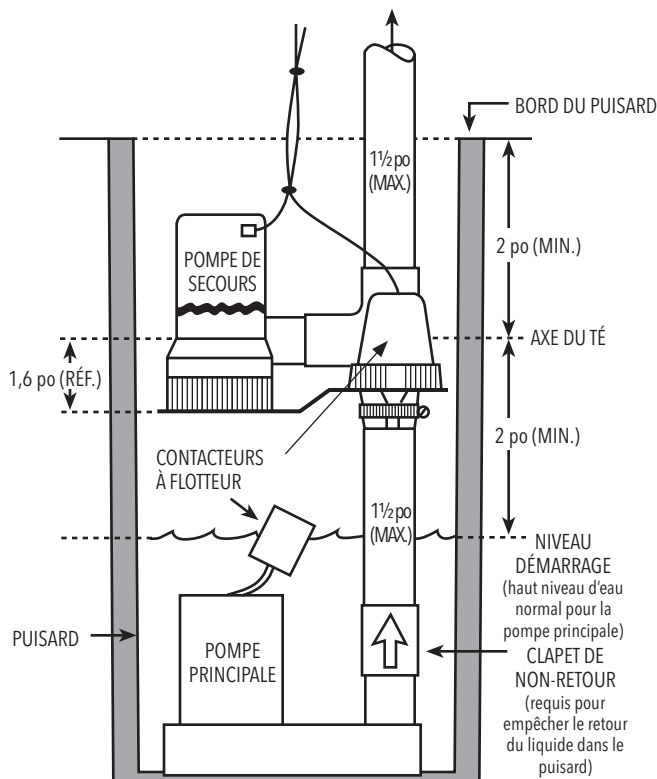
### **AVERTISSEMENT** Courant électrique dangereux

Placer la batterie dans son coffre pour prévenir le court-circuitage des bornes de batterie et, ainsi, les risques de brûlure graves et d'incendie. Bien assujettir le couvercle au coffre avec la sangle de ce dernier. Ne pas laisser la batterie non couverte ni permettre aux enfants de jouer près du système de pompage.

Le rendement de la pompe de puisard de secours est fonction de la batterie alimentant la pompe. Meilleure sera la batterie, meilleur sera le rendement.

L'usage d'une batterie marine à charge poussée de 105 A est recommandé.

La batterie recommandée fournit un bon rendement pendant de nombreuses heures et garde bien sa charge quand la pompe est en attente durant de longues périodes.



**FIGURE 1**  
Installation type

### **ATTENTION**

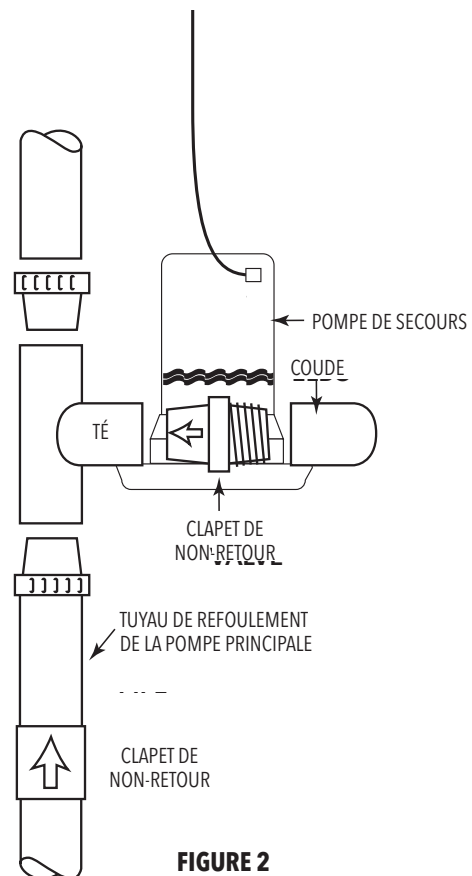
L'emploi d'une batterie d'automobile ou marine standard avec le chargeur prévu pour la pompe de secours n'est pas recommandé. Une batterie d'automobile peut nécessiter une recharge après une à deux heures d'usage ininterrompu, et les cycles de charge répétés peuvent causer la défaillance prématurée des plaques de batterie.

Employer uniquement une batterie neuve, chargée à bloc et pouvant aller dans le coffre à batterie. Les dimensions maximales sont : 320,7 mm (12<sup>3</sup>/<sub>8</sub> po) de longueur, 177,8 mm (7 po) de largeur et 238 mm (9<sup>3</sup>/<sub>8</sub> po) de hauteur (avec les bornes).

## INSTALLATION ET UTILISATION DE LA POMPE

**AVIS :** Afin d'éviter tout problème d'assemblage éventuel, il est recommandé de vérifier la mise en place et la hauteur des éléments de tuyauterie et autres composants, dont le contacteur à flotteur de la pompe de secours, avant de fixer les tronçons de tuyauterie avec de la colle.

1. Remplir le puisard d'eau jusqu'à ce que la pompe principale démarre. Marquer le niveau alors atteint par l'eau comme étant le « haut niveau d'eau normal ».
2. Pour mettre la pompe de secours à la bonne hauteur, en placer l'axe horizontal du té de refoulement à au moins 2 po au-dessus du haut niveau d'eau normal.
3. S'assurer que le té est à au moins 2 po sous le bord du puisard.



**FIGURE 2**  
Détails d'assemblage

4. Vérifier les points A et B suivants et exécuter la tâche C pour s'assurer que la pompe de secours ne gênera pas le fonctionnement de la pompe principale :
  - A. Le contacteur à flotteur sur câble (de la pompe principale) doit pouvoir bouger librement.
  - B. Le haut niveau d'eau normal ne doit pas atteindre le niveau de démarrage de la pompe de secours.
  - C. Poser un clapet de non-retour sur le tuyau de refoulement de la pompe principale, au-dessous du té de la pompe de secours, mais suivant le sens d'écoulement du liquide, indiqué par la flèche du clapet. **NE PAS INSTALLER LE CLAPET EN SENS INVERSE.** Le clapet empêche le liquide de retourner dans le puisard durant le fonctionnement de la pompe de secours.
5. Couper un tronçon de tuyau de refoulement à la longueur appropriée pour la pompe principale. Employer du tuyau de polychlorure de vinyle (PVC). Le té fourni permet un raccordement coulissant de ½ po. Au besoin, employer les raccords réducteurs de 1½ po à 1¼ po inclus. Ne pas coller le té avant de s'assurer que l'assemblage et l'alignement de toutes les pièces sont corrects.
6. Visser le clapet de non-retour à fond sur le coude fourni (v. illustrations en page 22). Enfiler l'autre bout du coude sur la tubulure de refoulement de la pompe et l'assujettir avec un collier de serrage. Insérer l'extrémité libre du clapet dans la branche médiane du té.
7. Fixer le contacteur à flotteur sur la ferrure en inox fournie. Attacher la ferrure au té avec un collier de serrage. Régler la position de la ferrure pour que la pompe et le contacteur soient à peu près de niveau.
8. Vérifier si les pièces mobiles du système peuvent bouger librement.
9. Séparer la pompe de secours et l'ensemble ferrure-contacteur d'avec le té, puis enlever le té du tuyau de refoulement de la pompe principale.
10. Fixer le té au tuyau de refoulement avec de la colle pour PVC, selon les directives d'utilisation de la colle.



**Vapeurs dangereuses.** Suivre les directives du fabricant de la colle. Utiliser la colle uniquement en un lieu bien ventilé, loin de la flamme.

11. Reposer l'ensemble ferrure-contacteur sur le té.
12. Avec de la colle pour PVC, fixer le clapet de la pompe de secours à la branche médiane du té tout en s'assurant que le dessous de la pompe sera à peu près de niveau.
13. Régler la ferrure pour qu'elle supporte la pompe, puis assujettir la ferrure avec son collier de serrage.
14. **S'assurer que la batterie est chargée à bloc.** Vérifier ensuite si la pompe de secours fonctionne correctement. Pour ce faire, déconnecter la pompe principale et remplir le puisard d'eau jusqu'à ce que la pompe de secours démarre. Laisser la pompe achever son cycle.
15. À l'aide des molettes du contacteur, on peut faire pivoter celui-ci pour vérifier le fonctionnement de la pompe de secours.



Le son que l'on entendra en faisant pivoter le flotteur est celui du mercure qu'il contient, produit dangereux que l'on devrait éliminer correctement. Si l'on ne peut éliminer soi-même le produit de façon appropriée, on peut le retourner à cet effet au vendeur du produit.

## RACCORDEMENT ÉLECTRIQUE



Tension dangereuse — peut causer un choc électrique grave, voire mortel. Relire les consignes de sécurité avant d'employer le chargeur.

Ne pas modifier le cordon d'alimentation ni la fiche.

## BRANCHEMENT DE LA BATTERIE ET DU CHARGEUR

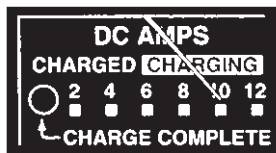
**AVIS :** l'alarme sonnera lorsque l'on branchera le chargeur à la batterie la première fois. Presser alors le bouton **ALARME — ESSAI ET RÉARMEMENT (ALARM TEST/RESET)** du chargeur. Si l'alarme continue à sonner, débrancher un conducteur de sortie du chargeur d'avec la batterie, puis le rebrancher. Appuyer de nouveau sur le bouton, et l'alarme s'arrêtera.

1. Connecter le chargeur et la batterie comme suit (v. fig. 4) :
    - A. Brancher le conducteur positif (+) du chargeur au connecteur + de la batterie.
    - B. Connecter le conducteur négatif (–) du chargeur au connecteur – de la batterie.
    - C. Brancher le fil bleu du chargeur au connecteur bleu du fil brun de la pompe de secours, près du porte-fusible.
    - D. Poser un fusible de 15 A dans le porte-fusible.
    - E. Connecter le fil noir de la pompe au connecteur – de la batterie.
    - F. Brancher le fil gris + (libre) du contacteur à flotteur au connecteur + de la batterie.
  2. Brancher le cordon du chargeur à une prise de courant de 115 à 125 V c.a., d'au moins 2 A. Ne pas utiliser une prise reliée à un interrupteur. Inscire près du disjoncteur du circuit, sur le tableau de distribution principal : « Pompe de secours — ne pas couper le circuit ».
  3. Une fois le chargeur connecté correctement, son indicateur donnera les informations suivantes :
    - A. Si la batterie est épuisée, le courant de charge sera environ 10 A (v. fig. 3A).
    - B. Si la batterie est presque chargée, le courant de charge sera à peu près 5 A (v. fig. 3B).
    - C. Si la batterie est chargée à bloc, le courant de charge sera nul, et le voyant (DEL) vert sera allumé (v. fig. 3C).
  4. Le chargeur est muni d'un disjoncteur à réarmement automatique le protégeant des surcharges momentanées. S'il y a surcharge, le disjoncteur se déclenchera, et se réarmera après une courte période de refroidissement. Si la surcharge est prolongée, le disjoncteur se déclenchera et se réarmera durant un temps indéterminé. En pareil cas, on entendra le cliquetis répété du disjoncteur.
- AVIS :** si le cliquetis dure plus de 30 min environ, vérifier si la position des conducteurs du chargeur est inversée sur la batterie et si des cellules de batterie sont court-circuitées.

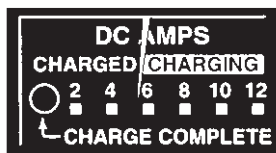
## ENTRETIEN DE LA BATTERIE

**AVIS:** afin de prévenir l'endommagement de la surface du coffre à batterie, ne pas laisser le coffre sur le sol. On doit toujours le mettre en un lieu sec, protégé des inondations.

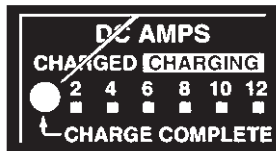
1. Débrancher le chargeur.
2. S'il s'agit d'une batterie à bouchons amovibles, enlever ceux-ci et vérifier la densité de l'électrolyte avec un densimètre (vendu dans les magasins de pièces d'automobiles). Si l'une des cellules présente une densité inférieure à 1,225 ou que la variation entre les cellules soit supérieure à 0,050, remplacer la batterie.
3. Vérifier le niveau d'électrolyte des cellules et remplir ces dernières au besoin.
4. Inspecter les bornes et les connecteurs de la batterie. Les débarrasser de toute corrosion et les resserrer au besoin.
5. Rebrancher le chargeur.



3A



3B



3C

**FIGURE 3 —**  
**Indicateur de charge**  
**de la batterie**

3A Batterie épuisée —  
courant de charge  
de 10 A

3B Batterie presque  
chargée — courant  
de charge de 5 A

3C Batterie chargée  
à bloc — courant de  
charge nul et voyant  
vert allumé

## DIAGNOSTIC DES ANOMALIES

*La pompe ne fonctionne pas:*

1. Vérifier toutes les connexions.
2. Vérifier si la batterie est défectueuse ou si sa charge est faible.
3. S'assurer que le flotteur du contacteur peut se déplacer librement.
4. Vérifier si le fusible du circuit du contacteur à flotteur a sauté. Débrancher la pompe, ôter la crépine et s'assurer qu'aucun corps étranger ne bloque la roue. Si la roue est bloquée, la débarrasser de l'obstacle, puis reposer la crépine et remplacer le fusible sauté.

*Le moteur bourdonne, mais la pompe ne tourne pas:*

1. Vérifier si la batterie est défectueuse ou si sa charge est faible.

*La pompe tourne, mais son débit est faible ou nul:*

1. S'assurer qu'un clapet de non-retour est posé correctement sur le tuyau de refoulement de la pompe principale (avant le té de la pompe de secours) et qu'il fonctionne bien.
2. Vérifier si le tuyau de refoulement est obstrué.
3. Voir si la longueur du tuyau de refoulement ou la hauteur de refoulement sont excessives (voir «TABLE 1 — Caractéristiques nominales»).
4. Vérifier si la batterie est défectueuse ou si sa charge est faible.
5. Percer un trou-purgeur d'air de 1/16 à 1/8 po de diamètre dans le tuyau de refoulement de la pompe principale, avant le clapet de non-retour.

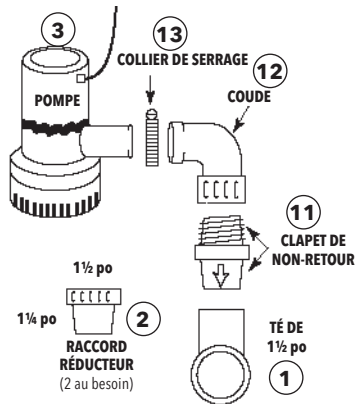
*La pompe démarre trop souvent:*

1. S'assurer qu'un clapet de non-retour est posé correctement sur le tuyau de refoulement de la pompe principale (avant le té de la pompe de secours) et qu'il fonctionne bien. Au besoin, apporter les correctifs appropriés.

**NOTA :**

Les «batteries marines à charge poussée» sont différentes des batteries d'automobile et des batteries marines standard !

# PIÈCES DE RECHANGE



Numéro d'article	Description	Matériau	Quantité requise	No de pièce de rechange	
				SPBB	SPBB2
1	Té, avec branche médiane de 1 1/2 po	Thermoplastique	1	6K146	
2	Raccord réducteur de 1 1/2 po à 1 1/4 po	Thermoplastique	2	4K499	
3	Pompe de secours - 2000GPH or 3700GPH	Varié	1	9K318	9K499
4	Contacteur à flotteur		1	9K319	
5	Porte-fusible		1	9K320	
6	Fusible de 15 A/25 A		1	9K321	9K565
7	Connecteur de câble		1	9K322	
			1	9K323	
			2	9K324	
			3	9K325	
8	Borne de batterie		2	9K326	
9	Coffre à batterie	Thermoplastique	1	9K327	
10	Chargeur		1	9K328	
11	Clapet de non-retour de 1 po à filetage extérieur	Thermoplastique	1	6K147	6K174
12	Coude de 1 po à filetage intérieur	Thermoplastique	1	6K148	6K175
13	Collier de serrage		1	4K497	
14	Ferrure		1	9K329	
15	Collier de serrage		1	4K498	

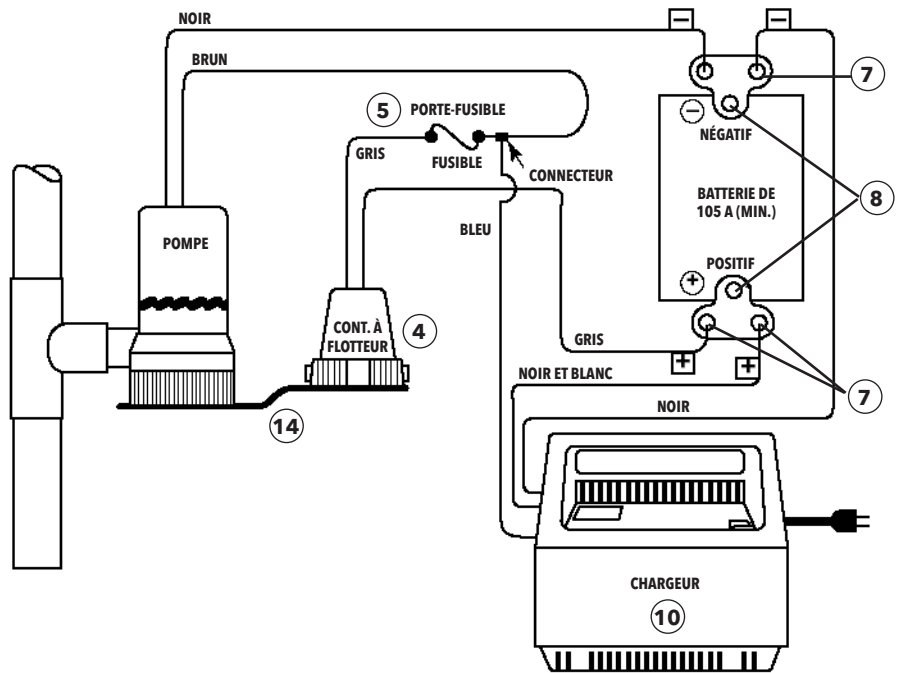
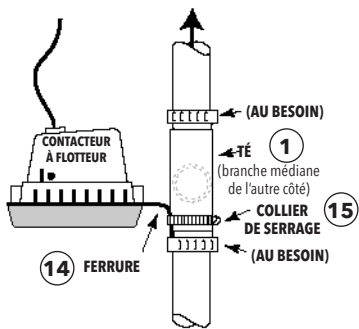
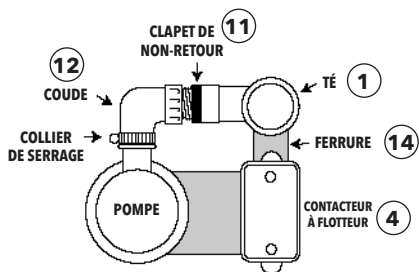


FIGURE 4



### GARANTIE LIMITÉE DE GOULDS WATER TECHNOLOGY

La présente garantie s'applique à chaque pompe de système d'alimentation en eau fabriquée par Goulds Water Technology.

Toute pièce se révélant défectueuse sera remplacée sans frais pour le détaillant durant la période de garantie suivante expirant la première : douze (12) mois à compter de la date d'installation ou dix-huit (18) mois à partir de la date de fabrication.

Le détaillant qui, aux termes de la présente garantie, désire effectuer une demande de règlement doit s'adresser au distributeur Goulds Water Technology agréé chez lequel la pompe a été achetée et fournir tous les détails à l'appui de sa demande. Le distributeur est autorisé à régler toute demande par le biais du service à la clientèle de Goulds Water Technology.

**La garantie ne couvre pas :**

- a) les frais de main-d'œuvre ni de transport ni les frais connexes encourus par le détaillant ;
- b) les frais de réinstallation de l'équipement réparé ;
- c) les frais de réinstallation de l'équipement de remplacement ;
- d) les dommages indirects de quelque nature que ce soit ;
- e) ni les pertes découlant de la panne.

**Aux fins de la garantie, les termes ci-dessous sont définis comme suit :**

- 1) « Distributeur » signifie une personne, une société de personnes, une société de capitaux, une association ou autre entité juridique servant d'intermédiaire entre Goulds Water Technology et le détaillant pour les achats, les consignations ou les contrats de vente des pompes en question.
- 2) « Détaillant » veut dire une personne, une société de personnes, une société de capitaux, une association ou autre entité juridique dont les activités commerciales sont la vente ou la location de pompes à des clients.
- 3) « Client » désigne une entité qui achète ou loue les pompes en question chez un détaillant. Le « client » peut être une personne, une société de personnes, une société de capitaux, une société à responsabilité limitée, une association ou autre entité juridique se livrant à quelque activité que ce soit.

**LA PRÉSENTE GARANTIE SE RAPPORTE AU DÉTAILLANT SEULEMENT.**



Xylem, Inc.  
2881 East Bayard Street Ext., Suite A  
Seneca Falls, NY 13148  
Téléphone: (866) 325-4210  
Télécopie: (888) 322-5877  
[www.xylem.com/brands/gouldswatertechnology](http://www.xylem.com/brands/gouldswatertechnology)

Goulds est une marque déposée de Goulds Pumps, Inc. et est utilisé sous le permis.  
© 2012, Xylem Inc. IM175 Révision numéro 3 Juillet 2012