

BF03S REPAIR PARTS

Part No.	Part Name	Pattern No.	
1K1	Casing with plug and 2 grommets	52125	
1K2	Motor adapter with plug and foot	52932	
2K1	Impeller		
3K1	Guidevane		
4K1	Backplate	52126	
4K2	Strainer (with retaining wire)		
4K3	Rubber grommet		
4K4	Air valve core (fits inside AA7)		
4K5	Diffuser		
4K63	Foot		
4K234	Check valve		
4K290	Valve assembly (fits inside AA1)		
5K1	Gasket - backplate		
5K2	Gasket - casing		
5K3	Seal ring - guidevane		
5K7	Deflector		
5K175	O-ring connect A.V.C. tubing to AA7		

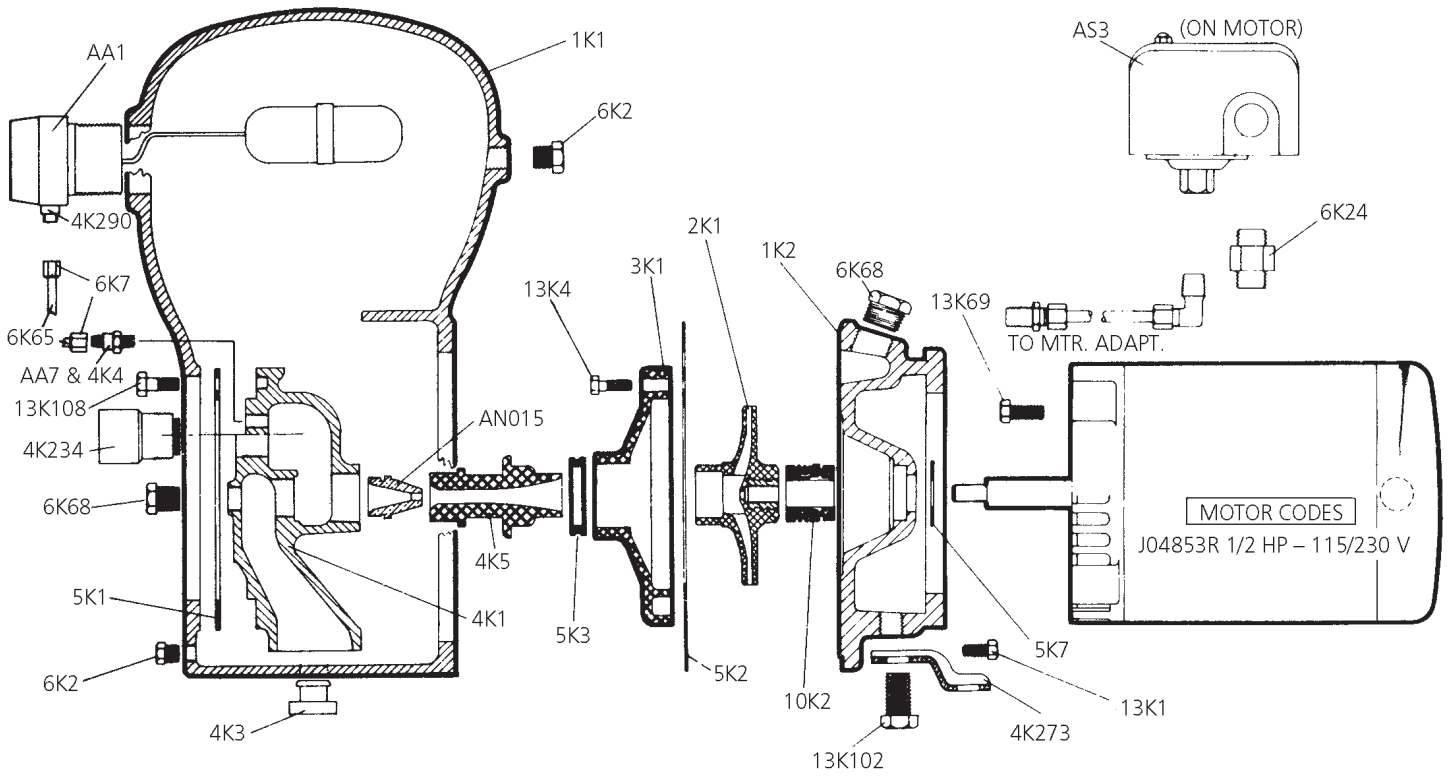
Part No.	Part Name	Pattern No.
6K1	Plug 1/8 NPT (old style)	
6K2	Plug 1/4 NPT	
6K7	Compression nut - A.V.C. tube (use with 5K175)	
6K24	Switch connector with nut	
6K65	Tubing - A.V.C. (3/16" O.D. x 9 3/4" long)	
6K68	Plug 1/2 NPT	

Part No.	Part Name	Pattern No.
10K2	Shaft seal assembly	
13K1	Bolt - adapter to casing	
13K2	Bolt - guidevane	
13K71	Bolt - motor to adapter	
13102	Bolt - foot to adapter	
13K108	Bolt - backplate to casing	
AA1	Air volume control (includes 4K290)	
AA7	Air valve (includes 4K4)	
AN015	Nozzle	
AS3	Pressure switch	

NOTE: 4K2 strainer not required on units with nozzle cleanout plug.

① 6K1 casing drain plug changed to 6K2 on 1981 and later models.

② Valve assembly 4K290 used to repair USG (black) only. 4K7 valve assembly no longer available.



Xylem Inc.

2881 East Bayard Street Ext., Suite A, Seneca Falls, NY 13148

Phone: (866) 325-4210 Fax: (888) 322-5877

www.xylem.com/brands/gouldswatertechnology

