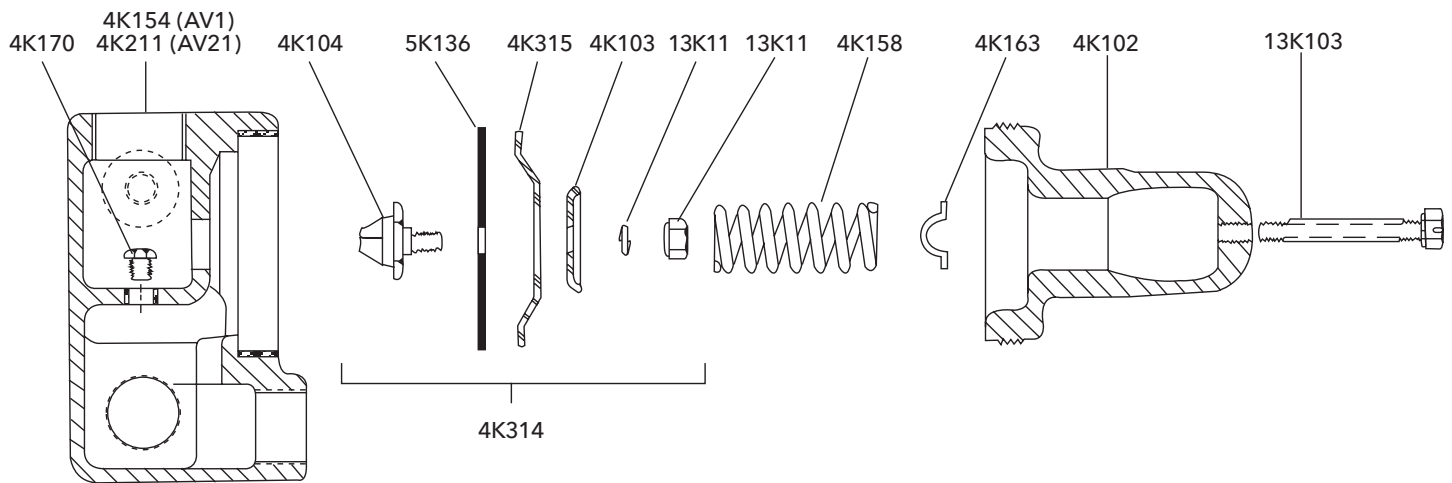


AV1 and AV21 REPAIR PARTS

PRESSURE CONTROL VALVES



2" AND 3" JET PACKER REPAIR PARTS

Packer	Description	Order No.
AP2	2" Crimp (leather)	5K177
	2" Spacer	5K176
AP3	3" Crimp (leather)	5K129
	3" Spacer	5K220

See the Jet Pump catalog bulletins for Nozzle and Venturri order numbers.

AV1 AND AV21 - VALVE BODY REPAIR PARTS

Description	Order No.
Spring Retainer	4K102
Hex Nut Machine Screw	13K103
Bypass Valve	4K170
Spring	4K158
Spring Thimble	4K163

AV1 OR AV21 REPAIR KIT

4K314

Includes these parts:	
Spring Pilot	4K103
Bypass Valve	4K104
Diaphragm Shield	4K315
Diaphragm	5K136
Hex Nut	13K114
Lock Washer	13K117

If the valve body is damaged, it is best to order a complete new assembly.

AW Repair Parts

Well Casing Adapters



■ **AWJ2 - 2" Packer Adapter:** Well casing adapter for series J+, JRD and HSJ jet pumps.



■ **AW40:** Well casing adapter for series J+, JRD and HSJ jet pumps.



■ **AWD2 or AWD3:** Well casing adapter for series SJ and VJ jet pumps.



■ **AWCJ3 - 3" Packer Adapter:** Well casing adapter for series J+ and HSJ.



■ **AW42:** Well casing adapter for series SJ and VJ jet pumps.

WELL ADAPTER REPAIR PARTS

Order No.	Casting No. (for ID)	Bottom Gland No.	Tapered Seal Ring	Gasket (pump side)	Hex Bolt (Required)	Stud	Hex Nut
AW40	55879	4K316	5K43	5K108	13K44 (2)	–	–
AWJ2	59150	4K316	5K43	5K108	13K42 (2)	–	–
AW42	55970	4K316	5K43	5K151	13K44 (4)	–	–
AWCJ2	59091 (Obsolete)	4K316	5K43	5K173	13K102 (2)	–	–
AWCJ40	59209 (Obsolete)	4K316	5K43	5K173	13K102 (2)	–	–
AWD3	54388	4K31	5K41	5K151	13K44 (2)	13K412 (See separate parts below)	
AWD2	59093	4K316	5K43	5K151	13K44 (2)		
AWCJ3	55552	4K31	5K41	5K108	13K102 (2) & 13K44 (2)	–	–

Order No.	Description	Quantity per package
13K44	½" -13 x 1½" Long Hex Bolt	1
13K102	½" -13 x 1¼" Long Hex Bolt	1
13K373	½" -13 Hex Nut	1
3-46 217	Stud ½" -13 x 1¾"	1
13K412	(2) Studs 3-46 217 (2) ½" -13 Hex Nuts	

Xylem Inc.

2881 East Bayard Street Ext., Suite A, Seneca Falls, NY 13148

Phone: (800) 453-6777 Fax: (888) 322-5877

www.xyleminc.com/brands/gouldswatertechnology

