

**REPAIR PARTS**

R5-18SB 2004-2005

---

# 5SB, 7SB, 10SB & 18SB

JULY 2004 - APRIL 2005

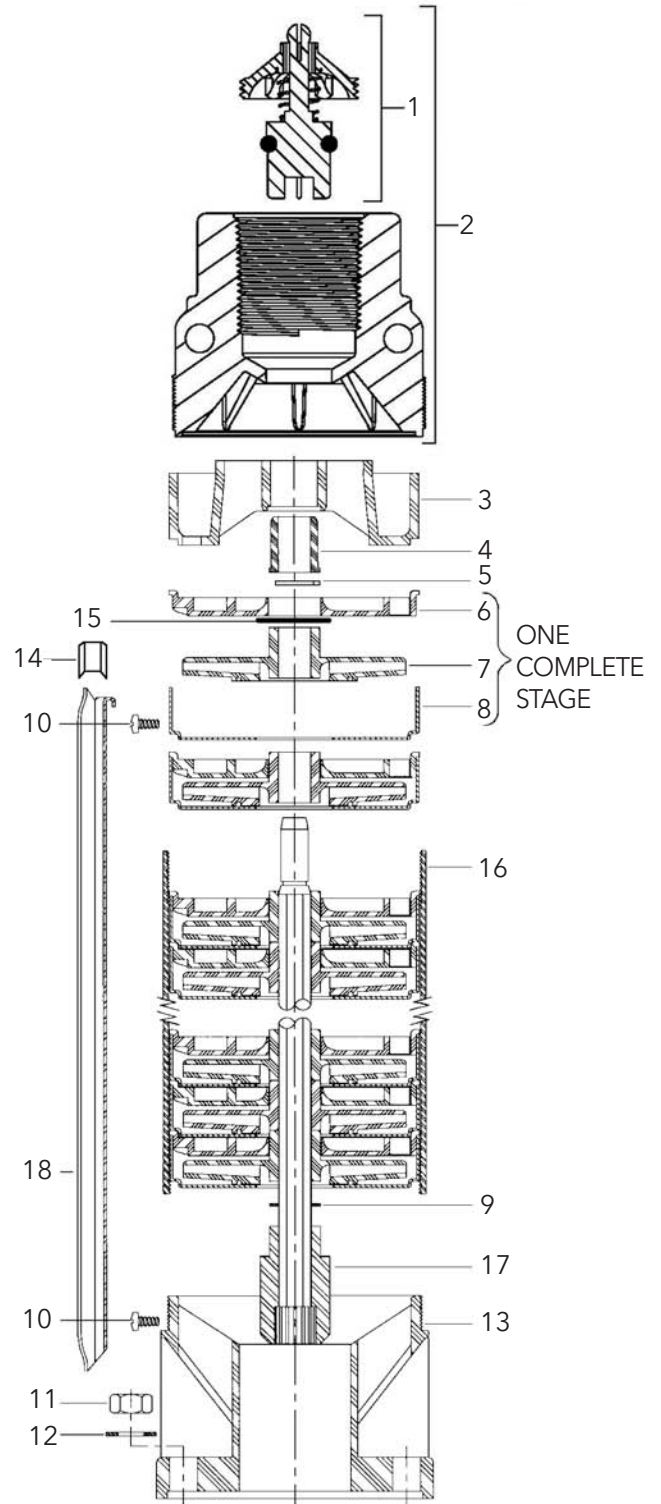
REPAIR PARTS

---

 **GOULDS**  
WATER TECHNOLOGY  
a xylem brand

Repair Parts for SB Series pump built between July 2004 and April 2005 with new screw-in style check valve and new style discharge head identified by 2 safety loops.

Item No.	Description	Current Models				
		HP	5SB	7SB	10SB	18SB
	NUMBER OF STAGES	1/2	12	10	7	–
		3/4	15	13	10	6
		1	20	17	12	8
		1 1/2	–	–	17	11
1	Check valve assembly		7K2227	7K2227	7K2227	7K2227
2	Discharge head with check valve assembly		7K2077	7K2077	7K2077	7K2077
3	Bearing spider		7K1372	7K1372	7K1372	7K1372
4	Bearing		7K1740	7K1740	7K1740	7K1740
5	Shaft retaining ring		7K817	7K817	7K817	7K817
6	Diffuser		7K1750	7K995B	7K17	7K20
7	Impeller		7K1837	7K1343	7K35	7K1334
8	Bowl		7K1838	7K478	7K478	7K858
9	Shim		7K155	7K155	7K155	7K155
10	Cable guard screws		13K122	13K122	13K122	13K122
11	Hex nuts (quantity 4)		13K114	13K114	13K114	13K114
12	Washers (quantity 4)		7K1565	7K1565	7K1565	7K1565
13	Motor adapter		7K2078	7K2078	7K2078	7K2078
14	Motor lead insulator		7K1023	7K1023	7K1023	7K1023
15	Upthrust washer		7K15	7K15	7K15	7K15
16	Casings	1/2	7K2622	7K2621	7K2617	–
		3/4	7K2625	7K2623	7K2620	7K2618
		1	7K2628	7K2627	7K2622	7K2619
		1 1/2	–	–	7K2626	7K2624
17	Shaft and Coupling (Assemblies)	1/2	7K1377	7K1376	7K1360	–
		3/4	7K1381	7K1380	7K1375	7K1359
		1	7K1458	7K1384	7K1377	7K1375
		1 1/2	–	–	7K1457	7K1380
18	Cable guards	1/2	7K2634	7K2633	7K2629	–
		3/4	7K2637	7K2635	7K2632	7K2630
		1	7K2640	7K2639	7K2634	7K631
		1 1/2	–	–	7K2638	7K2636



**xylem**  
Let's Solve Water

Xylem, Inc.  
2881 East Bayard Street Ext., Suite A  
Seneca Falls, NY 13148  
Phone: (800) 453-6777  
Fax: (888) 322-5877  
[www.xylem.com/brands/gouldswatertechnology](http://www.xylem.com/brands/gouldswatertechnology)

Goulds is a registered trademark of Goulds Pumps, Inc. and is used under license.  
© 2012 Xylem Inc. R5-18SB 2004-2005 April 2012