

REPAIR PARTS

R5-18SB

5SB, 7SB, 10SB & 18SB

REPAIR PARTS

 **GOULDS**
WATER TECHNOLOGY
a xylem brand

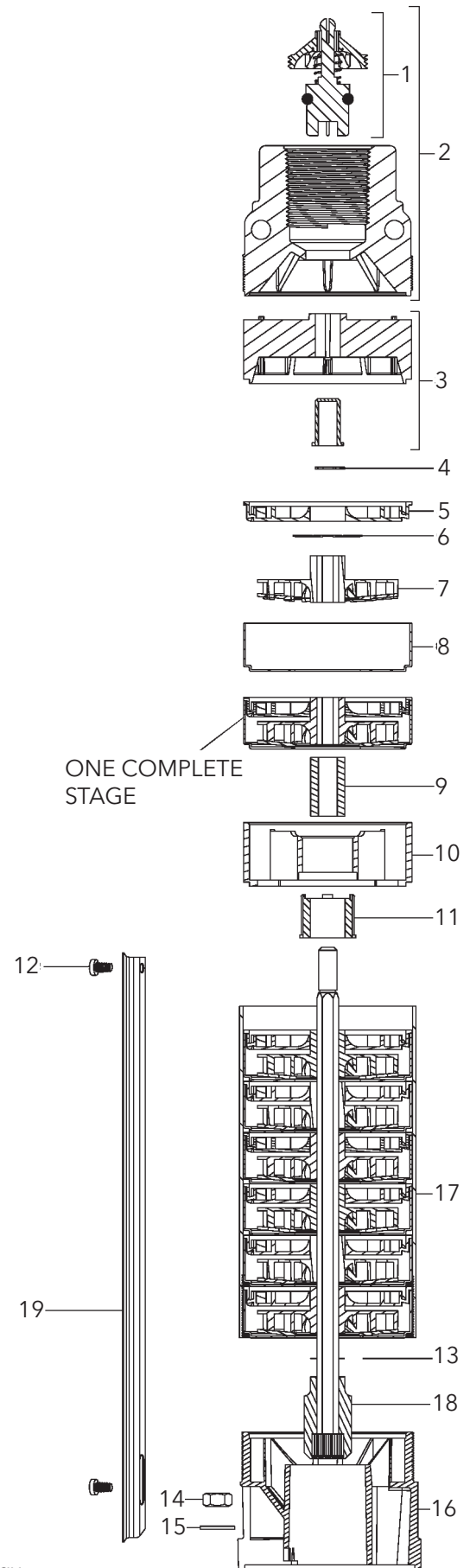
Residential Water Systems

Repair Parts for SB Series pump built after May 2005 with new screw-in style check valve and new style discharge head identified by 2 safety loops.

Item No.	Description	Current Models				
		HP	5SB	7SB	10SB	18SB
	NUMBER OF STAGES	1/2	12	10	7	—
		3/4	15	13	10	6
		1	20 ^①	17	12	8
		1 1/2	—	—	17	11
1	Check valve assembly	7K2227	7K2227	7K2227	7K2227	
2	Discharge head with check valve assembly	7K2077	7K2077	7K2077	7K2077	
3	Bearing spider assembly (upper)	7K2676 ^②	7K2676 ^②	7K2676 ^②	7K2676 ^②	
4	Shaft retaining ring	7K817	7K817	7K817	7K817	
5	Diffuser	7K1750	7K995B	7K17	7K20	
6	Upthrust washer	7K15	7K15	7K15	7K15	
7	Impeller	7K1837	7K1343	7K35	7K1334	
8	Bowl	7K1838	7K478	7K478	7K858	
9 ^①	Intermediate shaft sleeve	7K209	—	—	—	
10 ^①	Intermediate bearing spider	7K1371	—	—	—	
11 ^①	Mid bearing	7K2755	—	—	—	
12	Screws - cable guard	13K122	13K122	13K122	13K122	
13	Shim	7K155	7K155	7K155	7K155	
14	Hex nuts (quantity 4)	13K114	13K114	13K114	13K114	
15	Washers (quantity 4)	7K1565	7K1565	7K1565	7K1565	
16	Motor adapter	7K2078	7K2078	7K2078	7K2078	
17	Casings	1/2	7K2786	7K2793	7K2798	—
		3/4	7K2787	7K2794	7K2799	7K2810
		1	7K2789	7K2795	7K2786	7K2812
		1 1/2	—	—	7K2802	7K2814
18	Shaft and Coupling (Assemblies)	1/2	7K1377	7K1376	7K1360	—
		3/4	7K1381	7K1380	7K1375	7K1359
		1	7K2849	7K1384	7K1377	7K1375
		1 1/2	—	—	7K1457	7K1380
19	Cable guards	1/2	7K2763	7K2228	7K1883	—
		3/4	7K2766	7K2229	7K2760	7K1884
		1	7K2770	7K2236	7K2763	7K2760
		1 1/2	—	—	7K2767	7K2229

① Indicates models with one intermediate bearing.

② Effective May, 2005. upper bearing and spider available as assembly only.



xylem
Let's Solve Water

Xylem, Inc.
2881 East Bayard Street Ext., Suite A
Seneca Falls, NY 13148
Phone: (800) 453-6777
Fax: (888) 322-5877
www.xylem.com/brands/gouldswatertechnology

Goulds is a registered trademark of Goulds Pumps, Inc. and is used under license.
© 2012 Xylem Inc. R5-18SB April 2012