



TECHNICAL BROCHURE

B5-25LS

FEATURES

Powered for Continuous Operation: All ratings are within the working limits of the motor as recommended by the motor manufacturer. Pump can be operated continuously without damage to the motor.

Field Serviceable: Pump can be rebuilt in the field to like new condition with common tools and readily available spare parts. **NOTE: The pump has left hand casing threads.**

Sand Handling Design: Our face clearance, floating impeller stack has proven itself for over 40 years as a superior sand handling, durable pump design.

Stainless Steel Metal Parts: AISI types 302, 303 and 304 are corrosion resistant, non-toxic and non-leaching.

FDA Compliant Non-Metallic Parts: Impellers, diffusers and bearing spiders are constructed of glass-filled engineered composites. They are corrosion resistant and non-toxic.

Discharge Head: High profile cast lead-free silicon bronze for superior strength and durability. Cast in loops for safety line.

Motor Adapter: Cast lead-free silicon bronze is extremely rigid for accurate alignment of liquid end to motor. Generous space for removal of motor mounting nuts with regular open-end wrench.

Bowls: Stainless steel for strength and abrasive resistance.

Check Valve: Screws into discharge head from the top, easily removed for drain-back systems or replacement without disassembling the pump. Spring loaded, o-ring poppet design for positive seal in all conditions.

Stainless Steel Casing: Polished stainless steel is strong, attractive and corrosion resistant.

Hex Shaft Design: Six sided shafts for positive impeller drive.

Shaft Coupling: Exposed for ease of field alignment to motor shaft and to check pump rotation.

Engineered Polymer Bearings: The proprietary, engineered polymer bearing material is extremely strong and highly resistant to abrasion and wear. The enclosed design upper bearing is mounted in a durable Noryl® bearing spider for excellent abrasion resistance.

5LS, 7LS, 10LS, 13LS, 18LS & 25LS

5-25 GPM, ½ - 1½ HP, 60 HZ, SUBMERSIBLE PUMPS

WATER END DATA

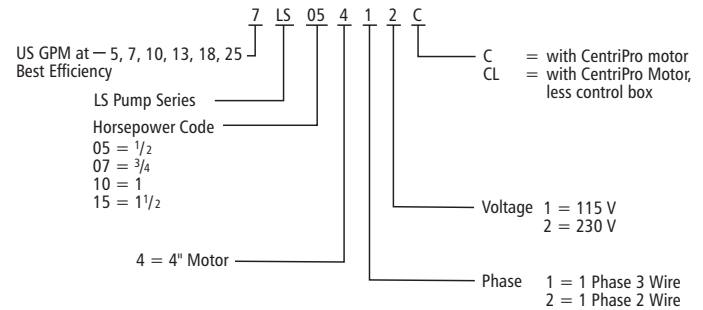
| Series | Model | Required H.P. | Stages | Water End | |
|--------|--------|---------------|--------|-------------|----------|
| | | | | Length (in) | Wt (lbs) |
| 5LS | 5LS05 | .5 | 12 | 15.0 | 9 |
| | 5LS07 | .75 | 15 | 17.0 | 11 |
| | 5LS10 | 1 | 20 | 21.7 | 13 |
| | 5LS15 | 1.5 | 26 | 25.8 | 15 |
| 7LS | 7LS05 | .5 | 10 | 13.8 | 7 |
| | 7LS07 | .75 | 13 | 16.0 | 8 |
| | 7LS10 | 1 | 17 | 18.8 | 9 |
| | 7LS15 | 1.5 | 22 | 23.6 | 12 |
| 10LS | 10LS05 | .5 | 7 | 11.5 | 7 |
| | 10LS07 | .75 | 10 | 13.6 | 8 |
| | 10LS10 | 1 | 12 | 15.0 | 9 |
| | 10LS15 | 1.5 | 17 | 18.4 | 12 |
| 13LS | 13LS05 | .5 | 5 | 10.1 | 6 |
| | 13LS07 | .75 | 7 | 11.5 | 7 |
| | 13LS10 | 1 | 10 | 13.6 | 8 |
| | 13LS15 | 1.5 | 12 | 15.0 | 9 |
| 18LS | 18LS07 | .75 | 6 | 11.8 | 7 |
| | 18LS10 | 1 | 8 | 13.5 | 8 |
| | 18LS15 | 1.5 | 11 | 16.1 | 10 |
| 25LS | 25LS10 | 1 | 7 | 13.4 | 8 |
| | 25LS15 | 1.5 | 9 | 15.3 | 9 |

SPECIFICATIONS

| Model | Flow Range US GPM | Horsepower Range | Best Efficiency US GPM | Discharge Connection | Minimum Well Size | Rotation ^① |
|-------|-------------------|------------------|------------------------|----------------------|-------------------|-----------------------|
| 5LS | 1.2 – 7.5 | ½ – 1½ | 5 | 1¼ | 4" | CCW |
| 7LS | 1.5 – 10 | ½ – 1½ | 7 | 1¼ | 4" | CCW |
| 10LS | 3 – 16 | ½ – 1½ | 10 | 1¼ | 4" | CCW |
| 13LS | 4 – 20 | ½ – 1½ | 13 | 1¼ | 4" | CCW |
| 18LS | 6 – 28 | ¾ – 1½ | 18 | 1¼ | 4" | CCW |
| 25LS | 8 – 33 | 1 – 1½ | 25 | 1¼ | 4" | CCW |

① Rotation is counterclockwise when observed from pump discharge end.

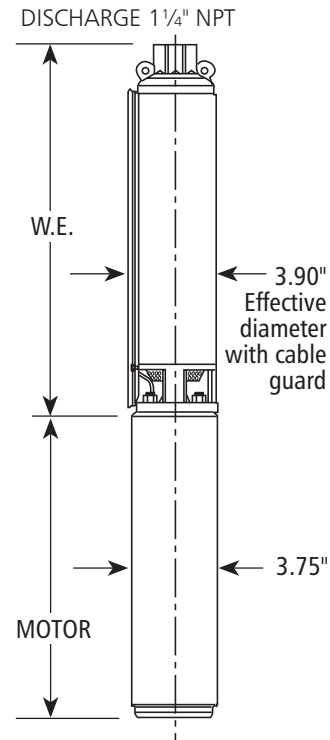
NOMENCLATURE



"LS" SERIES MATERIALS OF CONSTRUCTION

| Part Name | Material |
|------------------------------|-----------------------------------|
| Discharge Head | Silicon Bronze |
| Check Valve Poppet | Delrin |
| Check Valve O-ring | NBR |
| Check Valve Retaining Spring | AISI 302 SS |
| Bearing Spider – Upper | Noryl® GFN2 |
| Bearing | Proprietary Engineered Polymer |
| Klipring | AISI 301 SS |
| Diffuser | Lexan® |
| Impeller | Noryl® |
| Bowl | AISI 304 SS |
| Intermediate Sleeve* | AISI 304 SS, Powder Metal |
| Intermediate Bearing Spider* | Glass Filled Engineered Composite |
| Shim | AISI 304 SS |
| Screws – Cable Guard | AISI 304 SS |
| Motor Adapter | Silicon Bronze |
| Suction Strainer | Engineered Composite |
| Casing | AISI 304 SS |
| Shaft | |
| Coupling | AISI 304 SS, Powder Metal |
| Cable Guard | AISI 304 SS |

*See repair parts for where used.



CENTRIPRO 4" SINGLE-PHASE MOTORS

| Order No. | Type | HP | Volts | Length in. (mm) | Weight lb. (kg.) |
|-----------|---------------|-----|-------|-----------------|------------------|
| M05421 | 2-wire PSC | 1/2 | 115 | 11.0 (279) | 19.2 (8.7) |
| M05422 | | 1/2 | | 11.0 (279) | 19.2 (8.7) |
| M07422 | | 3/4 | | 12.4 (314) | 22.7 (10.3) |
| M10422 | | 1 | | 13.3 (337) | 24.5 (11.1) |
| M15422 | | 1.5 | | 14.9 (378) | 28.9 (13.1) |
| M05411 | 3-wire | 1/2 | 115 | 10.0 (253) | 18.9 (8.6) |
| M05412 | | 1/2 | | 9.7 (246) | 18.1 (8.2) |
| M07412 | | 3/4 | | 10.8 (275) | 21.4 (9.7) |
| M10412 | | 1 | | 11.7 (297) | 23.1 (10.5) |
| M15412 | | 1.5 | | 13.6 (345) | 27.4 (12.4) |

NEMA MOTOR

- Corrosion resistant stainless steel construction.
- Built-in surge arrestor is provided on single phase motors through 5 HP.
- Stainless steel splined shaft.
- Hermetically sealed windings.
- Replaceable motor lead assembly.
- NEMA mounting dimensions
- Control box is required with 3 wire single phase units.
- Three phase units require a magnetic starter with Class 10 overload protection.

CENTRIPRO 4" THREE-PHASE MOTORS

| Order No. | HP | Volts | Length in. (mm) | Weight lb. (kg.) |
|-----------|-----|-------|-----------------|------------------|
| M10432 | 1 | 230 | 11.7 (297) | 23.1 (10.5) |
| M15432 | 1.5 | | 11.7 (297) | 23.1 (10.5) |
| M10434 | 1 | 460 | 11.7 (297) | 23.1 (10.5) |
| M15434 | 1.5 | | 11.7 (297) | 23.1 (10.5) |

AGENCY LISTINGS



Pump / Water End and CentriPro Motor - tested to UL778 and CAN 22.2 by CSA International (Canadian Standards Association)



Pump/Water End - Drinking Water System Components - Certified to NSF/ANSI 61, Annex G

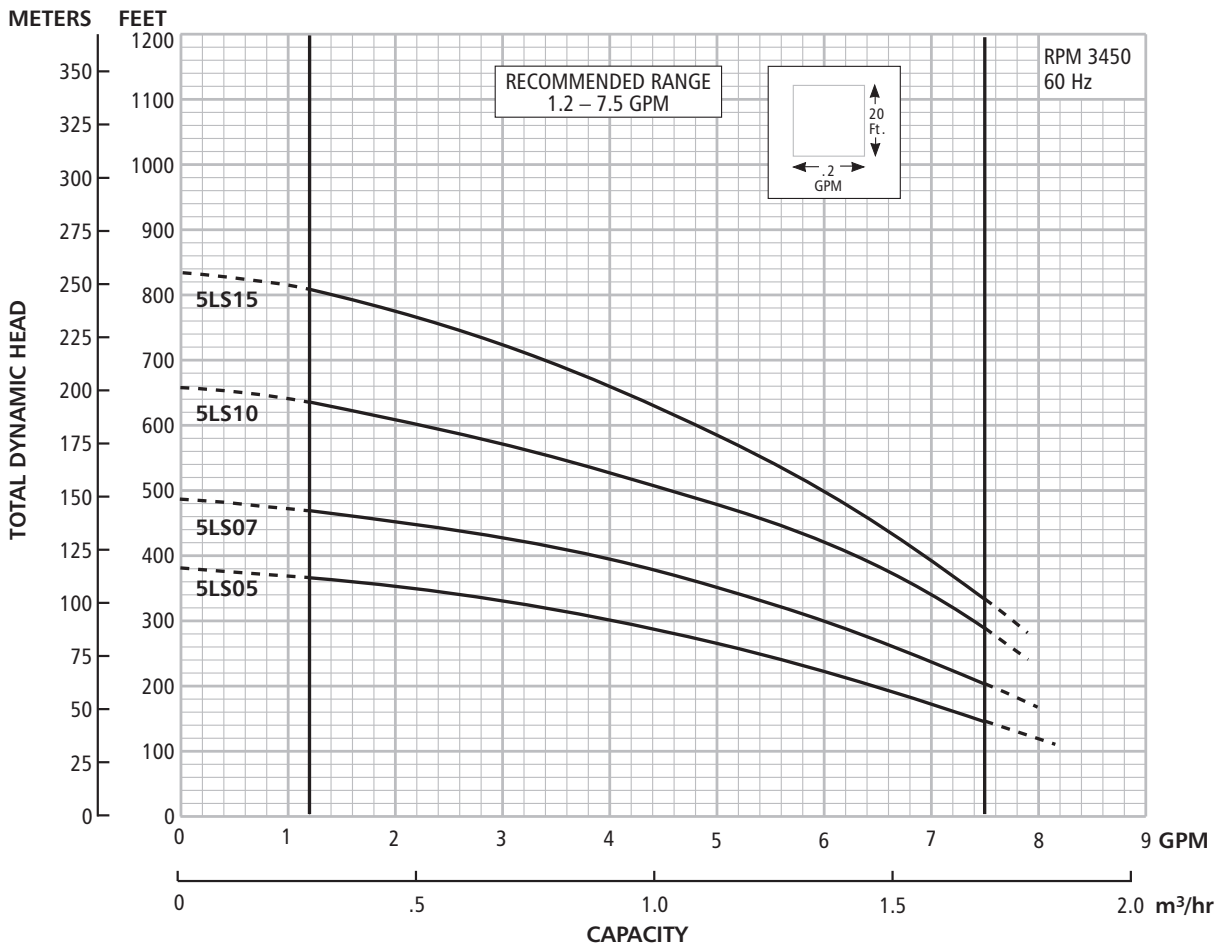


CentriPro Motor - Certified to NSF/ANSI 61, Annex G, Drinking Water System Components 4P49



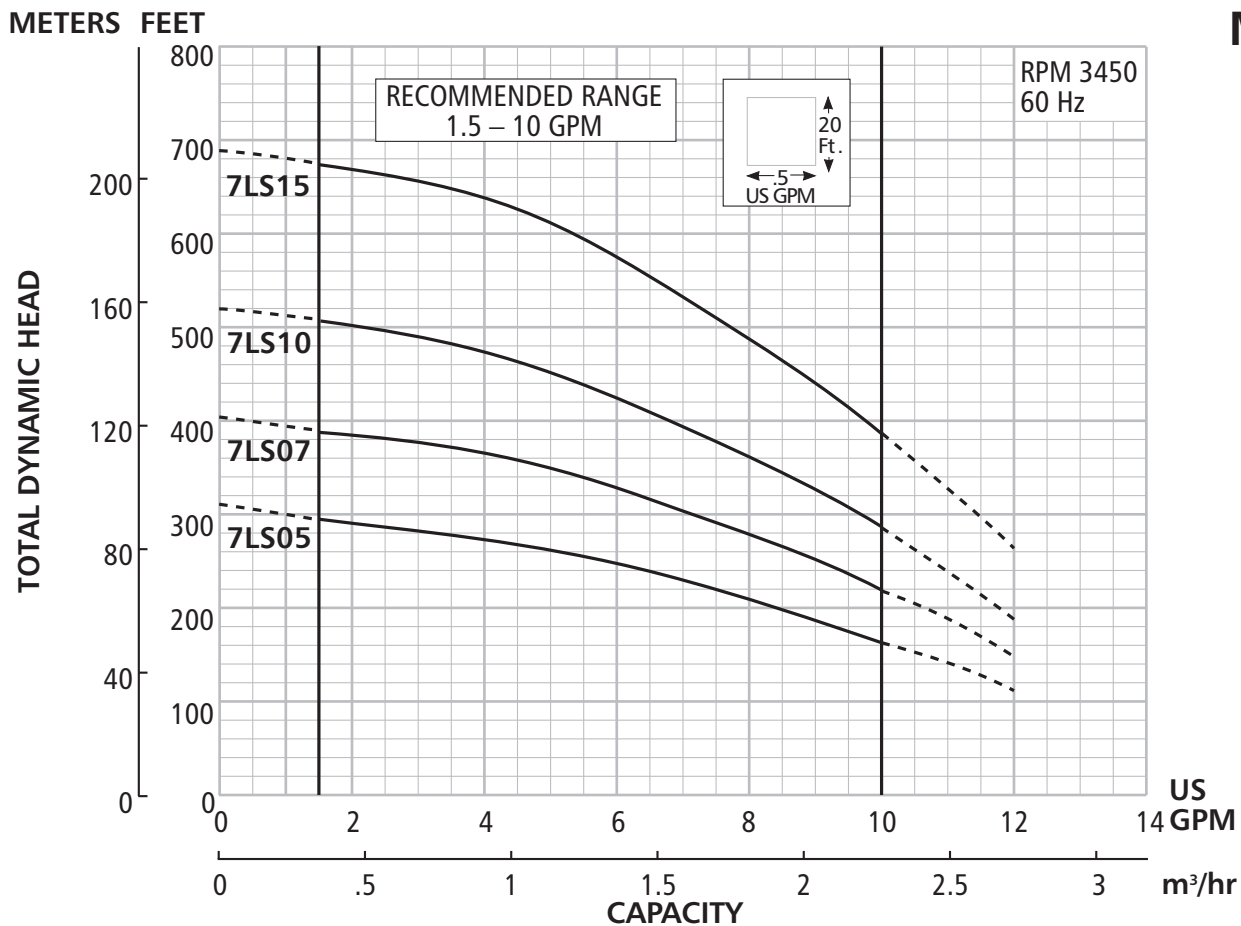
NSF/ANSI 372 - Drinking Water System Components - Lead Content

CLASS 6853 01 - Low Lead Content Certification Program - Plumbing Products

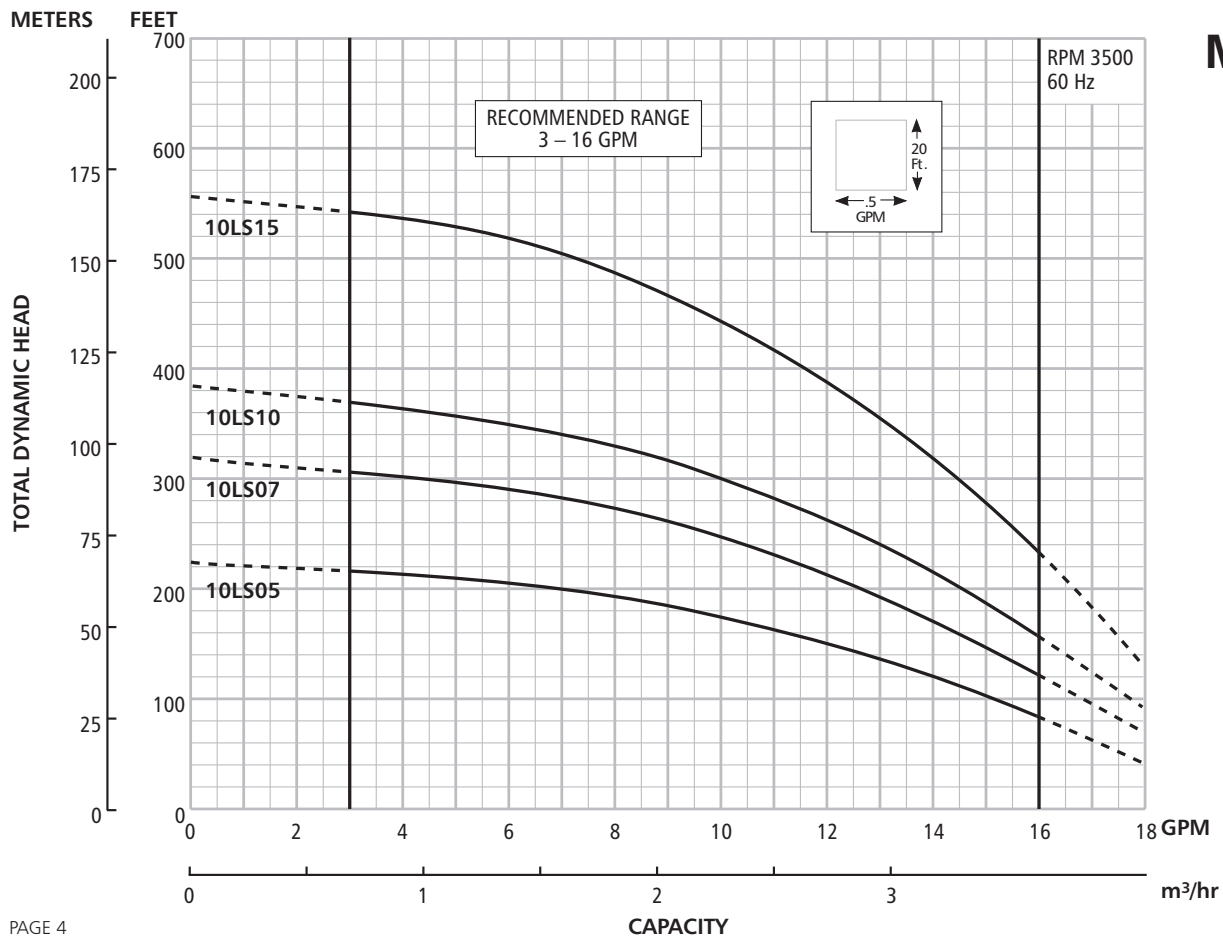


Model 5LS

Model 7LS



Model 10LS



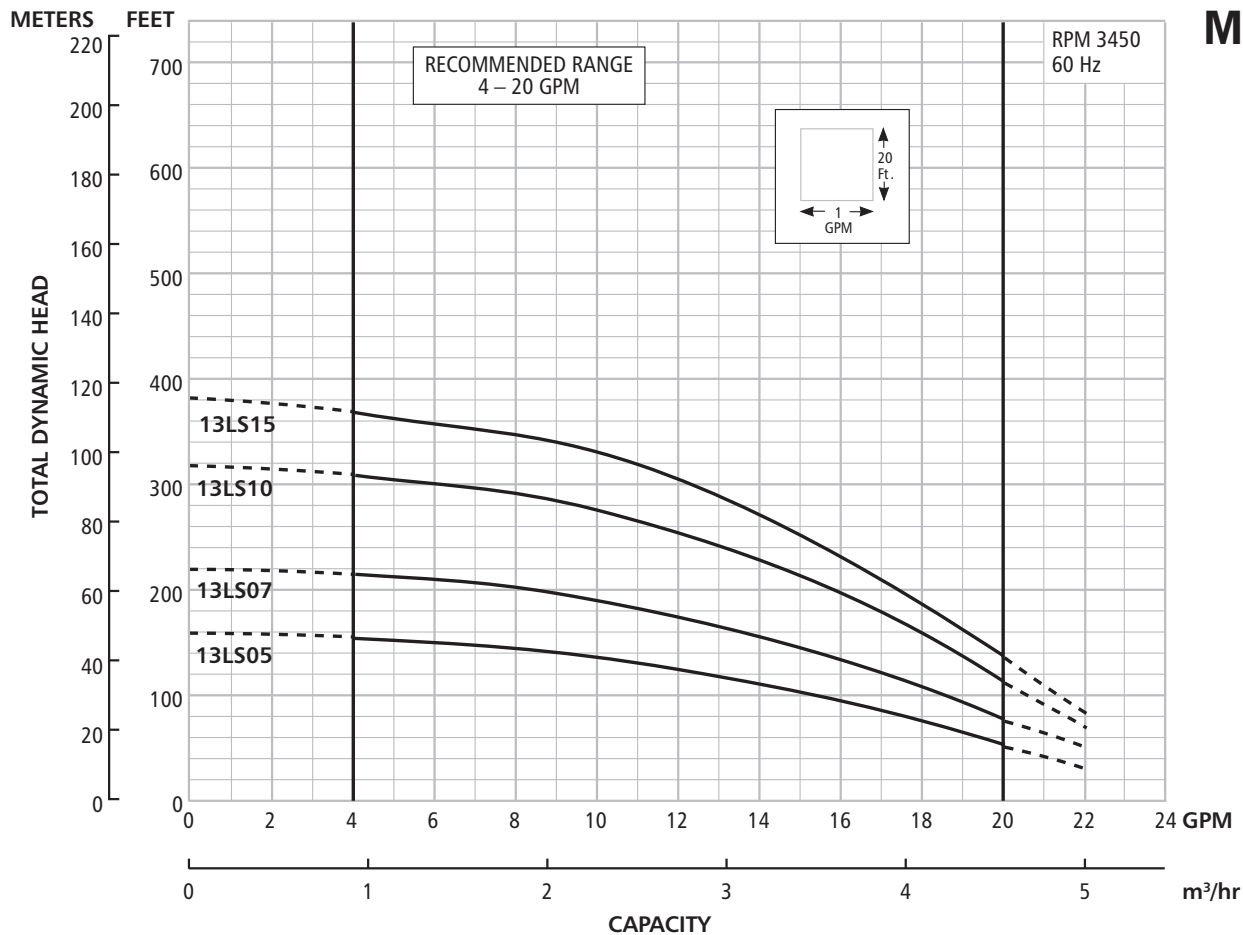
MODEL 10LS

SELECTION CHART

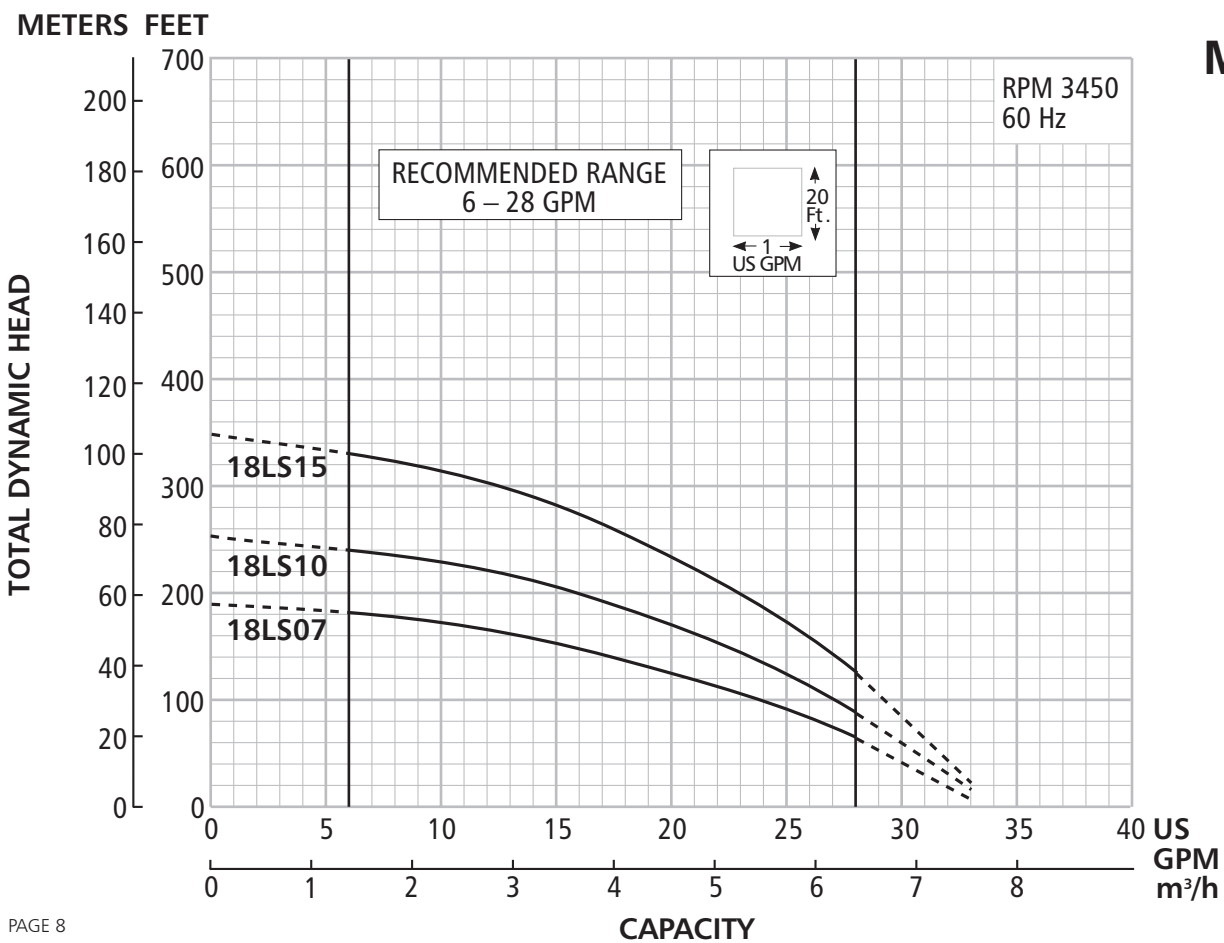
Horsepower Range ½ – 1½, Recommended Range 3 – 16 GPM, 60 Hz, 3450 RPM

| Pump Model | HP | PSI | Depth to Water in Feet/Ratings in US GPM (Gallons per Minute) | | | | | | | | | | | | | | | | | | | | | |
|--------------|----|-----|---|------|------|------|------|------|------|------|------|------|------|------|------|------|------|------|------|------|------|------|------|--|
| | | | 20 | 40 | 60 | 80 | 100 | 120 | 140 | 160 | 180 | 200 | 220 | 240 | 260 | 280 | 300 | 340 | 380 | 420 | 460 | 500 | 540 | |
| 10LS05 | ½ | 0 | | | | 16.0 | 15.3 | 14.3 | 12.8 | 11.3 | 9.0 | 6.4 | | | | | | | | | | | | |
| | | 20 | | 15.9 | 14.9 | 13.8 | 12.5 | 10.8 | 8.3 | 4.8 | | | | | | | | | | | | | | |
| | | 30 | 15.7 | 14.6 | 13.5 | 12.3 | 10.5 | 7.8 | 4.0 | | | | | | | | | | | | | | | |
| | | 40 | 14.5 | 13.4 | 12.0 | 10.3 | 7.5 | 3.0 | | | | | | | | | | | | | | | | |
| | | 50 | 13.0 | 11.5 | 9.8 | 7.2 | | | | | | | | | | | | | | | | | | |
| | | 60 | 11.3 | 9.0 | 6.4 | | | | | | | | | | | | | | | | | | | |
| Shut-off PSI | | | 89 | 81 | 72 | 63 | 55 | 46 | 37 | 29 | 20 | 11 | | | | | | | | | | | | |
| 10LS07 | ¾ | 0 | | | | | | 16.0 | 15.2 | 14.3 | 13.4 | 12.5 | 11.5 | 10.3 | 9.0 | 7.0 | 4.0 | | | | | | | |
| | | 20 | | | | | 15.8 | 15.0 | 14.0 | 13.0 | 12.3 | 11.2 | 10.2 | 8.5 | 6.0 | | | | | | | | | |
| | | 30 | | | 15.7 | 14.8 | 13.9 | 12.8 | 12.0 | 11.0 | 9.8 | 8.2 | 5.5 | | | | | | | | | | | |
| | | 40 | | 15.6 | 14.7 | 13.8 | 12.7 | 11.9 | 10.8 | 9.7 | 8.1 | 5.2 | | | | | | | | | | | | |
| | | 50 | 15.3 | 14.4 | 13.5 | 12.6 | 11.6 | 10.5 | 9.4 | 7.5 | 4.8 | | | | | | | | | | | | | |
| | | 60 | 14.3 | 13.4 | 12.5 | 11.5 | 10.3 | 9.0 | 7.0 | 4.0 | | | | | | | | | | | | | | |
| Shut-off PSI | | | 130 | 121 | 113 | 104 | 95 | 87 | 78 | 69 | 61 | 52 | 43 | 35 | 26 | 17 | 9 | | | | | | | |
| 10LS10 | 1 | 0 | | | | | | | | 15.8 | 15.2 | 14.5 | 13.7 | 12.8 | 12.0 | 11.0 | 10.0 | 6.7 | | | | | | |
| | | 20 | | | | | | 15.7 | 14.9 | 14.3 | 13.5 | 12.7 | 11.7 | 10.6 | 9.6 | 8.1 | 6.5 | | | | | | | |
| | | 30 | | | | 16.0 | 15.6 | 14.8 | 14.2 | 13.3 | 12.5 | 11.6 | 10.4 | 9.4 | 7.8 | 5.5 | 3.0 | | | | | | | |
| | | 40 | | | 16.0 | 15.5 | 14.7 | 14.1 | 13.2 | 12.4 | 11.5 | 10.3 | 9.1 | 7.4 | 5.0 | 3.0 | | | | | | | | |
| | | 50 | | | 15.3 | 14.6 | 13.9 | 13.0 | 12.3 | 11.3 | 10.1 | 8.9 | 7.0 | 4.3 | | | | | | | | | | |
| | | 60 | 15.8 | 15.2 | 14.5 | 13.7 | 12.8 | 12.0 | 11.0 | 10.0 | 8.6 | 6.7 | 4.0 | | | | | | | | | | | |
| Shut-off PSI | | | 158 | 150 | 141 | 132 | 124 | 115 | 106 | 98 | 89 | 81 | 72 | 63 | 55 | 46 | 37 | 20 | | | | | | |
| 10LS15 | 1½ | 0 | | | | | | | | | | | | 15.7 | 15.3 | 14.8 | 14.4 | 13.3 | 12.2 | 10.9 | 9.3 | 7.1 | 3.0 | |
| | | 20 | | | | | | | | | | | | 16.0 | 15.6 | 15.2 | 14.7 | 14.3 | 13.7 | 13.2 | 11.9 | 10.6 | 6.5 | |
| | | 30 | | | | | | | | | | | | 15.9 | 15.5 | 15.2 | 14.6 | 14.2 | 13.5 | 13.1 | 12.6 | 11.3 | 9.7 | |
| | | 40 | | | | | | | | | | | | 15.8 | 15.5 | 15.1 | 14.6 | 14.2 | 13.5 | 13.0 | 12.5 | 11.8 | 10.3 | |
| | | 50 | | | | | | | 15.7 | 15.4 | 14.9 | 14.5 | 14.0 | 13.4 | 12.8 | 12.3 | 11.7 | 11.0 | 9.4 | 7.4 | 3.4 | | | |
| | | 60 | | | | | 15.7 | 15.3 | 14.8 | 14.4 | 13.9 | 13.3 | 12.8 | 12.2 | 11.6 | 10.9 | 10.1 | 8.1 | 5.6 | | | | | |
| Shut-off PSI | | | | | | | 197 | 188 | 180 | 171 | 162 | 154 | 144 | 136 | 128 | 119 | 110 | 93 | 76 | 58 | 41 | 24 | 6 | |

Model 13LS



Model 18LS



MODEL 13LS

SELECTION CHART

Horsepower Range 1/2 – 3, Recommended Range 4 – 20 GPM, 60 Hz, 3450 RPM

| Pump Model | HP | PSI | Depth to Water in Feet/Ratings in GPM (Gallons per Minute) | | | | | | | | | | | | | | | | | | | | | | | | | | | | |
|--------------|-------|-----|--|------|------|------|------|------|------|------|------|------|------|------|------|------|------|-----|-----|-----|-----|-----|-----|-----|-----|-----|-----|-----|-----|-----|--|
| | | | 20 | 40 | 60 | 80 | 100 | 120 | 140 | 160 | 180 | 200 | 220 | 240 | 260 | 280 | 300 | 340 | 380 | 420 | 460 | 500 | 540 | 580 | 620 | 660 | 700 | 740 | 780 | 820 | |
| 13LS05 | 1/2 | 0 | | | 19.0 | 17.5 | 15.3 | 12.5 | 8.2 | | | | | | | | | | | | | | | | | | | | | | |
| | | 20 | 18.8 | 16.5 | 14.5 | 12.0 | 8.0 | | | | | | | | | | | | | | | | | | | | | | | | |
| | | 30 | 16.0 | 13.4 | 11.0 | 4.1 | | | | | | | | | | | | | | | | | | | | | | | | | |
| | | 40 | 13.3 | 10.6 | 4.0 | | | | | | | | | | | | | | | | | | | | | | | | | | |
| | | 50 | 9.8 | | | | | | | | | | | | | | | | | | | | | | | | | | | | |
| | | 60 | | | | | | | | | | | | | | | | | | | | | | | | | | | | | |
| Shut-off PSI | | 60 | 52 | 43 | 35 | 26 | 17 | 9 | | | | | | | | | | | | | | | | | | | | | | | |
| 13LS07 | 3/4 | 0 | | | | 19.7 | 18.5 | 17.0 | 15.0 | 13.2 | 11.5 | 8.5 | | | | | | | | | | | | | | | | | | | |
| | | 20 | | 19.4 | 18.0 | 16.4 | 14.8 | 12.9 | 10.5 | 6.0 | | | | | | | | | | | | | | | | | | | | | |
| | | 30 | 18.9 | 17.5 | 16.0 | 14.6 | 12.5 | 10.0 | 5.0 | | | | | | | | | | | | | | | | | | | | | | |
| | | 40 | 17.4 | 15.9 | 14.4 | 12.4 | 9.7 | 4.0 | | | | | | | | | | | | | | | | | | | | | | | |
| | | 50 | 15.4 | 13.8 | 12.0 | 9.5 | | | | | | | | | | | | | | | | | | | | | | | | | |
| | | 60 | 13.2 | 11.5 | 8.5 | | | | | | | | | | | | | | | | | | | | | | | | | | |
| Shut-off PSI | | 86 | 78 | 69 | 61 | 52 | 43 | 35 | 26 | 17 | 8 | | | | | | | | | | | | | | | | | | | | |
| 13LS10 | 1 | 0 | | | | | | 19.6 | 18.4 | 17.6 | 16.6 | 15.4 | 14.1 | 12.8 | 11.4 | 9.5 | 6.0 | | | | | | | | | | | | | | |
| | | 20 | | | 20.0 | 19.4 | 18.5 | 17.2 | 16.3 | 15.0 | 13.8 | 12.5 | 11.0 | 8.5 | 4.0 | | | | | | | | | | | | | | | | |
| | | 30 | | 20.0 | 19.2 | 18.2 | 17.1 | 15.8 | 14.7 | 13.6 | 12.2 | 10.5 | 7.5 | | | | | | | | | | | | | | | | | | |
| | | 40 | 19.9 | 19.0 | 18.0 | 17.0 | 15.7 | 14.6 | 13.5 | 12.0 | 10.1 | 7.3 | | | | | | | | | | | | | | | | | | | |
| | | 50 | 18.8 | 17.8 | 16.8 | 15.5 | 14.5 | 13.0 | 11.6 | 9.9 | 7.0 | | | | | | | | | | | | | | | | | | | | |
| | | 60 | 17.6 | 16.6 | 15.4 | 14.1 | 12.8 | 11.4 | 9.5 | 6.0 | | | | | | | | | | | | | | | | | | | | | |
| Shut-off PSI | | 128 | 119 | 110 | 102 | 93 | 84 | 76 | 67 | 58 | 50 | 41 | 32 | 24 | 15 | 6 | | | | | | | | | | | | | | | |
| 13LS15 | 1 1/2 | 0 | | | | | | | 19.7 | 18.9 | 18.2 | 17.3 | 16.3 | 15.2 | 14.2 | 13.2 | 12.1 | 8.7 | | | | | | | | | | | | | |
| | | 20 | | | | | 19.5 | 18.4 | 17.9 | 17.0 | 16.0 | 15.1 | 14.1 | 12.9 | 11.8 | 10.2 | 8.8 | | | | | | | | | | | | | | |
| | | 30 | | | 20.2 | 19.4 | 18.6 | 17.6 | 16.8 | 15.8 | 14.9 | 14.0 | 12.6 | 11.5 | 9.9 | 7.9 | 4.0 | | | | | | | | | | | | | | |
| | | 40 | | 20.0 | 19.3 | 18.5 | 17.5 | 16.6 | 15.7 | 14.8 | 13.9 | 12.5 | 11.4 | 9.5 | 7.3 | 4.0 | | | | | | | | | | | | | | | |
| | | 50 | 20.0 | 19.1 | 18.3 | 17.4 | 16.4 | 15.5 | 14.5 | 13.6 | 12.3 | 11.0 | 9.2 | 6.3 | | | | | | | | | | | | | | | | | |
| | | 60 | 18.9 | 18.2 | 17.3 | 16.3 | 15.2 | 14.2 | 13.3 | 12.1 | 11.0 | 8.7 | 5.6 | | | | | | | | | | | | | | | | | | |
| Shut-off PSI | | 156 | 147 | 139 | 130 | 121 | 113 | 104 | 95 | 87 | 78 | 69 | 61 | 52 | 43 | 35 | 17 | | | | | | | | | | | | | | |

MODEL 18LS

SELECTION CHART

Horsepower Range $\frac{3}{4}$ – $1\frac{1}{2}$, Recommended Range 6 – 28 GPM, 60 Hz, 3450 RPM

| Pump Model | HP | PSI | Depth to Water in Feet/Ratings in US GPM (Gallons per Minute) | | | | | | | | | | | | | | | |
|--------------|----------------|-----|---|------|------|------|------|------|------|------|------|------|------|------|------|------|------|--|
| | | | 20 | 40 | 60 | 80 | 100 | 120 | 140 | 160 | 180 | 200 | 220 | 240 | 260 | 280 | 300 | |
| 18LS07 | $\frac{3}{4}$ | 0 | | | 28.2 | 26.5 | 24.0 | 21.0 | 17.9 | 13.5 | | | | | | | | |
| | | 20 | 27.7 | 25.9 | 23.0 | 20.0 | 16.5 | 10.8 | | | | | | | | | | |
| | | 30 | 25.0 | 22.0 | 18.8 | 15.7 | 9.5 | | | | | | | | | | | |
| | | 40 | 22.2 | 18.9 | 15.1 | 9.0 | | | | | | | | | | | | |
| | | 50 | 18.4 | 15.0 | 7.5 | | | | | | | | | | | | | |
| | | 60 | 13.5 | 5.0 | | | | | | | | | | | | | | |
| Shut-off PSI | | | 74 | 66 | 58 | 49 | 40 | 32 | 23 | 14 | | | | | | | | |
| 18LS10 | 1 | 0 | | | | | 27.0 | 25.5 | 23.6 | 21.2 | 18.8 | 15.9 | 12.0 | | | | | |
| | | 20 | | 28.0 | 26.6 | 25.1 | 22.7 | 20.0 | 17.6 | 14.0 | 10.0 | | | | | | | |
| | | 30 | 27.9 | 26.1 | 24.3 | 22.2 | 19.8 | 17.1 | 13.8 | 8.3 | | | | | | | | |
| | | 40 | 26.0 | 24.1 | 22.0 | 19.7 | 17.0 | 13.1 | 8.0 | | | | | | | | | |
| | | 50 | 24.0 | 22.0 | 19.1 | 16.5 | 13.0 | 7.1 | | | | | | | | | | |
| | | 60 | 21.0 | 18.6 | 15.8 | 12.0 | | | | | | | | | | | | |
| Shut-off PSI | | | 103 | 94 | 86 | 77 | 68 | 60 | 51 | 42 | 34 | 25 | 16 | | | | | |
| 18LS15 | $1\frac{1}{2}$ | 0 | | | | | | 28.4 | 27.2 | 26.0 | 24.8 | 23.0 | 21.4 | 19.6 | 17.5 | 15.0 | 12.1 | |
| | | 20 | | | | | 27.8 | 26.8 | 25.4 | 24.0 | 22.2 | 20.6 | 18.8 | 16.7 | 14.0 | 10.0 | | |
| | | 30 | | | | 27.7 | 26.5 | 25.3 | 23.8 | 22.0 | 20.2 | 18.5 | 16.1 | 13.5 | 10.0 | | | |
| | | 40 | | 27.5 | 26.3 | 25.0 | 23.6 | 22.0 | 20.1 | 18.1 | 16.0 | 13.1 | 9.5 | | | | | |
| | | 50 | 27.6 | 26.4 | 25.0 | 23.4 | 21.8 | 20.0 | 18.0 | 15.5 | 13.0 | 9.2 | | | | | | |
| | | 60 | 26.0 | 24.6 | 23.0 | 21.2 | 19.5 | 17.5 | 15.0 | 12.0 | 7.9 | | | | | | | |
| Shut-off PSI | | | 143 | 134 | 126 | 117 | 108 | 100 | 91 | 82 | 74 | 65 | 56 | 48 | 39 | 30 | 22 | |

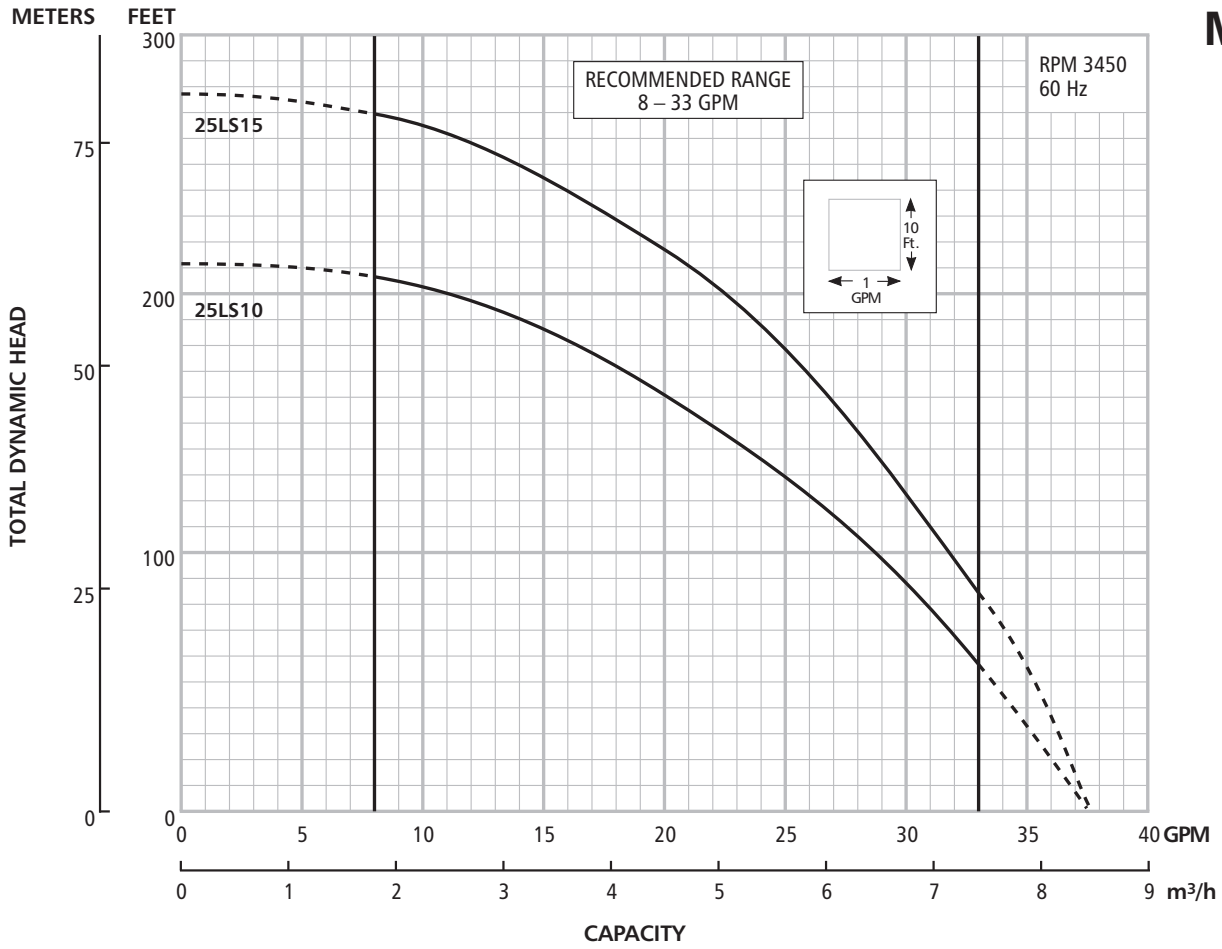
MODEL 25LS

SELECTION CHART

Horsepower Range 1, Recommended Range 8 – 33 GPM, 60 Hz, 3450 RPM

| Pump Model | HP | PSI | Depth to Water in Feet/Ratings in GPM (Gallons per Minute) | | | | | | | | | | | | | | | |
|--------------|----------------|-----|--|------|------|------|------|------|------|------|------|------|------|------|------|------|--|--|
| | | | 20 | 40 | 60 | 80 | 100 | 120 | 140 | 160 | 180 | 200 | 220 | 240 | 260 | | | |
| 25LS10 | 1 | 0 | | | | 32.8 | 30.8 | 28.6 | 26.2 | 23.5 | 20.0 | 16.2 | 11.0 | | | | | |
| | | 20 | 31.8 | 30.0 | 27.5 | 25.2 | 22.0 | 19.0 | 15.0 | 8.0 | | | | | | | | |
| | | 30 | 29.6 | 27.2 | 25.0 | 21.6 | 18.0 | 14.0 | | | | | | | | | | |
| | | 40 | 27.1 | 24.9 | 21.5 | 17.9 | 13.9 | | | | | | | | | | | |
| | | 50 | 24.3 | 21.0 | 17.5 | 13.0 | | | | | | | | | | | | |
| | | 60 | 20.0 | 16.2 | 11.0 | | | | | | | | | | | | | |
| Shut-off PSI | | | 82 | 74 | 65 | 56 | 48 | 39 | 30 | 22 | 13 | 4 | | | | | | |
| 25LS15 | $1\frac{1}{2}$ | 0 | | | | | 33.0 | 31.8 | 30.3 | 28.8 | 26.9 | 24.8 | 22.0 | 19.8 | 16.5 | 11.0 | | |
| | | 20 | | 32.6 | 31.2 | 29.6 | 28.0 | 26.0 | 23.8 | 21.0 | 18.1 | 14.8 | 8.0 | | | | | |
| | | 30 | 32.5 | 31.0 | 29.5 | 27.6 | 25.6 | 23.2 | 20.9 | 17.9 | 14.0 | | | | | | | |
| | | 40 | 30.9 | 29.4 | 27.5 | 25.5 | 23.1 | 20.8 | 17.7 | 13.6 | | | | | | | | |
| | | 50 | 29.0 | 27.2 | 25.1 | 22.9 | 20.4 | 17.2 | 13.0 | | | | | | | | | |
| | | 60 | 26.9 | 24.8 | 22.0 | 19.8 | 16.5 | 11.0 | | | | | | | | | | |
| Shut-off PSI | | | 111 | 103 | 94 | 85 | 77 | 68 | 59 | 51 | 42 | 33 | 25 | 16 | 7 | | | |

Model 25LS





Xylem, Inc.
2881 East Bayard Street Ext., Suite A
Seneca Falls, NY 13148
Phone: (866) 325-4210
Fax: (888) 322-5877
www.xylem.com/brands/gouldswatertechnology

Goulds is a registered trademark of Goulds Pumps, Inc. and is used under license.
CentriPro is a trademark of Xylem Inc. or one of its subsidiaries.
Noryl and Lexan are trademarks of GE Plastic.
© 2012 Xylem Inc. B5-25LS March 2012