



TECHNICAL BROCHURE

B5-25LSEXT

FEATURES

Powered for Continuous Operation: All ratings are within the working limits of the motor as recommended by the motor manufacturer. Pump can be operated continuously without damage to the motor.

Field Serviceable: Pump can be rebuilt in the field to like new condition with common tools and readily available spare parts. **NOTE: The pump has left hand casing threads.**

Sand Handling Design: Our face clearance, floating impeller stack has proven itself for over 40 years as a superior sand handling, durable pump design.

Stainless Steel Metal Parts: AISI types 302, 303 and 304 are corrosion resistant, non-toxic and non-leaching.

FDA Compliant Non-Metallic Parts: Impellers, diffusers and bearing spiders are constructed of glass-filled engineered composites. They are corrosion resistant and non-toxic.

Discharge Head: High profile cast lead-free silicon bronze for superior strength and durability. Cast in loops for safety line.

Motor Adapter: Cast lead-free silicon bronze is extremely rigid for accurate alignment of liquid end to motor. Generous space for removal of motor mounting nuts with regular open-end wrench.

Bowls: Stainless steel for strength and abrasive resistance.

Check Valve: Screws into discharge head from the top, easily removed for drain-back systems or replacement without disassembling the pump. Spring loaded, o-ring poppet design for positive seal in all conditions.

Stainless Steel Casing: Polished stainless steel is strong, attractive and corrosion resistant.

Hex Shaft Design: Six sided shafts for positive impeller drive.

Shaft Coupling: Exposed for ease of field alignment to motor shaft and to check pump rotation.

Engineered Polymer Bearings: The proprietary, engineered polymer bearing material is extremely strong and highly resistant to abrasion and wear. The enclosed design upper bearing is mounted in a durable Noryl® bearing spider for excellent abrasion resistance.

5LS, 7LS, 10LS, 13LS, 18LS, 25LS Extension

5-25 GPM, ½ - 5 HP, 60 HZ, SUBMERSIBLE PUMPS

WATER END DATA

Series	Model	Required H.P.	Stages	Water End	
				Length (in)	Wt (lbs)
5LS	5LS05	.5	12	15.0	9
	5LS07	.75	15	17.0	11
	5LS10	1	20	21.7	13
	5LS15	1.5	26	25.8	15
	5LS20	2	33	31.6	19
7LS	7LS05	.5	10	13.8	7
	7LS07	.75	13	16.0	8
	7LS10	1	17	18.8	9
	7LS15	1.5	22	23.6	12
	7LS20	2	27	27.2	13
	7LS30	3	34	33.2	18
10LS	10LS05	.5	7	11.5	7
	10LS07	.75	10	13.6	8
	10LS10	1	12	15.0	9
	10LS15	1.5	17	18.4	12
	10LS20	2	20	21.7	13
	10LS30	3	27	27.5	18
	10LS50	5	42	40.2	24
	13LS	13LS05	.5	5	10.1
13LS07		.75	7	11.5	7
13LS10		1	10	13.6	8
13LS15		1.5	12	15.0	9
13LS20		2	17	18.4	12
13LS30		3	21	22.3	15
18LS	18LS07	.75	6	11.8	7
	18LS10	1	8	13.5	8
	18LS15	1.5	11	16.1	10
	18LS20	2	14	18.6	11
	18LS30	3	19	24.1	15
	18LS50	5	30	34.4	21
25LS	25LS10	1	7	13.4	8
	25LS15	1.5	9	15.3	9
	25LS20	2	11	17.2	10
	25LS30	3	15	20.9	14
	25LS50	5	26	33.4	21

SPECIFICATIONS

Model	Flow Range US GPM	Horsepower Range	Best Efficiency US GPM	Discharge Connection	Minimum Well Size	Rotation ^①
5LS	1.2 – 7.5	½ – 2	5	1¼	4"	CCW
7LS	1.5 – 10	½ – 3	7	1¼	4"	CCW
10LS	3 – 16	½ – 5	10	1¼	4"	CCW
13LS	4 – 20	½ – 3	13	1¼	4"	CCW
18LS	6 – 28	¾ – 5	18	1¼	4"	CCW
25LS	8 – 33	1 – 5	25	1¼	4"	CCW

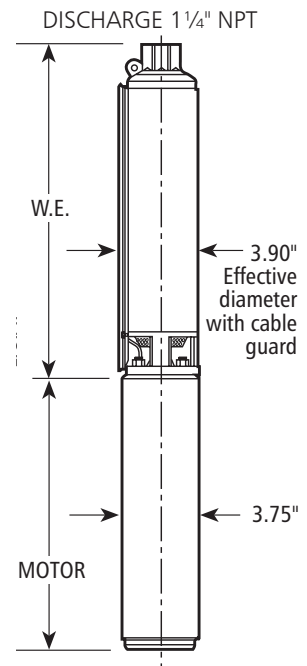
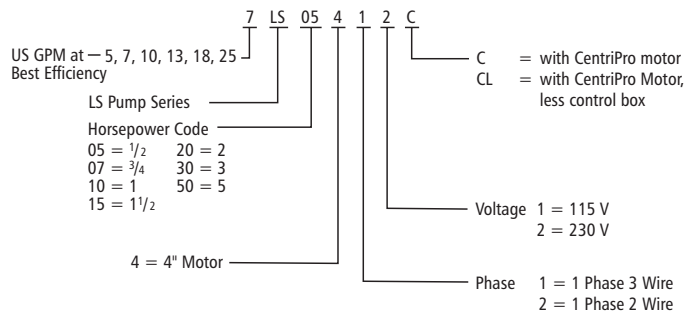
① Rotation is counterclockwise when observed from pump discharge end.

"LS" SERIES MATERIALS OF CONSTRUCTION

Part Name	Material
Discharge Head	Silicon Bronze
Check Valve Poppet	Ulthrane
Check Valve O-ring	Ethylene Propylene
Check Valve Retaining Spring	AISI 302 SS
Bearing Spider – Upper	Noryl® GFN2
Bearing	Proprietary Engineered Polymer
Klipring	AISI 301 SS
Diffuser	Lexan®
Impeller	Noryl®
Bowl	AISI 304 SS
Intermediate Sleeve*	AISI 304 SS, Powder Metal
Intermediate Bearing Spider* – single casing	Glass Filled Engineered Composite
Intermediate Bearing Spider* – split casing	AISI 303 SS
Shim	AISI 304 SS
Screws – Cable Guard	AISI 304 SS
Motor Adapter	Silicon Bronze
Suction Strainer	Engineered Composite
Casing	AISI 304 SS
Shaft	
Coupling	AISI 304 SS, Powder Metal
Cable Guard	AISI 304 SS

*See repair parts for where used.

NOMENCLATURE



CENTRIPRO 4" SINGLE-PHASE MOTORS

Order No.	Type	HP	Volts	Length in. (mm)	Weight lb. (kg.)
M05421	2-wire PSC	.5	115	11.0 (279)	19.2 (8.7)
M05422		.5	230	11.0 (279)	19.2 (8.7)
M07422		.75		12.4 (314)	22.7 (10.3)
M10422		1		13.3 (337)	24.5 (11.1)
M15422		1.5		14.9 (378)	28.9 (13.1)
M05411	3-wire	.5	115	10.0 (253)	18.9 (8.6)
M05412		.5	230	9.7 (246)	18.1 (8.2)
M07412		.75		10.8 (275)	21.4 (9.7)
M10412		1		11.7 (297)	23.1 (10.5)
M15412		1.5		13.6 (345)	27.4 (12.4)
M20412		2		15.1 (383)	31.0 (14.1)
M30412		3		18.3 (466)	40.0 (18.1)
M50412		5		27.7 (703)	70.0 (31.8)

NEMA MOTOR

- Corrosion resistant stainless steel construction.
- Built-in surge arrestor is provided on single phase motors through 5 HP.
- Stainless steel splined shaft.
- Hermetically sealed windings.
- Replaceable motor lead assembly.
- NEMA mounting dimensions
- Control box is required with 3 wire single phase units.
- Three phase units require a magnetic starter with Class 10 overload protection.

CENTRIPRO 4" THREE-PHASE MOTORS

Order No.	HP	Volts	Length in. (mm)	Weight lb. (kg.)
M10432	1	230	11.7 (297)	23.1 (10.5)
M15432	1.5		11.7 (297)	23.1 (10.5)
M20432	2		13.8 (351)	27.4 (12.4)
M30432	3		15.3 (389)	32 (14.5)
M50432	5		21.7 (550)	55 (24.9)
M10434	1	460	11.7 (297)	23.1 (10.5)
M15434	1.5		11.7 (297)	23.1 (10.5)
M20434	2		13.8 (351)	27.4 (12.4)
M30434	3		15.3 (389)	32 (14.5)
M50434	5		21.7 (550)	55 (24.9)

AGENCY LISTINGS



Pump / Water End and CentriPro Motor - tested to UL778 and CAN 22.2 by CSA International (Canadian Standards Association)



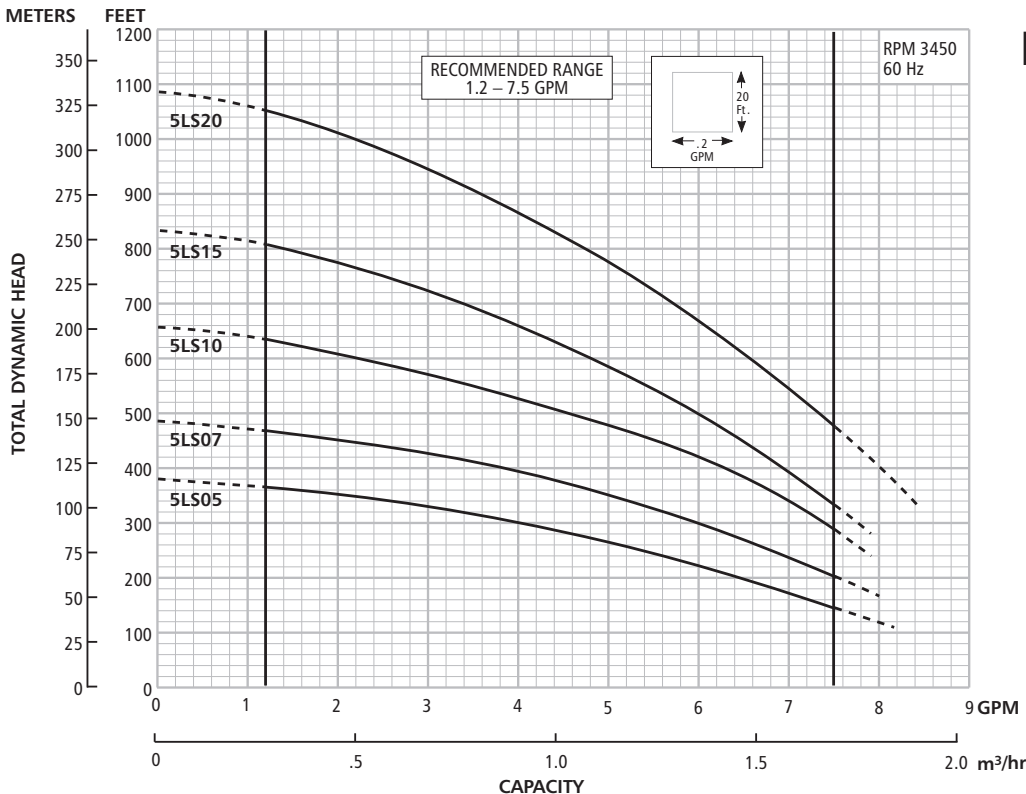
Pump/Water End - Drinking Water System Components - Certified to NSF/ANSI 61, Annex G



CentriPro Motor - Certified to NSF/ANSI 61, Annex G, Drinking Water System Components 4P49

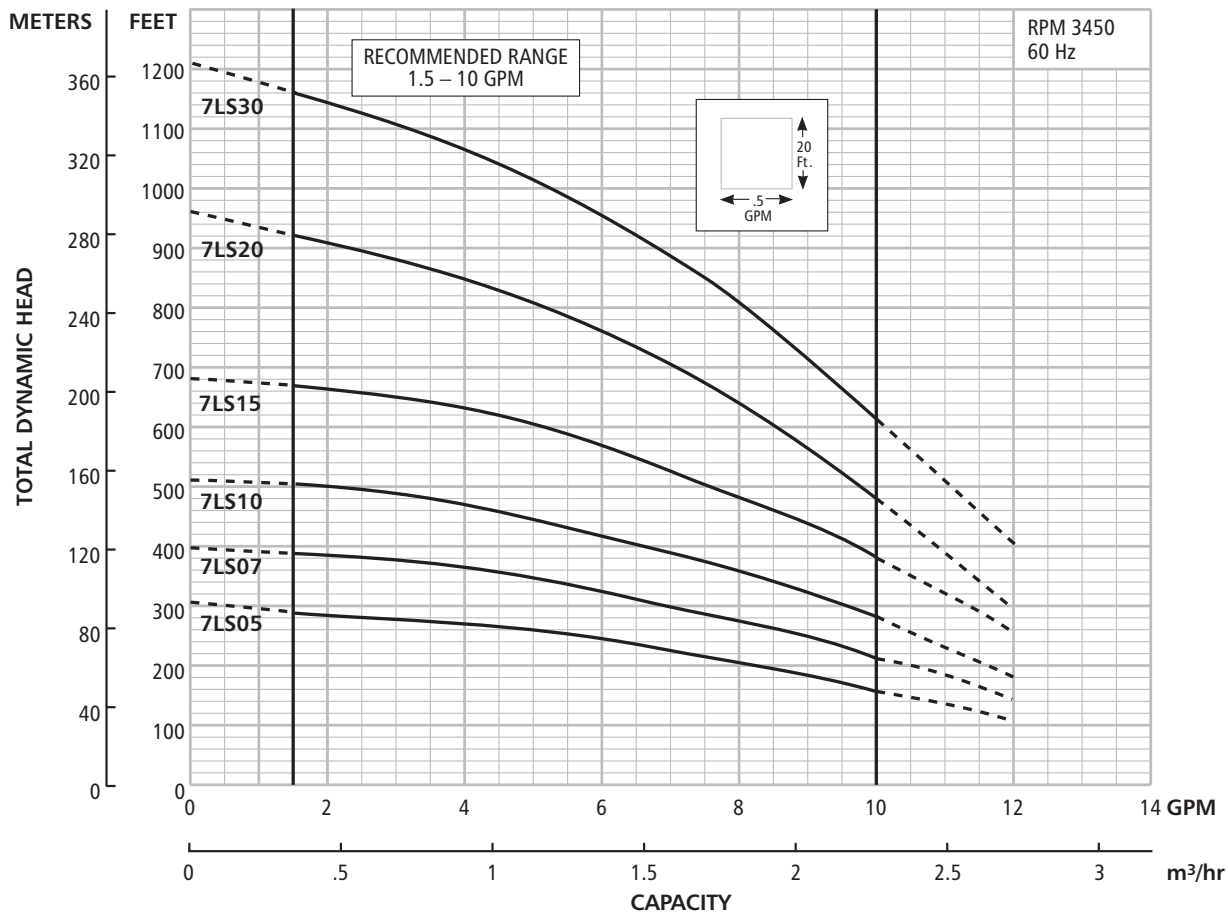


NSF/ANSI 372 – Drinking Water System Components – Lead Content
CLASS 6853 01 - Low Lead Content Certification Program - - Plumbing Products

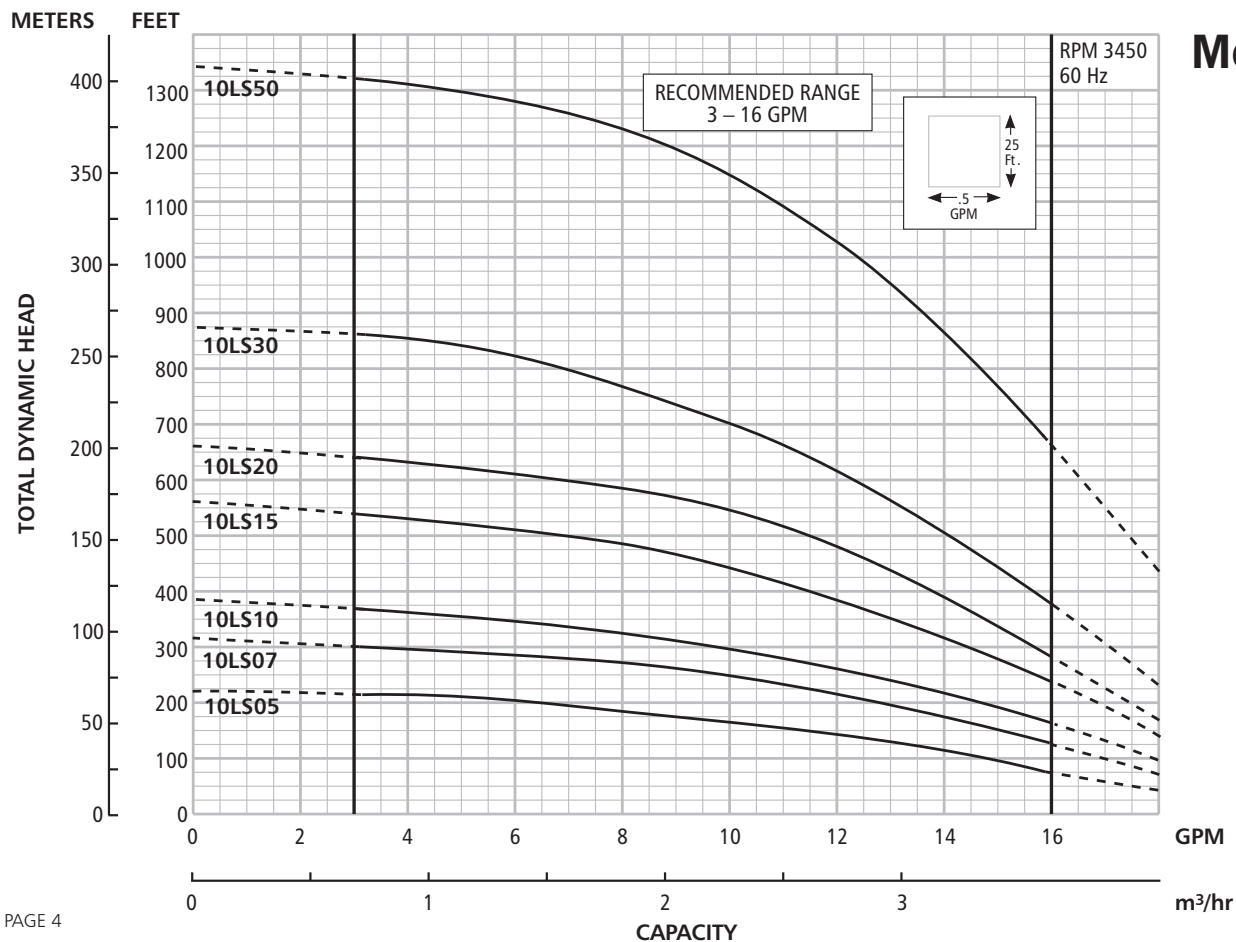


Model 5LS

Model 7LS



Model 10LS



MODEL 7LS

SELECTION CHART

Horsepower Range 1/2 – 1, Recommended Range 1.5 – 10 GPM, 60 Hz, 3450 RPM

Pump Model	HP	PSI	Depth to Water in Feet/Ratings in GPM (Gallons per Minute)																													
			20	40	60	80	100	120	140	160	180	200	220	240	260	280	300	320	340	360	380	400	420	440	460	480	500	540	580	620		
7LS05	1/2	0									10.1	9.2	8.3	7.4	6.3	5.0	3.4															
		20						9.8	9.0	8.1	7.1	6.0	4.6	2.7																		
		30					9.7	8.8	7.9	6.9	5.8	4.3	2.4																			
		40			10.4	9.6	8.7	7.8	6.7	5.6	4.1	2.0																				
		50		10.3	9.4	8.5	7.6	6.6	5.4	3.8	1.7																					
		60	10.2	9.3	8.4	7.5	6.4	5.1	3.5																							
Shut-off PSI			125	116	107	99	90	81	73	64	55	47	38	29	21	12																
7LS07	3/4	0														10.0	9.3	8.6	7.9	7.1	6.2	5.2	4.0	2.4								
		20								10.4	9.8	9.1	8.4	7.7	6.9	6.0	4.9	3.5	1.8													
		30							10.3	9.7	9.0	8.3	7.5	6.7	5.8	4.7	3.3	1.5														
		40						10.2	9.5	8.9	8.2	7.4	6.6	5.6	4.5	3.1																
		50					10.1	9.4	8.8	8.1	7.3	6.5	5.5	4.3	2.8																	
		60				10.0	9.3	8.7	7.9	7.2	6.3	5.3	4.1	2.5																		
Shut-off PSI					140	131	122	114	105	96	88	79	70	62	53	44	36	27	18	10												
7LS10	1	0														10.1	9.6	9.0	8.5	7.9	7.3	6.7	6.0	5.3	4.4	3.4	2.1					
		20												10.4	9.9	9.4	8.9	8.3	7.7	7.1	6.5	5.8	5.0	4.1	3.0	1.6						
		30											10.3	9.9	9.3	8.8	8.2	7.6	7.0	6.4	5.7	4.9	4.0	2.8								
		40										10.3	9.8	9.2	8.7	8.1	7.5	6.9	6.3	5.6	4.8	3.8	2.6									
		50									10.2	9.7	9.2	8.6	8.0	7.4	6.8	6.2	5.4	4.6	3.7	2.4										
		60								10.1	9.6	9.1	8.5	7.9	7.3	6.7	6.0	5.3	4.5	3.5	2.2											
Shut-off PSI								166	158	149	140	132	123	114	106	97	88	80	71	62	54	45	36	28	19	10						

Horsepower Range 1/2 – 3, Recommended Range 1.5 – 10 GPM, 60 Hz, 3450 RPM

Pump Model	HP	PSI	Depth to Water in Feet/Ratings in GPM (Gallons per Minute)																														
			200	220	240	260	280	300	340	380	420	460	500	540	580	620	660	700	740	780	820	860	900	940	980	1020	1060	1100	1140				
7LS15	1 1/2	0									10.2	9.3	8.5	7.6	6.8	5.9	4.7	2.6															
		20								10.1	9.2	8.3	7.5	6.7	5.8	4.5	2.1																
		30							10.4	9.6	8.7	7.8	7.0	6.2	5.1	3.3																	
		40						10.3	9.9	9.1	8.2	7.4	6.6	5.6	4.2	1.6																	
		50				10.3	9.9	9.4	8.6	7.7	6.9	6.0	4.9	2.9																			
		60			10.2	9.8	9.4	8.9	8.1	7.2	6.4	5.4	3.9																				
Shut-off PSI				194	186	177	168	151	134	116	99	82	64	47	30	12																	
7LS20	2	0														9.8	9.3	8.7	8.4	7.8	7.1	6.3	5.4	4.5	3.5	2.2							
		20													9.8	9.3	8.7	8.4	7.7	6.9	6.2	5.3	4.3	3.2	2.8								
		30												9.9	9.5	9.0	8.5	7.9	7.2	6.4	5.7	4.4	3.7										
		40									10.0	9.7	9.2	8.7	8.3	7.5	6.7	6.0	5.2	4.1	3.0												
		50									9.9	9.4	8.9	8.5	7.8	7.2	6.3	5.5	4.7	3.5													
		60								10.0	9.6	9.1	8.7	8.2	7.4	6.6	5.8	5.0	4.0														
Shut-off PSI								268	251	234	216	199	182	165	147	130	113	95	80	61													
7LS30	3	0															9.8	9.5	9.2	8.7	8.3	7.9	7.4	6.8	6.2	5.4	4.7	3.9	3.0	2.0			
		20															9.8	9.4	9.2	8.7	8.3	7.8	7.2	6.7	6.2	5.3	4.5	3.7	3.3	1.7			
		30																10.0	9.6	9.2	8.8	8.5	8.0	7.5	6.9	6.3	5.7	4.8	4.1	3.2	2.3		
		40																10.0	9.7	9.4	9.0	8.6	8.2	7.7	7.2	6.6	5.9	5.2	4.4	3.6	2.7	1.7	
		50																9.9	9.5	9.2	8.7	8.4	7.9	7.4	6.8	6.3	5.5	4.8	3.9	3.1	2.2		
		60																10.0	9.7	9.3	9.0	8.6	8.1	7.6	7.0	6.5	5.8	5.1	4.2	3.4	2.5	1.5	
Shut-off PSI																320	303	286	268	251	234	216	199	182	165	147	130	113	95	78	61	43	27

Residential Water Systems

MODEL 10LS

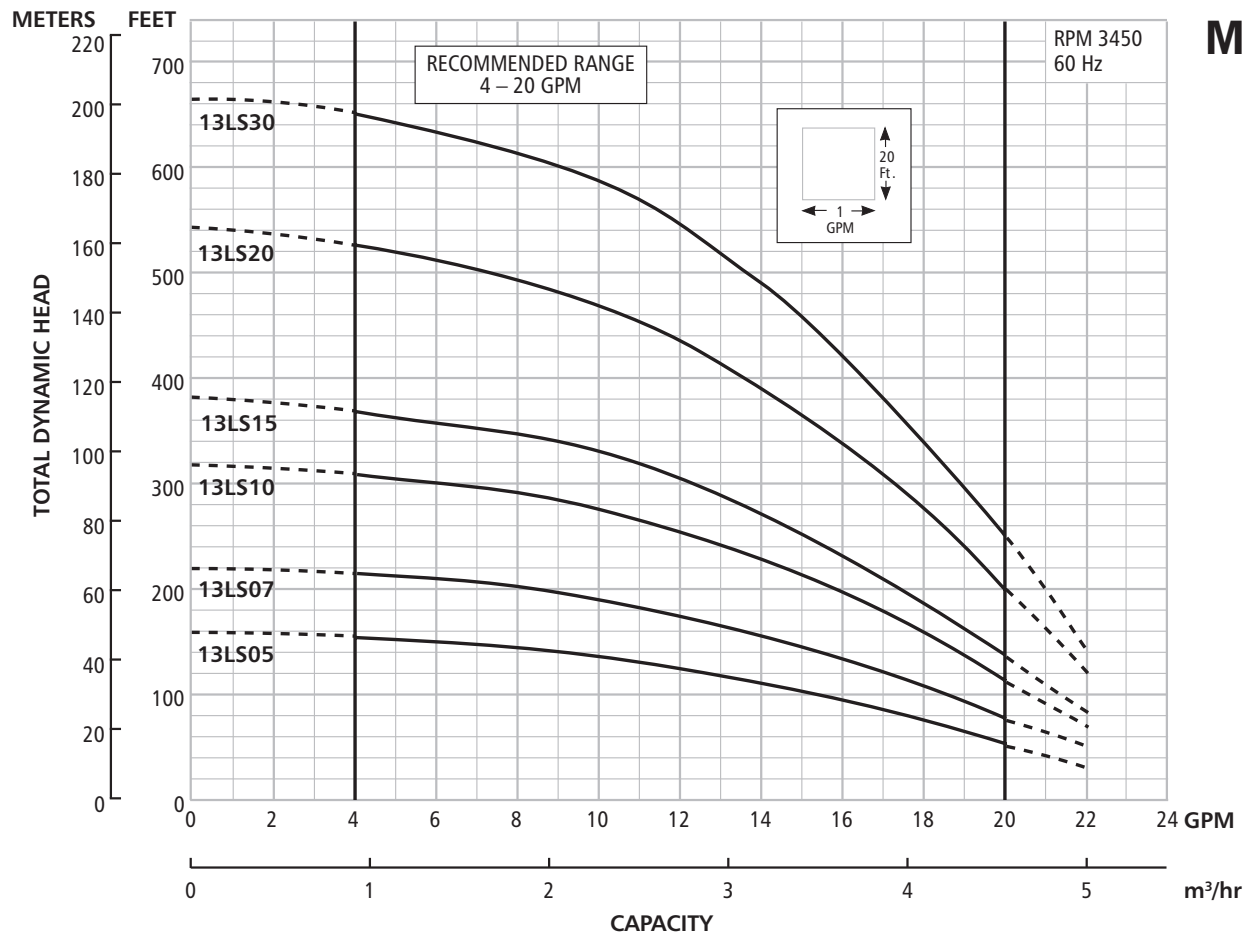
SELECTION CHART

Horsepower Range ½ – 3, Recommended Range 3 – 16 GPM, 60 Hz, 3450 RPM

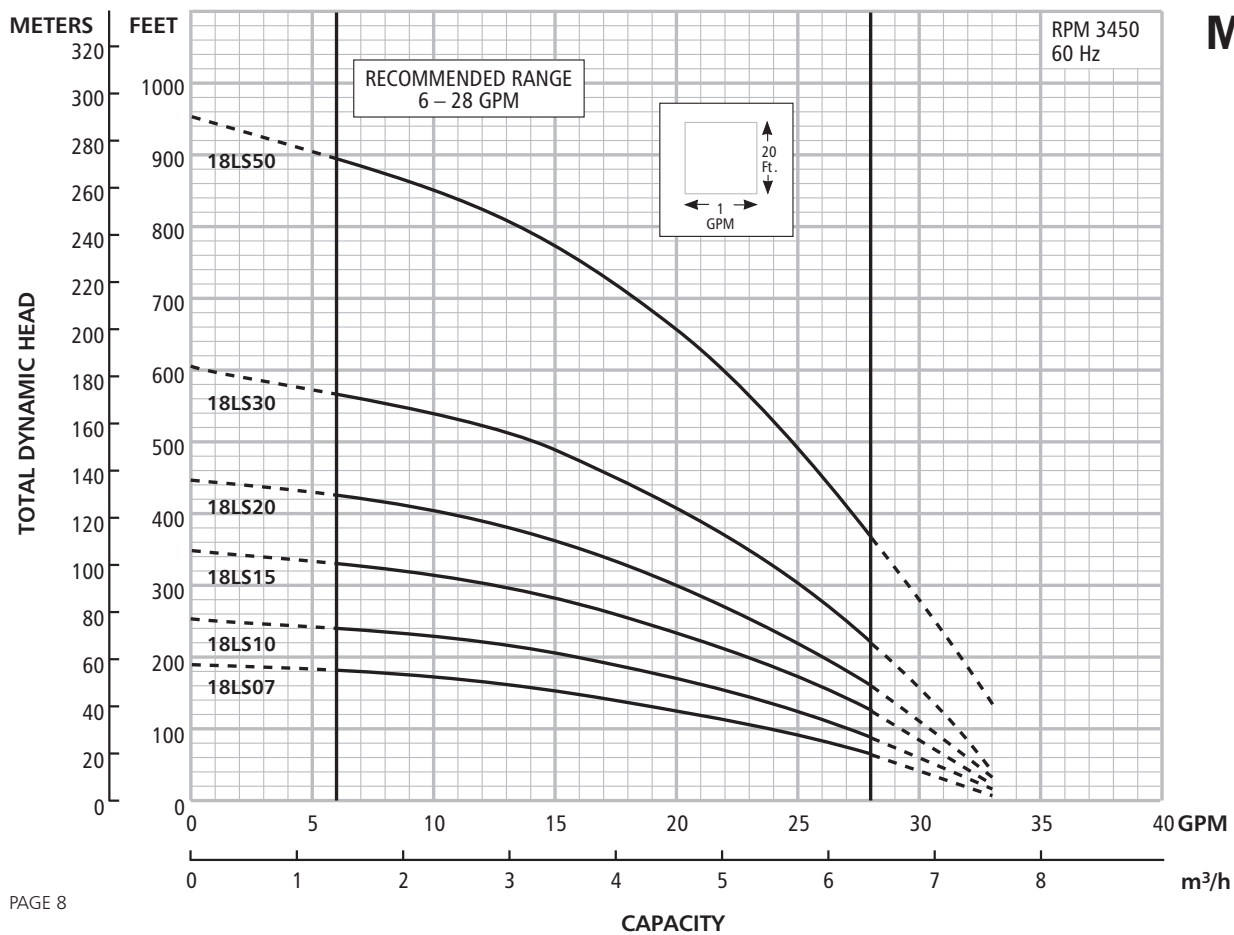
Pump Model	HP	PSI	Depth to Water in Feet/Ratings in GPM (Gallons per Minute)																													
			20	40	60	80	100	120	140	160	180	200	220	240	260	280	300	340	380	420	460	500	540	580	620	660	700	740	780	820		
10LS05	½	0				16.0	15.3	14.3	12.8	11.3	9.0	6.4																				
		20		15.9	14.9	13.8	12.5	10.8	8.3	4.8																						
		30	15.7	14.6	13.5	12.3	10.5	7.8	4.0																							
		40	14.5	13.4	12.0	10.3	7.5	3.0																								
		50	13.0	11.5	9.8	7.2																										
		60	11.3	9.0	6.4																											
Shut-off PSI			89	81	72	63	55	46	37	29	20	11																				
10LS07	¾	0						16.0	15.2	14.3	13.4	12.5	11.5	10.3	9.0	7.0	4.0															
		20				15.8	15.0	14.0	13.0	12.3	11.2	10.2	8.5	6.0																		
		30			15.7	14.8	13.9	12.8	12.0	11.0	9.8	8.2	5.5																			
		40		15.6	14.7	13.8	12.7	11.9	10.8	9.7	8.1	5.2																				
		50	15.3	14.4	13.5	12.6	11.6	10.5	9.4	7.5	4.8																					
		60	14.3	13.4	12.5	11.5	10.3	9.0	7.0	4.0																						
Shut-off PSI			130	121	113	104	95	87	78	69	61	52	43	35	26	17	9															
10LS10	1	0								15.8	15.2	14.5	13.7	12.8	12.0	11.0	10.0	6.7														
		20						15.7	14.9	14.3	13.5	12.7	11.7	10.6	9.6	8.1	6.5															
		30					16.0	15.6	14.8	14.2	13.3	12.5	11.6	10.4	9.4	7.8	5.5	3.0														
		40			16.0	15.5	14.7	14.1	13.2	12.4	11.5	10.3	9.1	7.4	5.0	3.0																
		50			15.3	14.6	13.9	13.0	12.3	11.3	10.1	8.9	7.0	4.3																		
		60	15.8	15.2	14.5	13.7	12.8	12.0	11.0	10.0	8.6	6.7	4.0																			
Shut-off PSI			158	150	141	132	124	115	106	98	89	81	72	63	55	46	37	20														
10LS15	1½	0											15.7	15.3	14.8	14.4	13.3	12.2	10.9	9.3	7.1	3.0										
		20											16.0	15.6	15.2	14.7	14.3	13.7	13.2	11.9	10.6	9.0	6.5									
		30											15.9	15.5	15.2	14.6	14.2	13.5	13.1	12.6	11.3	9.7	7.6	4.0								
		40								15.8	15.5	15.1	14.6	14.2	13.5	13.0	12.5	11.8	10.3	8.8	6.0											
		50						15.7	15.4	14.9	14.5	14.0	13.4	12.8	12.3	11.7	11.0	9.4	7.4	3.4												
		60					15.7	15.3	14.8	14.4	13.9	13.3	12.8	12.2	11.6	10.9	10.1	8.1	5.6													
Shut-off PSI						197	188	180	171	162	154	144	136	128	119	110	93	76	58	41	24	6										
10LS20	2	0														16.0	15.7	14.9	14.2	13.4	12.4	11.4	10.0	8.2	5.8							
		20													15.9	15.5	15.3	14.8	14.1	13.2	12.2	11.0	9.9	8.0	5.2							
		30													15.8	15.4	15.1	14.7	14.4	13.5	12.7	11.7	10.3	8.8	6.5							
		40												15.8	15.4	15.1	14.7	14.4	14.0	12.9	12.2	10.9	9.5	7.8	3.9							
		50								16.1	15.7	15.3	15.0	14.6	14.2	14.0	13.4	12.5	11.5	10.1	8.5	6.0										
		60						16.0	15.7	15.3	14.9	14.5	14.2	13.8	13.4	12.8	11.8	10.7	9.1	7.2	3.4											
Shut-off PSI								225	216	208	199	190	182	173	164	156	139	121	104	87	69	52	35	17								
10LS30	3	0																	15.8	15.2	14.6	14.0	13.3	12.6	11.9	11.0	10.0	9.0	7.5	5.8		
		20																	15.7	15.1	14.5	13.9	13.2	12.5	11.8	10.9	9.9	8.8	7.2	5.4		
		30																	15.9	15.4	14.8	14.2	13.4	12.8	12.0	11.3	10.3	9.3	8.1	6.2	3.8	
		40																	15.9	15.6	15.0	14.4	13.8	13.1	12.4	11.5	10.8	9.7	8.6	7.1	4.7	
		50												16.0	15.8	15.6	15.3	14.7	14.1	13.3	12.7	11.9	11.0	10.2	9.1	7.8	6.0	3.0				
		60												16.0	15.8	15.5	15.2	14.8	14.3	13.7	12.9	12.3	11.4	10.6	9.6	8.3	6.8	4.5				
Shut-off PSI												284	275	267	258	249	232	215	197	180	163	145	128	111	94	76	59	42	24			

Horsepower Range 5, Recommended Range 3 – 16 GPM, 60 Hz, 3450 RPM

Pump Model	HP	PSI	Depth to Water in Feet/Ratings in GPM (Gallons per Minute)																											
			440	480	520	560	600	640	680	720	760	800	840	880	920	960	1000	1040	1080	1120	1160	1200	1240	1280	1320					
10LS50	5	0						16	15.5	15.2	14.9	14.5	14	13.5	13	12.5	12	11.5	10.8	10.2	9.5	8.5	7	5.2						
		20						15.9	15.4	15.1	14.8	14.5	13.9	13.4	12.9	12.4	11.9	11.3	10.7	10.1	9.4	8.2	6.8	4.3						
		30						15.6	15.2	14.9	14.6	14.2	13.7	13.1	12.6	12.1	11.6	11.0	10.4	9.8	8.8	7.5	6.0	3.0						
		40					15.8	15.3	15.1	14.7	14.4	13.8	13.3	12.8	12.3	11.8	11.2	10.6	10.0	9.2	7.9	6.6	4.1							
		50					15.5	15.2	14.9	14.6	14.1	13.6	13.0	12.5	12.1	11.5	10.9	10.3	9.7	8.6	7.3	5.6								
		60					15.7	15.3	15.0	14.7	14.3	13.7	13.2	12.7	12.2	11.7	11.1	10.5	9.9	9.0	7.7	6.5	3.2							
Shut-off PSI					346	329	312	294	277	260	242	225	208	191	173	156	139	121	104	87	69	52	35	17						



Model 13LS



Model 18LS

MODEL 13LS

SELECTION CHART

Horsepower Range 1/2 – 3, Recommended Range 4 – 20 GPM, 60 Hz, 3450 RPM

Pump Model	HP	PSI	Depth to Water in Feet/Ratings in GPM (Gallons per Minute)																														
			20	40	60	80	100	120	140	160	180	200	220	240	260	280	300	340	380	420	460	500	540	580	620	660	700	740	780	820			
13LS05	1/2	0			19.0	17.5	15.3	12.5	8.2																								
		20	18.8	16.5	14.5	12.0	8.0																										
		30	16.0	13.4	11.0	4.1																											
		40	13.3	10.6	4.0																												
		50	9.8																														
		60																															
Shut-off PSI			60	52	43	35	26	17	9																								
13LS07	3/4	0				19.7	18.5	17.0	15.0	13.2	11.5	8.5																					
		20		19.4	18.0	16.4	14.8	12.9	10.5	6.0																							
		30	18.9	17.5	16.0	14.6	12.5	10.0	5.0																								
		40	17.4	15.9	14.4	12.4	9.7	4.0																									
		50	15.4	13.8	12.0	9.5																											
		60	13.2	11.5	8.5																												
Shut-off PSI			86	78	69	61	52	43	35	26	17	8																					
13LS10	1	0					19.6	18.4	17.6	16.6	15.4	14.1	12.8	11.4	9.5	6.0																	
		20			20.0	19.4	18.5	17.2	16.3	15.0	13.8	12.5	11.0	8.5	4.0																		
		30		20.0	19.2	18.2	17.1	15.8	14.7	13.6	12.2	10.5	7.5																				
		40	19.9	19.0	18.0	17.0	15.7	14.6	13.5	12.0	10.1	7.3																					
		50	18.8	17.8	16.8	15.5	14.5	13.0	11.6	9.9	7.0																						
		60	17.6	16.6	15.4	14.1	12.8	11.4	9.5	6.0																							
Shut-off PSI			128	119	110	102	93	84	76	67	58	50	41	32	24	15	6																
13LS15	1 1/2	0						19.7	18.9	18.2	17.3	16.3	15.2	14.2	13.2	12.1	8.7																
		20					19.5	18.4	17.9	17.0	16.0	15.1	14.1	12.9	11.8	10.2	8.8																
		30			20.2	19.4	18.6	17.6	16.8	15.8	14.9	14.0	12.6	11.5	9.9	7.9	4.0																
		40		20.0	19.3	18.5	17.5	16.6	15.7	14.8	13.9	12.5	11.4	9.5	7.3	4.0																	
		50	20.0	19.1	18.3	17.4	16.4	15.5	14.5	13.6	12.3	11.0	9.2	6.3																			
		60	18.9	18.2	17.3	16.3	15.2	14.2	13.3	12.1	11.0	8.7	5.6																				
Shut-off PSI			156	147	139	130	121	113	104	95	87	78	69	61	52	43	35	17															
13LS20	2	0									20.0	19.5	19.0	18.3	17.9	17.2	15.8	14.4	12.6	10.5	7.7												
		20								19.8	19.4	18.8	18.2	17.6	17.0	16.3	15.6	14.1	12.4	10.2	6.8												
		30							19.7	19.3	18.7	18.2	17.4	16.8	16.2	15.5	14.8	13.1	11.1	8.8													
		40						19.6	19.2	18.6	18.1	17.3	16.7	16.1	15.4	14.7	13.8	12.0	9.8	6.0													
		50				20.1	19.5	19.1	18.4	18.0	17.2	16.6	16.0	15.2	14.6	13.7	12.9	10.8	8.5														
		60			20.0	19.5	19.0	18.3	17.9	17.2	16.5	15.8	15.1	14.4	13.6	12.6	11.5	9.2	5.0														
Shut-off PSI					206	198	189	180	172	163	155	146	137	129	120	111	103	85	68	51	33	16											
13LS30	3	0												19.8	19.4	18.9	18.0	17.1	16.0	14.6	13.5	11.9	10.0	7.3									
		20											19.6	19.2	18.9	18.3	17.9	17.0	15.9	14.7	13.3	11.8	9.7	6.9									
		30										20.0	19.5	19.1	18.8	18.2	17.8	17.4	16.4	15.2	13.9	12.3	10.5	8.3	4.0								
		40									20.0	19.4	19.1	18.7	18.2	17.8	17.3	16.8	15.6	14.5	13.0	11.4	9.5	6.0									
		50							19.9	19.5	19.0	18.6	18.1	17.7	17.2	16.7	16.1	14.9	13.7	12.0	10.1	7.9											
		60						19.8	19.4	18.9	18.5	18.0	17.5	17.1	16.6	16.0	15.4	14.2	12.9	11.0	9.0	5.0											
Shut-off PSI							235	226	217	209	200	191	183	174	165	157	139	122	104	87	70	53	35	18									

Residential Water Systems

MODEL 18LS

SELECTION CHART

Horsepower Range ¾ – 5, Recommended Range 6 – 28 GPM, 60 Hz, 3450 RPM

Pump Model	HP	PSI	Depth to Water in Feet/Ratings in GPM (Gallons per Minute)																																	
			20	40	60	80	100	120	140	160	180	200	220	240	260	280	300	340	380	420	460	500	540	580	620	660	700	740	780	820	860					
18LS07	¾	0			28.2	26.5	24.0	21.0	17.9	13.5																										
		20	27.7	25.9	23.0	20.0	16.5	10.8																												
		30	25.0	22.0	18.8	15.7	9.5																													
		40	22.2	18.9	15.1	9.0																														
		50	18.4	15.0	7.5																															
		60	13.5	5.0																																
Shut-off PSI			74	66	58	49	40	32	23	14																										
18LS10	1	0					27.0	25.5	23.6	21.2	18.8	15.9	12.0																							
		20		28.0	26.6	25.1	22.7	20.0	17.6	14.0	10.0																									
		30	27.9	26.1	24.3	22.2	19.8	17.1	13.8	8.3																										
		40	26.0	24.1	22.0	19.7	17.0	13.1	8.0																											
		50	24.0	22.0	19.1	16.5	13.0	7.1																												
		60	21.0	18.6	15.8	12.0																														
Shut-off PSI			103	94	86	77	68	60	51	42	34	25	16																							
18LS15	1½	0					28.4	27.2	26.0	24.8	23.0	21.4	19.6	17.5	15.0	12.1																				
		20				27.8	26.8	25.4	24.0	22.2	20.6	18.8	16.7	14.0	10.0																					
		30			27.7	26.5	25.3	23.8	22.0	20.2	18.5	16.1	13.5	10.0																						
		40		27.5	26.3	25.0	23.6	22.0	20.1	18.1	16.0	13.1	9.5																							
		50	27.6	26.4	25.0	23.4	21.8	20.0	18.0	15.5	13.0	9.2																								
		60	26.0	24.6	23.0	21.2	19.5	17.5	15.0	12.0	7.9																									
Shut-off PSI			143	134	126	117	108	100	91	82	74	65	56	48	39	30	22																			
18LS20	2	0						28.0	27.1	26.2	25.1	24.0	22.9	21.4	20.0	16.8	12.8																			
		20					27.8	26.8	25.8	24.6	23.7	22.6	21.0	19.5	18.0	16.0	11.6																			
		30					27.5	26.5	25.5	24.5	23.3	22.1	20.6	19.0	17.5	15.8	13.6	6.5																		
		40			28.5	27.4	26.4	25.4	24.4	23.2	22.0	20.5	18.9	17.4	15.7	13.5	11.0																			
		50		28.0	27.2	26.2	25.3	24.3	23.0	21.8	20.3	18.7	17.0	15.3	13.1	10.5	6.0																			
		60	28.0	27.1	26.2	25.1	24.0	22.9	21.4	20.0	18.3	16.8	14.8	12.8	9.5																					
Shut-off PSI			183	174	165	157	148	139	131	122	113	105	96	87	79	70	61	44	27																	
18LS30	3	0										28.0	27.4	26.7	26.0	25.0	23.5	21.5	19.2	16.9	14.2	10.5														
		20									27.7	27.0	26.3	25.8	24.9	24.0	23.0	21.0	18.9	16.5	13.5	9.0														
		30									27.6	26.9	26.2	25.5	24.8	23.9	22.9	21.9	19.8	17.5	14.9	11.2														
		40									27.5	26.9	26.2	25.4	24.6	23.8	22.8	21.8	20.9	18.5	16.0	13.3	8.0													
		50							27.4	26.8	26.0	25.2	24.5	23.6	22.6	21.7	20.6	19.5	17.3	14.5	11.0															
		60				28.0	27.4	26.7	26.0	25.0	24.3	23.5	22.5	21.5	20.5	19.2	18.0	15.7	12.8	7.0																
Shut-off PSI					225	216	208	199	190	182	173	164	156	147	139	130	113	95	78	61	43	26														
18LS50	5	0																	27.9	26.8	25.8	24.8	23.7	22.6	21.2	19.9	18.4	16.8	14.8	12.4	9.7					
		20																		27.5	26.6	25.6	24.5	23.3	22.2	21.0	19.8	18.0	16.2	14.3	12.0	8.8				
		30																		28.0	26.9	26.0	25.0	23.9	22.9	21.6	20.3	18.6	17.0	15.0	13.0	10.2	6.2			
		40																		28.0	27.4	26.3	25.3	24.4	23.2	22.1	20.1	19.4	17.9	16.0	14.0	11.6	8.0			
		50																		27.9	27.3	26.8	25.9	24.9	23.8	22.7	21.3	20.1	18.5	16.9	14.9	12.8	10.0	6.0		
		60																		27.9	27.2	26.8	26.2	25.2	24.1	23.0	21.9	20.7	19.2	17.5	15.8	13.6	11.0	7.8		
Shut-off PSI																			307	298	290	281	264	246	229	212	195	177	160	143	125	108	91	73	56	39

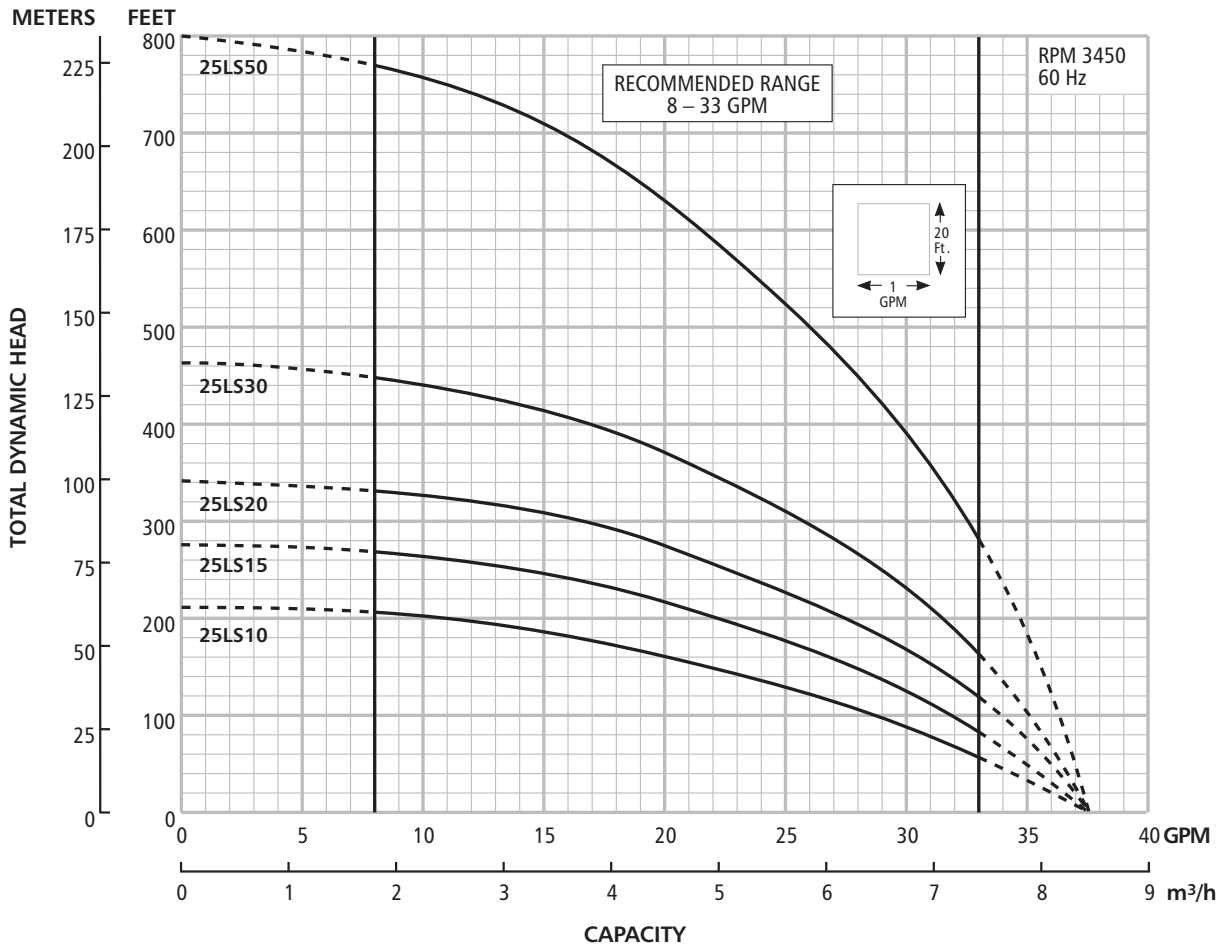
MODEL 25LS

SELECTION CHART

Horsepower Range 1 – 5, Recommended Range 8 – 33 GPM, 60 Hz, 3450 RPM

Pump Model	HP	PSI	Depth to Water in Feet/Ratings in GPM (Gallons per Minute)																										
			20	40	60	80	100	120	140	160	180	200	220	240	260	280	300	340	380	420	460	500	540	580	620	660	700	740	
25LS10	1	0			32.8	30.8	28.6	26.2	23.5	20.0	16.2	11.0																	
		20	31.8	30.0	27.5	25.2	22.0	19.0	15.0	8.0																			
		30	29.6	27.2	25.0	21.6	18.0	14.0																					
		40	27.1	24.9	21.5	17.9	13.9																						
		50	24.3	21.0	17.5	13.0																							
		60	20.0	16.2	11.0																								
Shut-off PSI			82	74	65	56	48	39	30	22	13	4																	
25LS15	1½	0				33.0	31.8	30.3	28.8	26.9	24.8	22.0	19.8	16.5	11.0														
		20		32.6	31.2	29.6	28.0	26.0	23.8	21.0	18.1	14.8	8.0																
		30	32.5	31.0	29.5	27.6	25.6	23.2	20.9	17.9	14.0																		
		40	30.9	29.4	27.5	25.5	23.1	20.8	17.7	13.6																			
		50	29.0	27.2	25.1	22.9	20.4	17.2	13.0																				
		60	26.9	24.8	22.0	19.8	16.5	11.0																					
Shut-off PSI			111	103	94	85	77	68	59	51	42	33	25	16	7														
25LS20	2	0					33.0	31.8	30.4	29.0	27.4	25.7	22.6	21.5	19.3	15.4													
		20				32.7	31.3	30.0	28.6	26.8	25.0	22.9	20.9	18.3	14.3	9.0													
		30			32.3	31.0	29.6	28.5	26.4	24.5	22.6	20.5	18.0	14.0	8.0														
		40			30.9	29.5	28.2	26.3	24.3	22.4	20.4	17.8	13.6	8.0															
		50		30.5	29.4	28.0	26.0	24.1	22.1	20.0	17.2	13.2																	
		60	30.4	29.0	27.4	25.7	22.6	21.5	19.3	15.4	12.2																		
Shut-off PSI			139	130	121	113	104	95	87	78	69	61	52	43	35	26	17												
25LS30	3	0							33.0	32.2	31.5	30.5	29.6	28.3	27.1	25.8	22.6	19.0	14.0										
		20					32.8	32.0	31.0	30.0	29.0	27.9	26.6	25.0	23.8	21.9	20.0	12.6											
		30				32.6	31.8	30.9	30.0	28.8	27.6	26.5	24.9	23.4	21.6	19.9	15.2	8.0											
		40			32.5	31.7	30.9	29.9	28.8	27.5	26.2	24.7	23.3	21.5	19.9	17.8	11.9												
		50		32.3	31.6	30.8	29.8	28.5	27.3	26.0	24.5	23.0	21.2	19.5	17.4	11.5													
		60	33.0	32.2	31.5	30.5	29.6	28.3	27.1	25.8	24.1	22.6	20.9	19.0	16.9	14.0	10.0												
Shut-off PSI			191	183	174	165	157	148	139	131	122	113	105	96	87	79	70	53	35	18									
25LS50	5	0													33.0	32.5	31.5	30.2	29.0	27.6	26.0	24.2	22.4	20.5	18.3	15.8	12.0		
		20													32.9	32.3	31.8	31.3	30.0	28.8	27.2	25.8	23.9	22.0	20.0	17.8	15.0	11.0	
		30												32.8	32.2	31.8	31.2	30.5	29.3	27.9	26.4	24.8	22.9	21.0	18.9	16.2	13.0	8.0	
		40											32.7	32.1	31.7	31.1	30.4	29.9	28.5	27.1	25.4	23.7	21.9	19.9	17.5	14.5	10.5		
		50										32.6	32.1	31.6	31.0	30.3	29.9	29.2	27.8	26.3	24.5	22.6	21.8	18.7	16.0	12.7			
		60						33.0	32.5	32.0	31.5	30.8	30.2	29.8	29.0	28.3	26.9	25.1	23.3	21.5	19.5	17.0	14.0	9.5					
Shut-off PSI							286	277	268	260	251	242	234	225	216	199	182	165	147	130	113	95	78	61	43	26			

Model 25LS



Xylem, Inc.
 2881 East Bayard Street Ext., Suite A
 Seneca Falls, NY 13148
 Phone: (866) 325-4210
 Fax: (888) 322-5877
www.xylem.com/brands/gouldswatertechnology

Goulds is a registered trademark of Goulds Pumps, Inc. and is used under license.
 CentriPro is a trademark of Xylem Inc. or one of its subsidiaries.
 Noryl and Lexan are trademarks of GE Plastic.
 © 2012 Xylem Inc. B5-25LSEXT March 2012