



5G & 7G

60 HZ STANDARD CAPACITY 4" SUBMERSIBLE PUMPS
FOR 4" AND LARGER WELLS

FEATURES

Powered for Continuous Operation: All ratings are within the working limits of the motor as recommended by the motor manufacturer. Pump can be operated continuously without damage to the motor.

Field Serviceable: Units are field serviceable with common tools and readily available repair parts.

Sand Handling Design: Our face clearance, floating impeller stack has proven itself for over 40 years as a superior sand handling, durable pump design.

FDA Compliant Non-Metallic Parts: Impellers, diffusers and bearing spiders are constructed of glass filled engineered composites. They are corrosion resistant and non-toxic.

Discharge Head: Cast lead-free silicon bronze is strong and durable. Safety loop provided for installer convenience.

Check Valve: External, lead-free, silicon bronze check valve with plastic poppet and BUNA o-ring seal.

Motor Adapter: Cast lead-free silicon bronze provides a strong, accurate alignment of liquid end to motor. The plastic wrap around strainer keeps debris out of pump.

Stainless Steel Casing: Polished stainless steel is strong and corrosion resistant.

Hex Shaft Design: Six sided shafts for positive impeller drive.

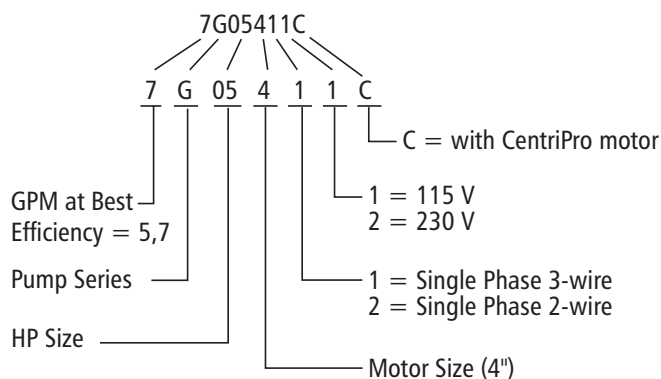
5G & 7G PUMPS

Series	Model	Required H.P.	Stages	Water End	
				Length (in)	Wt. (lbs)
5G	5G05	.5	15	17.2	12
	5G07	.75	20	20.3	14
	5G10	1	25	24.6	17
	5G15	1.5	34	30.3	20
	7G05	.5	11	14.6	10
7G	7G07	.75	15	17.2	12
	7G10	1	20	20.3	14
	7G15	1.5	25	24.6	17

CENTRIPRO 4" SINGLE-PHASE MOTORS

Order No.	Type	HP	Volts	Length (in)	Weight (lb)
M05421	2-wire PSC	.5	115	11.0	19.2
M05422		.5	230	11.0	19.2
M07422		.75	230	12.4	22.7
M10422		1	230	13.3	24.5
M15422		1.5	230	14.9	28.9
M05411	3-wire	.5	115	10.0	18.9
M05412		.5	230	9.7	18.1
M07412		.75	230	10.8	21.4
M10412		1	230	11.7	23.1
M15412		1.5	230	13.6	27.4

NUMBER CODE



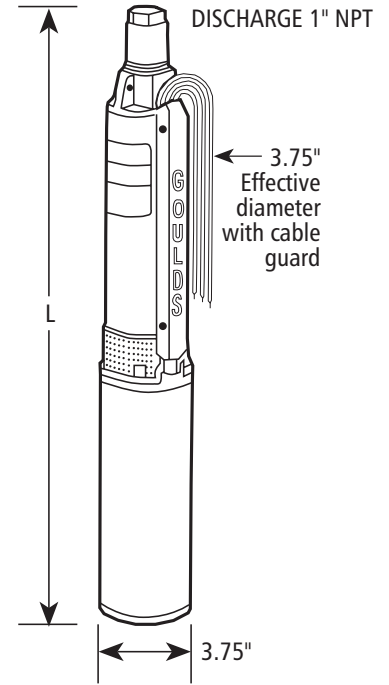
CENTRIPRO 4" THREE-PHASE MOTORS

Order No.	HP	Volts	Length (in)	Weight (lb)
M10432	1	230	11.7	23.1
M15432	1.5			

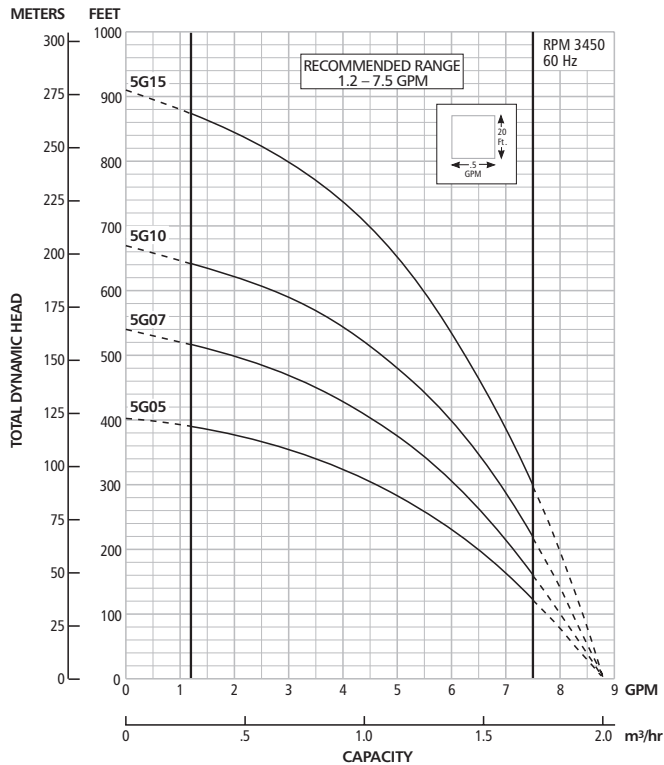
SPECIFICATIONS

Model	Flow Range GPM	Horse-power Range	Best Efficiency GPM	Discharge Connection	Minimum Well Size	Rotation ^①
5G	1.2 - 7.5	½-1½	5	1"	4"	CCW
7G	1.5 - 10	½-1½	7	1"	4"	CCW

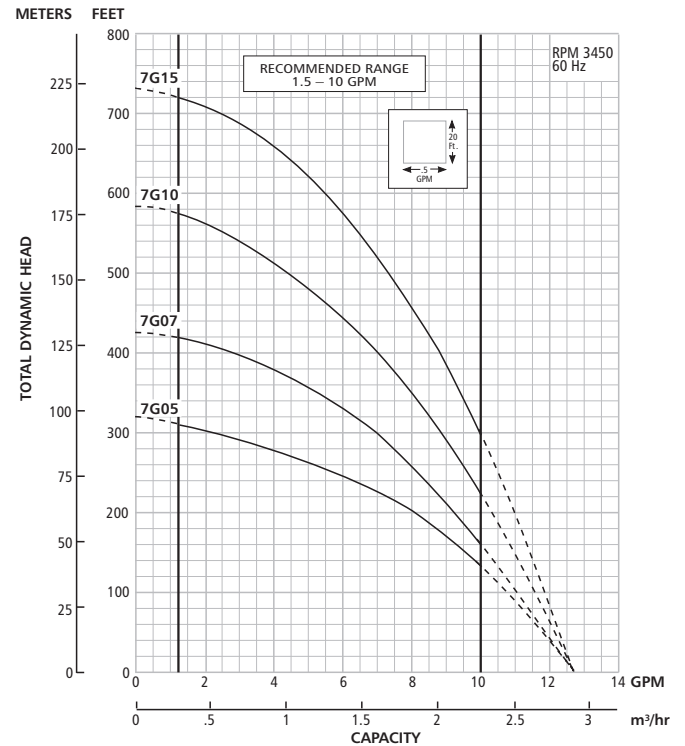
① Rotation is counterclockwise when observed from pump discharge end.



MODEL 5G

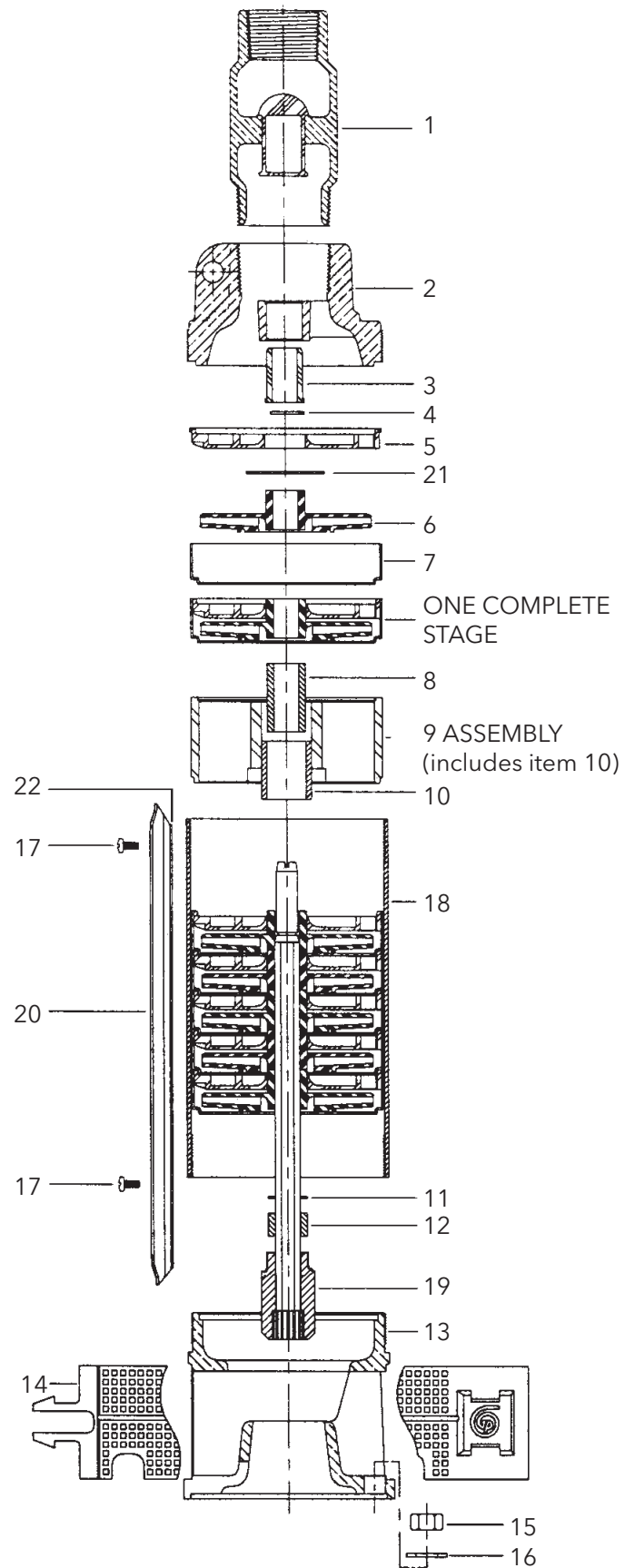


MODEL 7G



Item No.	Part Description	Current Model		
		HP	5G	7G
	Number of Stages	1/2	15	11
		3/4	20	15
		1	25▲	20
		1 1/2	34▲	25▲
1	1" Check valve	7K1306	7K1306	
2	Discharge head	7K60	7K60	
3	Bearing	7K2739	7K2739	
4	Retaining ring	7K817	7K817	
5	Diffuser	7K9	7K12	
6	Impeller	7K8	7K11	
7	Bowl	7K7	7K7	
8	Center sleeve▲	7K209	7K209	
9	Intermediate bearing spider assembly▲	7K13	7K13	
10	Intermediate bearing▲	7K156	7K156	
11	Shim	7K155	7K155	
12	Lower shaft sleeve	7K2243	7K2243	
13	Motor adapter	7K1064	7K1064	
14	Inlet strainer	7K1016	7K1016	
15	Motor nut	13K114	13K114	
16	Lock washer	13K117	13K117	
17	Cable guard screw	13K91	13K91	
18	Casing	1/2	7K484	7K483
		3/4	7K485	7K484
		1	7K861	7K485
		1 1/2	7K1178	7K861
19	Shaft and coupling	1/2	7K1068	7K1067
		3/4	7K1069	7K1068
		1	7K1070	7K1069
		1 1/2	7K1180	7K1070
20	Cable guard	1/2	7K1092	7K1091
		3/4	7K1093	7K1092
		1	7K1094	7K1093
		1 1/2	7K2147	7K1094
21	Upthrust washer	7K15	-	
22	Insulator	7K1023	7K1023	

Note: ▲ Indicates models with intermediate bearing spider.



xylem
Let's Solve Water

Xylem, Inc.
2881 East Bayard Street Ext., Suite A
Seneca Falls, NY 13148
Phone: (866) 325-4210
Fax: (888) 322-5877
www.xylem.com/brands/gouldswatertechnology

Goulds is a registered trademark of Goulds Pumps, Inc. and is used under license.
CentriPro is a trademark of Xylem Inc. or one of its subsidiaries.
© 2012 Xylem Inc. B5&7G March 2012