



45J and 70J

60 HZ HIGH CAPACITY FLAT BOWL, 6" SUBMERSIBLE PUMPS
FOR 6" AND LARGER WELLS

Residential Water Systems

FEATURES

Powered for Continuous Operation: All ratings are within the working limits of the motor manufacturer. Pump can be operated continuously without motor damage.

Completely Field Serviceable: Easy to install and service. All parts easily dismantled if field service is ever necessary.

Diverse Application: Designed for municipal and agricultural water needs.

Bearings: Replaceable fluted bearings allow excellent abrasives handling and wear resistance.

Pump Shaft: Stainless steel hex shaft.

Bowls: Stainless steel flat bowl design.

Impellers and Diffusers: Rugged thermoplastic construction resists mineral and algae deposits.

Coupling: Heavy duty stainless steel, splined coupling for maximum load-carrying capability.

Suction Strainer: Stainless steel strainer restricts gravel and other debris from entering the pump.

Cable Guard: Stainless steel cable guard surrounds and protects motor leads.

Fasteners: All fasteners are stainless steel.

NEMA Design Motors: Stainless steel shell and end bells resist corrosion. Water filled design provides a constant supply of lubrication. Hermetically sealed stator assures moisture free windings. Durable Kingsbury type thrust bearing absorbs all thrust. Replaceable motor lead assembly.

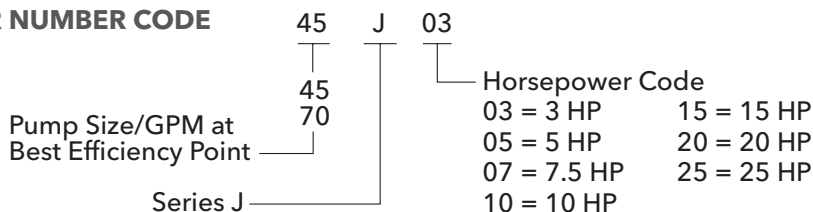
AGENCY LISTINGS



NSF/ANSI 372 - Drinking Water System Components - Lead Content

CLASS 6853 01 - Low Lead Content Certification Program - - Plumbing Products

ORDER NUMBER CODE



SPECIFICATIONS

Model	Horsepower Range	Recommended GPM Operating Range	GPM at Best Efficiency (B.E.P.)	Discharge Connection	Minimum Well Size	Rotation
45J	3 - 25	20 - 70	45	2" NPT	6"	CCW ^①
70J	3 - 25	25 - 100	70	2" NPT	6"	CCW ^①

① CCW - counterclockwise when looking into pump discharge.

WATER END (PUMP) DATA

Series	Order No.	Stages	Required Motor		Water End	
			HP	Diameter	Length	Weight (lb)
45J	45J03	3	3	4"	10.3	15
	45J05	5	5	4"	12.6	20
	45J07	7	7.5	6"	16.3	29
	45J10	10	10	6"	21.4	37
	45J15	15	15	6"	27.3	50
	45J20	20	20	6"	34.8	63
	45J25	25	25	6"	39.4	76
70J	70J03	2	3	4"	9.0	14
	70J05	4	5	4"	11.5	18
	70J07	6	7.5	6"	15.0	27
	70J10	9	10	6"	20.3	35
	70J15	13	15	6"	24.8	45
	70J20	17	20	6"	29.7	55
	70J25	21	25	6"	36.0	66

Residential Water Systems

MOTOR DATA

NOTE: 4" Diameter motors are required for 3 and 5 HP "L" Series pumps. 6" Diameter motors are required for 7.5 HP and larger "L" Series pumps.

CentriPro Motors

Single Phase Motors - Dimensions and Weights					
Motor Order No.	HP	Motor Dia.	Volts	Length (inches)	Weight (lbs)
M30412	3	4"	230	18.3	41
M50412	5	4"	230	27.7	70
6M071	7.5	6"	230	29.9	128
6M101	10	6"	230		
6M151	15	6"	230	33.5	148
Three Phase Motors - Dimensions and Weights					
M30432	3	4"	230	15.3	32
M30434			460		
M50432	5	4"	230	21.7	55
M50434			460		
6M072	7.5	6"	230	24.8	99
6M074	7.5	6"	460		
6M102	10	6"	230	27.0	110
6M104	10	6"	460		
6M152	15	6"	230	29.9	128
6M154	15	6"	460		
6M202	20	6"	230	31.5	137
6M204	20	6"	460		
6M252	25	6"	230	36.2	161
6M254	25	6"	460		

• 200V 6" motors are available now, call for availability.

SYSTEM COMPONENTS

Pump/Water End:

- 6" Pump with 2" NPT discharge.
- 4" Motor Adapter on 3 and 5 HP models.
- 6" Motor Adapter on 7.5 HP and larger models.

Motor:

- 4" motor required for 3 HP and 5 HP pumps.
- 6" motor required for 7.5 HP and larger pumps.

Control Box: Required for single phase (1Ø) motors.

- 4" Single Phase Motors: CentriPro or Franklin Electric, 4" single phase motors can use either CSCR or MC type control boxes.
- 6" CentriPro 1Ø Motors: Use only the CentriPro control boxes below:

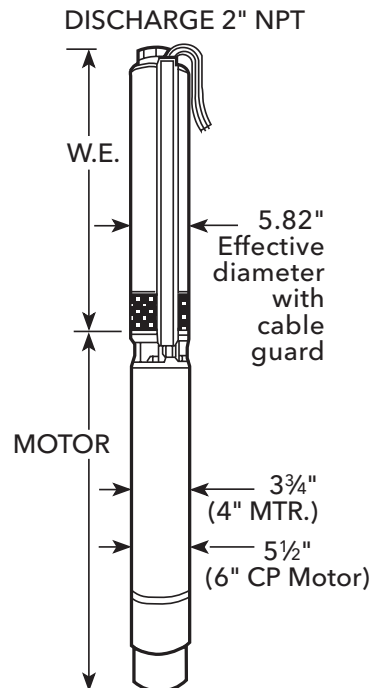
Motor	Control Box
6M051	CB05MC (3R)
6M071	CB07MC (3R)
6M101	CB10MC (3R)
6M151	CB15MC (3R)

Magnetic Starter: A magnetic starter with Class 10 overload protection is required for three phase units.

PUMPS, MOTORS AND CONTROLS MUST BE ORDERED SEPARATELY AND ARE PACKAGED SEPARATELY.

"J" SERIES MATERIALS OF CONSTRUCTION

Part Name	Material
Shaft and Coupling	17-4 and 303 SS
Motor Adapter and Discharge Head	Silicon Bronze
Discharge Head Bearing	Viton
Shaft Sleeves	303 Series SS
Bowl	303 Series SS
Impeller	Noryl®
Diffuser	Lexan®
Casing	303 Series SS
Snap Ring	304 Series SS
Fasteners	303 Series SS
Cable Guard	303 Series SS
Suction Strainer	303 Series SS
Intermediate Bearing	Viton



Model 45J

SELECTION CHART

Horsepower Range 3 - 15, Recommended Range 20 - 70 GPM, 60 Hz, 3450 RPM

Pump Model	Depth to Water in Feet/Ratings in GPM (Gallons per Minute)																						
	HP	PSI	50	75	100	125	150	175	200	250	300	350	400	450	500	600	700	800	900	1000	1100		
45J03 3 Stages	3	0	70	67	62	57	51	44	35														
		20	63	57	52	45	36	20															
		30	58	52	46	39	20																
		40	52	48	38	25																	
		50	47	42	25																		
		60	42	25																			
45J05 5 Stages	5	0		70	69	68	64	61	58	51	42	29											
		20	70	67	64	61	59	55	52	43	29												
		30	68	64	62	59	56	52	48	38													
		40	65	62	59	56	52	48	44	32													
		50	62	59	56	52	48	44	39														
		60	59	56	53	48	44	39	32														
45J07 7 Stages	7.5	0				70	69	67	65	60	56	51	45	37	25								
		20		70	69	67	65	63	61	56	51	45	38	27									
		30	70	69	67	65	63	61	59	54	49	42	34										
		40	69	67	65	63	61	60	57	51	46	39	27										
		50	67	65	63	61	59	57	54	49	43	35											
		60	66	63	61	59	57	54	52	46	39	32											
45J10 10 Stages	10	0						70	69	67	64	61	58	54	51	41	28						
		20				70	69	68	67	66	63	60	57	53	49	44	33						
		30			70	69	68	67	66	64	61	58	55	51	47	42	29						
		40		70	69	68	67	66	64	63	60	57	53	49	45	40	25						
		50	70	69	68	67	66	64	63	60	57	53	49	45	40	25							
		60	70	68	67	66	64	63	62	58	55	51	47	42	37								
45J15 15 Stages	15	0							70	69	67	65	63	61	58	53	48	42	34	20			
		20							70	69	67	65	63	62	60	56	51	45	38	29			
		30							70	69	67	65	63	61	59	55	50	44	36	26			
		40						70	69	67	66	64	62	60	58	53	47	42	34	22			
		50					70	69	68	67	65	63	61	59	57	52	47	41	32				
		60				70	69	68	68	66	64	62	60	58	56	51	46	39	30				

Horsepower Range 20 - 25, Recommended Range 20 - 70 GPM, 60 Hz, 3450 RPM

Pump Model	Depth to Water in Feet/Ratings in GPM (Gallons per Minute)																			
	HP	PSI	300	350	400	450	500	600	700	800	900	1000	1100	1200	1300	1400	1500	1600	1700	
45J20 20 Stages	20	0				70	69	67	64	60	56	54	48	43	38	32	24			
		20				69	67	66	62	58	54	50	46	41	35	28				
		30			70	68	66	65	61	57	53	49	45	39	34	26				
		40			69	67	66	64	60	57	53	48	44	38	32	23				
		50	70	68	67	65	63	60	56	52	47	42	37	30						
		60	69	67	66	64	62	59	55	51	46	41	35	28						
45J25 25 Stages	25	0						69	66	63	60	57	54	50	46	42	37	31	20	
		20						70	67	65	62	59	55	52	48	44	39	34	27	
		30						70	67	64	61	58	55	51	47	43	38	33	24	
		40					70	69	66	64	60	57	54	50	47	42	37	31	21	
		50					70	68	66	63	60	57	53	50	46	41	36	30		
		60				70	69	68	65	62	59	56	52	49	45	40	35	27		

Model 70J

SELECTION CHART

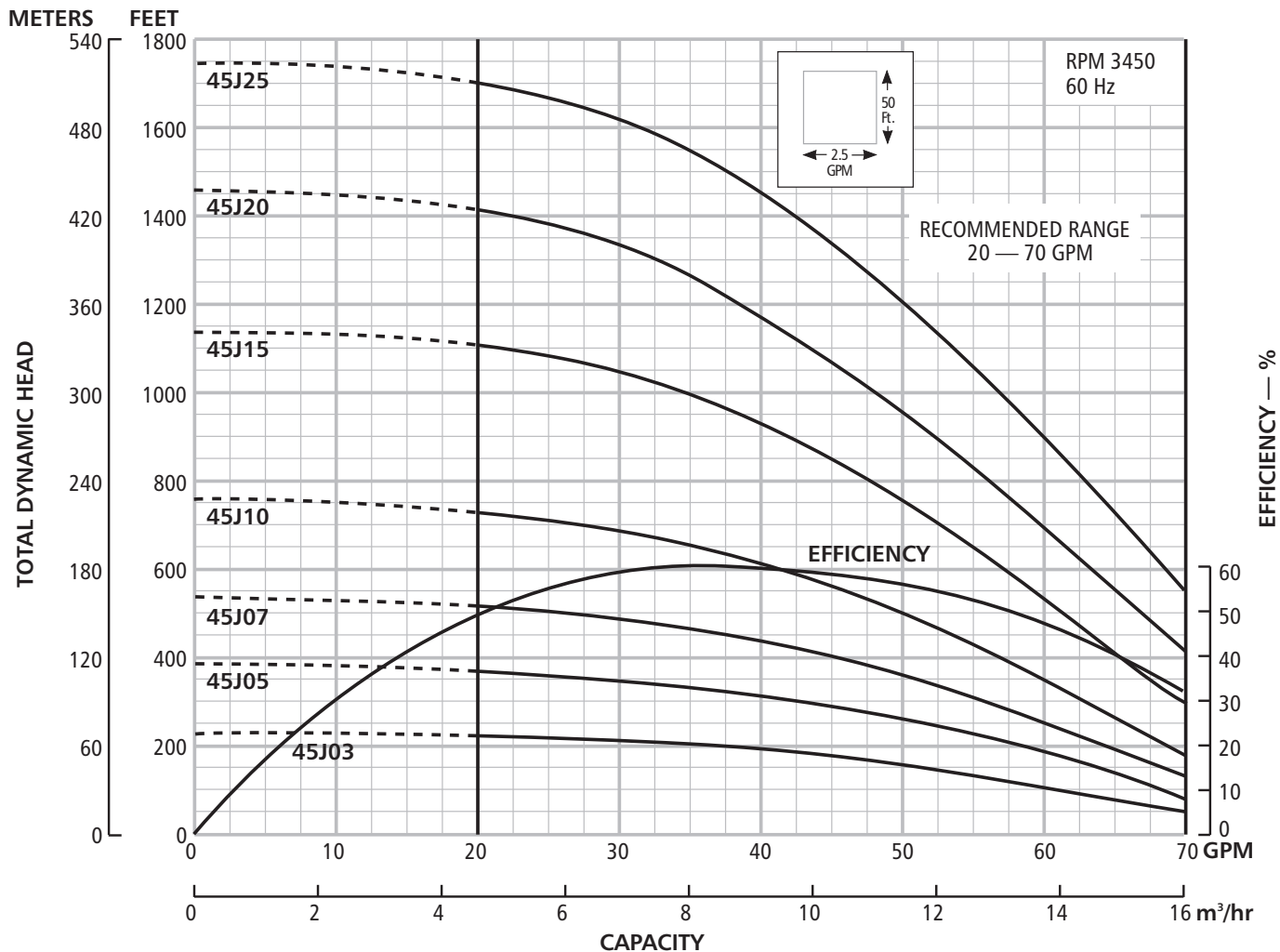
Horsepower Range 3 - 10, Recommended Range 25 - 100 GPM, 60 Hz, 3450 RPM

Pump Model	Depth to Water in Feet/Ratings in GPM (Gallons per Minute)																							
	HP	PSI	50	75	100	125	150	175	200	250	300	350	400	450	500	600	700	800	900	1000	1100			
70J03 2 Stages	3	0	100	84	63	30																		
		20	63	30																				
		30	40																					
		40																						
		50																						
		60																						
70J05 4 Stages	5	0			100	94	85	75	63															
		20	100	96	86	77	66	53	35															
		30	96	86	77	66	53	35																
		40	88	79	69	56	40																	
		50	79	69	56	40																		
		60	69	56	40																			
70J07 6 Stages	7.5	0				100	97	91	78	64	45													
		20			100	98	92	86	80	66	47													
		30		100	98	92	86	80	73	57	32													
		40	100	99	93	88	81	74	67	49														
		50	99	93	88	81	74	67	59	36														
		60	93	83	81	74	67	59	49															
70J10 9 Stages	10	0								99	91	82	73	63	52									
		20							100	91	83	74	64	53	39									
		30						100	96	87	78	69	59	46										
		40					100	96	92	84	75	65	54	40										
		50				100	96	92	88	79	70	60	48	31										
		60			100	96	92	88	84	75	65	54	40											

Horsepower Range 15 - 25, Recommended Range 25 - 100 GPM, 60 Hz, 3450 RPM

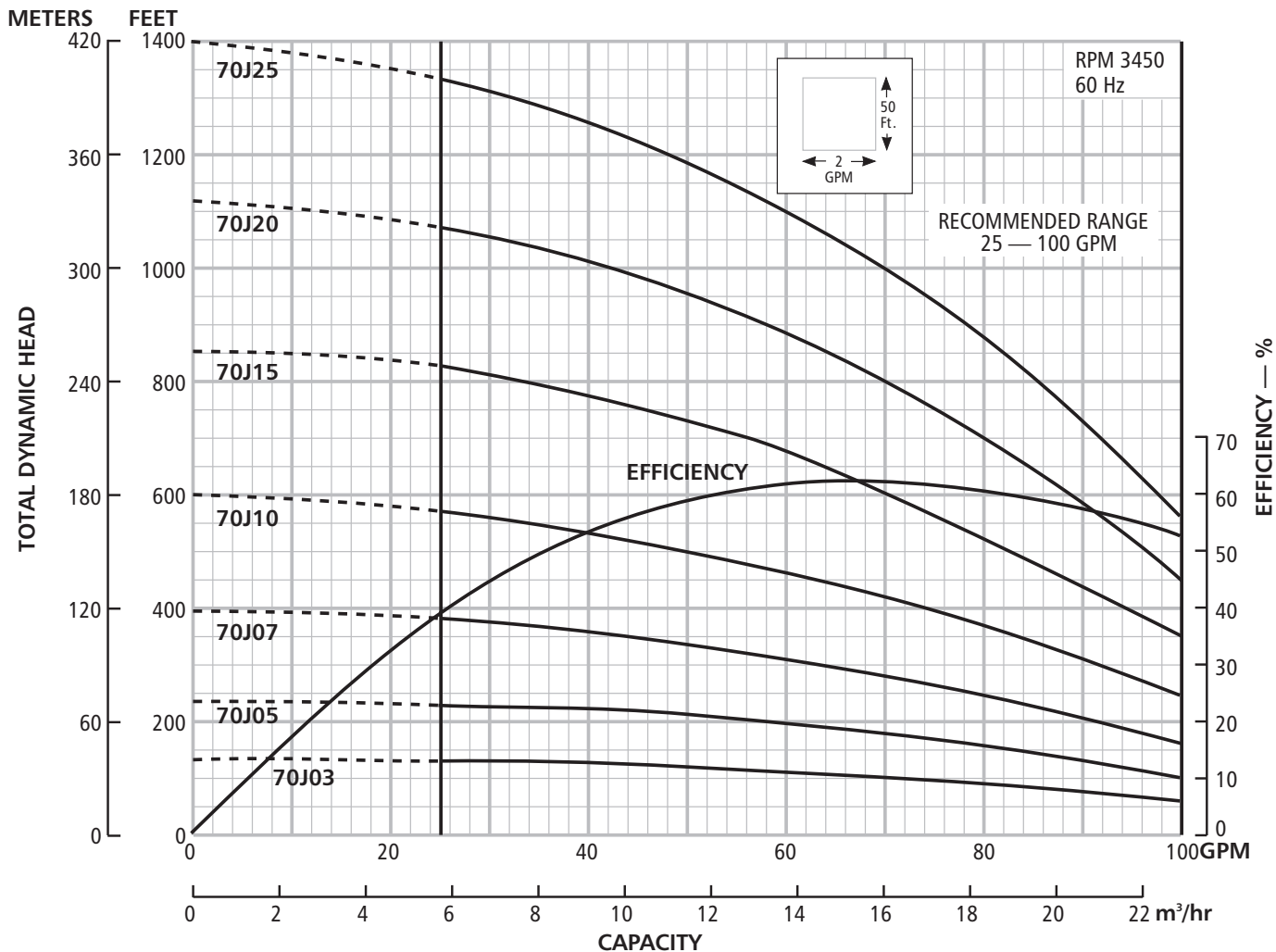
Pump Model	Depth to Water in Feet/Ratings in GPM (Gallons per Minute)																						
	HP	PSI	200	250	300	350	400	450	500	600	700	800	900	1000	1100	1200	1300	1400	1500	1600	1700		
70J15 13 Stages	15	0				100	94	88	82	70	56												
		20			100	95	89	83	77	64	48												
		30			97	92	86	80	74	60	43												
		40		100	95	89	84	78	71	57	37												
		50		98	92	87	81	75	68	53	30												
		60	100	95	90	84	78	71	65	49													
70J20 17 Stages	20	0						100	96	87	78	69	58	43									
		20					100	97	92	83	74	64	52	34									
		30					99	94	90	81	72	61	48										
		40				100	97	93	88	79	70	59	45										
		50				99	95	90	86	77	67	56	40										
		60			100	97	93	88	84	74	64	53	34										
70J25 21 Stages	25	0								97	90	83	76	68	59	47	32						
		20							100	94	87	80	73	64	54	40							
		30							99	93	86	78	71	62	51	37							
		40						100	98	91	84	77	69	60	49	34							
		50						100	96	89	82	75	67	58	46								
		60					100	98	95	88	80	73	65	55	42								

Model 45J



Curve Reference SU 489

Model 70J



Curve Reference SU 518

Xylem |'zīləm|

- 1) The tissue in plants that brings water upward from the roots;
- 2) a leading global water technology company.

We're 12,500 people unified in a common purpose: creating innovative solutions to meet our world's water needs. Developing new technologies that will improve the way water is used, conserved, and re-used in the future is central to our work. We move, treat, analyze, and return water to the environment, and we help people use water efficiently, in their homes, buildings, factories and farms. In more than 150 countries, we have strong, long-standing relationships with customers who know us for our powerful combination of leading product brands and applications expertise, backed by a legacy of innovation.

For more information on how Xylem can help you, go to www.xyleminc.com



Xylem, Inc.
2881 East Bayard Street Ext., Suite A
Seneca Falls, NY 13148
Phone: (866) 325-4210
Fax: (888) 322-5877
www.xyleminc.com/brands/gouldswatertechnology

Goulds is a registered trademark of Goulds Pumps, Inc. and is used under license.
CentriPro is a trademark of Xylem Inc. or one of its subsidiaries.

© 2012 Xylem Inc. B45-70J April 2012