



45HB, 70HB

HIGH PRESSURE CENTRIFUGAL BOOSTER PUMP

FEATURES

Multi-Stage Design: This configuration provides a steady, quiet and vibration-free operation for years of trouble-free service.

Impellers and Diffusers: Glass filled thermoplastic. Precision molded for high efficiencies.

Bowls: Constructed with 300 series stainless steel. Rabbet lock for positive alignment – no gaskets required.

Mechanical Seal: Carbon/ceramic faces. BUNA elastomers 300 series stainless steel metal parts.

Motor: Close-coupled design. Ball bearings carry all radial/axial thrust loads. Designed for continuous operation. All ratings are within working limits of the motor.

WARNING: This is a booster pump. It has no lift capability. DO NOT RUN DRY. DO NOT DEADHEAD.

APPLICATIONS

Wide variety of industrial, commercial and agricultural uses, especially:

- High rise buildings
- Multiple dwelling buildings
- Reverse osmosis systems
- High pressure cleaning
- Spraying systems
- Booster service

SPECIFICATIONS

Pump

- Capacities: to 100 GPM
- Heads: to 760 feet.
- Pipe connections: Suction 2" NPT, Discharge 2" NPT.
- Temperature: 160°F (71°C) maximum.
- Inlet pressure: 100 PSI maximum.
- Rotation: right hand, i.e., clockwise when viewed from motor end.

Motor

- Open drip-proof or TEFC enclosure 60 Hz, 3500 RPM. Threaded shaft extension.
- Single phase: 3 HP 115/208–230 V
5 HP 208–230 V
7½ HP 208–230 V.
- Three phase: 3–10 HP 208–230/460 V.

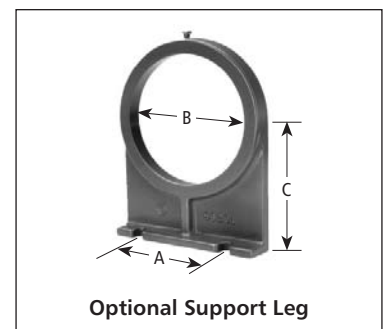
MODELS

Order No.	HP	No. of Stages	Phase	Enclosure	Frame	W.E.L.	Weight (lbs.)
45HB13012	3	3	1	ODP	182	11½	88
45HB23012	3	2	1	TEFC	184	10¾	101
45HB13035	3	3	3	ODP	145	11½	59
45HB23035	3	2	3	TEFC	182	10¾	83
45HB15013	5	5	1	ODP	184	13¾	100
45HB25013	5	4	1	TEFC	213	12¾	147
45HB15035	5	5	3	ODP	182	13¾	80
45HB25035	5	4	3	TEFC	184	12¾	99
45HB17513	7½	7	1	ODP	213	16¼	169
45HB17535	7½	7	3	ODP	184	16¼	103
45HB27535	7½	6	3	TEFC	213	15⅞	150
45HB11135 ①	10	10	3	ODP	213	21½	155
45HB21135	10	8	3	TEFC	215	17½	190
70HB13012	3	2	1	ODP	182	10¾	86
70HB23012	3	2	1	TEFC	184	10¾	99
70HB13035	3	2	3	ODP	145	10¾	57
70HB23035	3	2	3	TEFC	182	10¾	81
70HB15013	5	4	1	ODP	184	12¾	98
70HB25013	5	3	1	TEFC	213	11½	145
70HB15035	5	4	3	ODP	182	12¾	78
70HB25035	5	3	3	TEFC	184	11½	97
70HB17513	7½	6	1	ODP	213	15⅞	170
70HB17535	7½	6	3	ODP	184	15⅞	101
70HB27535	7½	5	3	TEFC	213	13¾	148
70HB11135 ①	10	9	3	ODP	213	20¼	153
70HB21135	10	7	3	TEFC	215	17½	188

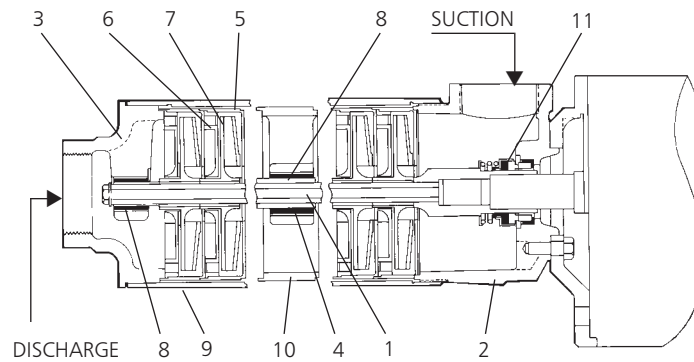
OPTIONAL SUPPORT LEG – dimensions (in inches)

Model	Frame	A	B	C
AM200	182/184	4⅞	5¾	4½
AM201	213/215	4⅞	5¾	5¼

NOTE: Support leg is not required for 145 frame motors.



COMPONENTS

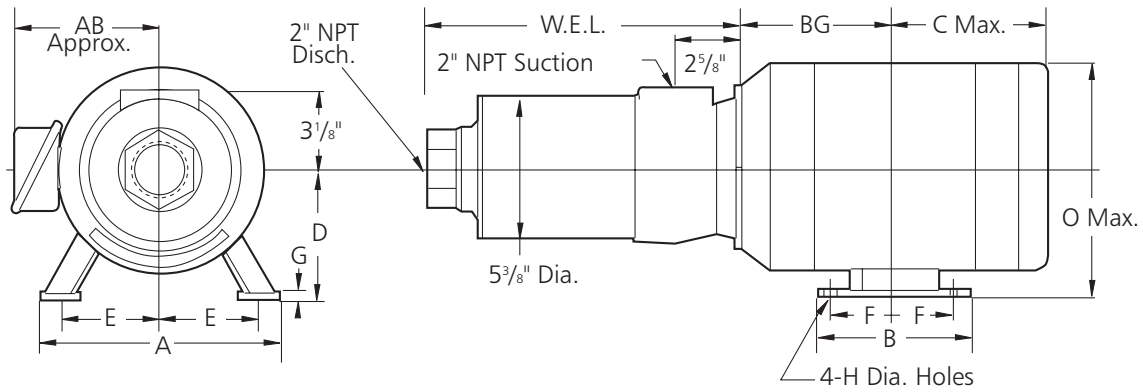


Item No.	Description	Material
1	Hex shaft and coupling	300 series stainless steel
2	Suction housing	Brass (ASTM B584)
3	Discharge head	Brass (ASTM B584)
4	Shaft sleeve	300 series stainless steel
5	Bowl	300 series stainless steel
6	Diffuser	Glass-filled thermoplastic
7	Impeller	Glass-filled thermoplastic
8	Marine bearing	BUNA
9	Casing	300 series stainless steel
10 ①	Intermediate bearing spider	Brass (ASTM B584) – only on 9 and 10 stage units
11	Mechanical seal	Carbon/ceramic faces, BUNA elastomers, 300 series stainless steel metal parts.

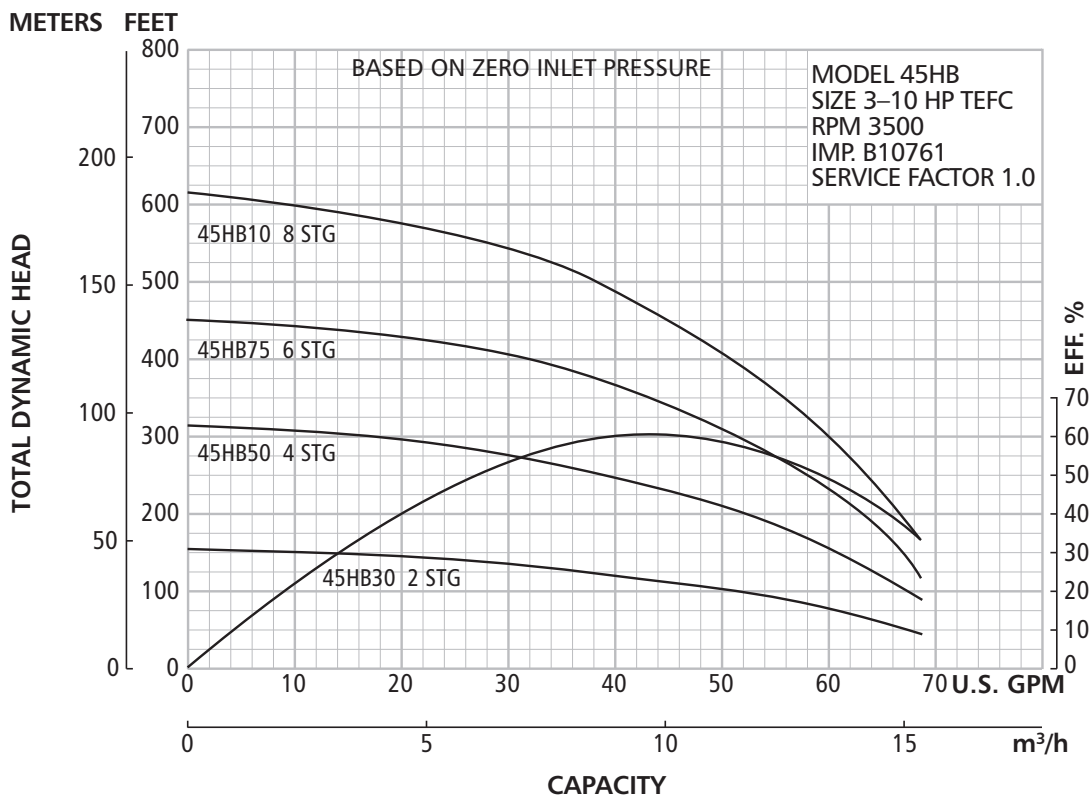
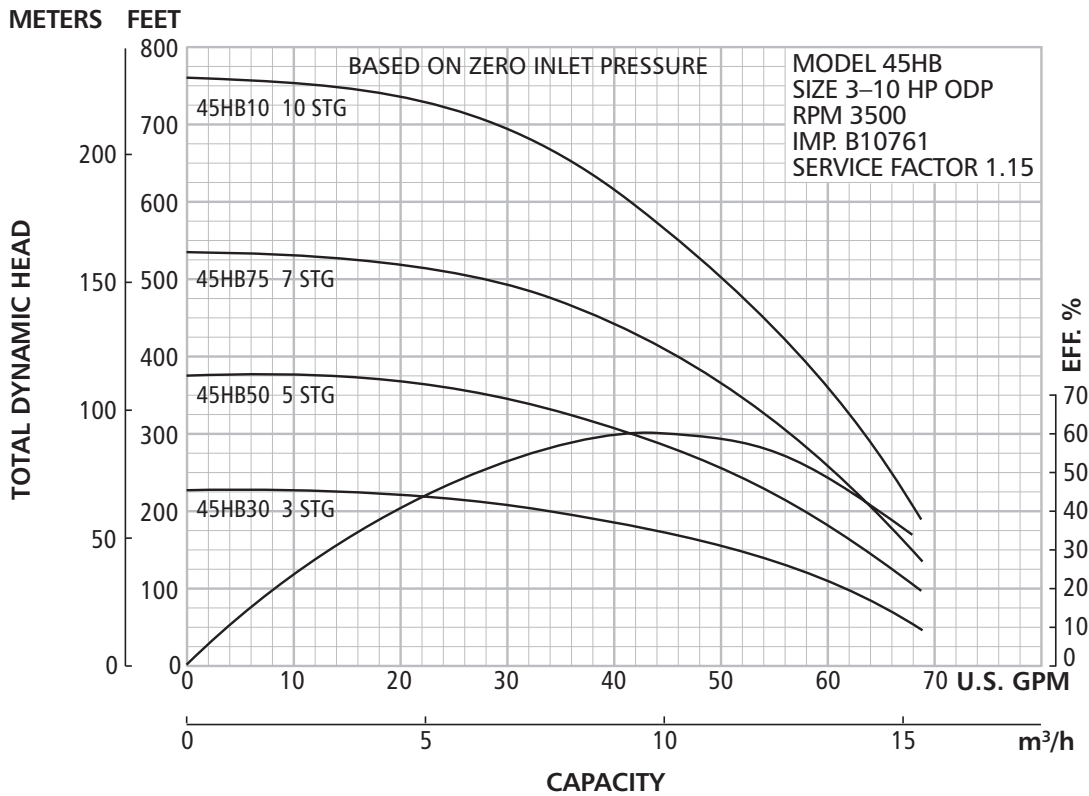
DIMENSIONS – determined by motor (in inches)

Frame	A	AB	B	BG	C	D	E	F	G	H	O
145	6½	5¼	5 ¹⁵ / ₁₆	4 ⁷ / ₈	6	3½	2¾	2	5/32	1 ¹ / ₃₂	6 ⁵ / ₈
1 ⁸² / ₁₈₄	8½	6	6½	5¾	9 ⁹ / ₁₆	4½	3¾	2¼	5/32	1 ³ / ₃₂	8½
2 ¹³ / ₂₁₅	9½	7¾	8	7¼	9 ⁷ / ₁₆	5¼	4¼	2¾	7/32	1 ³ / ₃₂	10 ³ / ₁₆

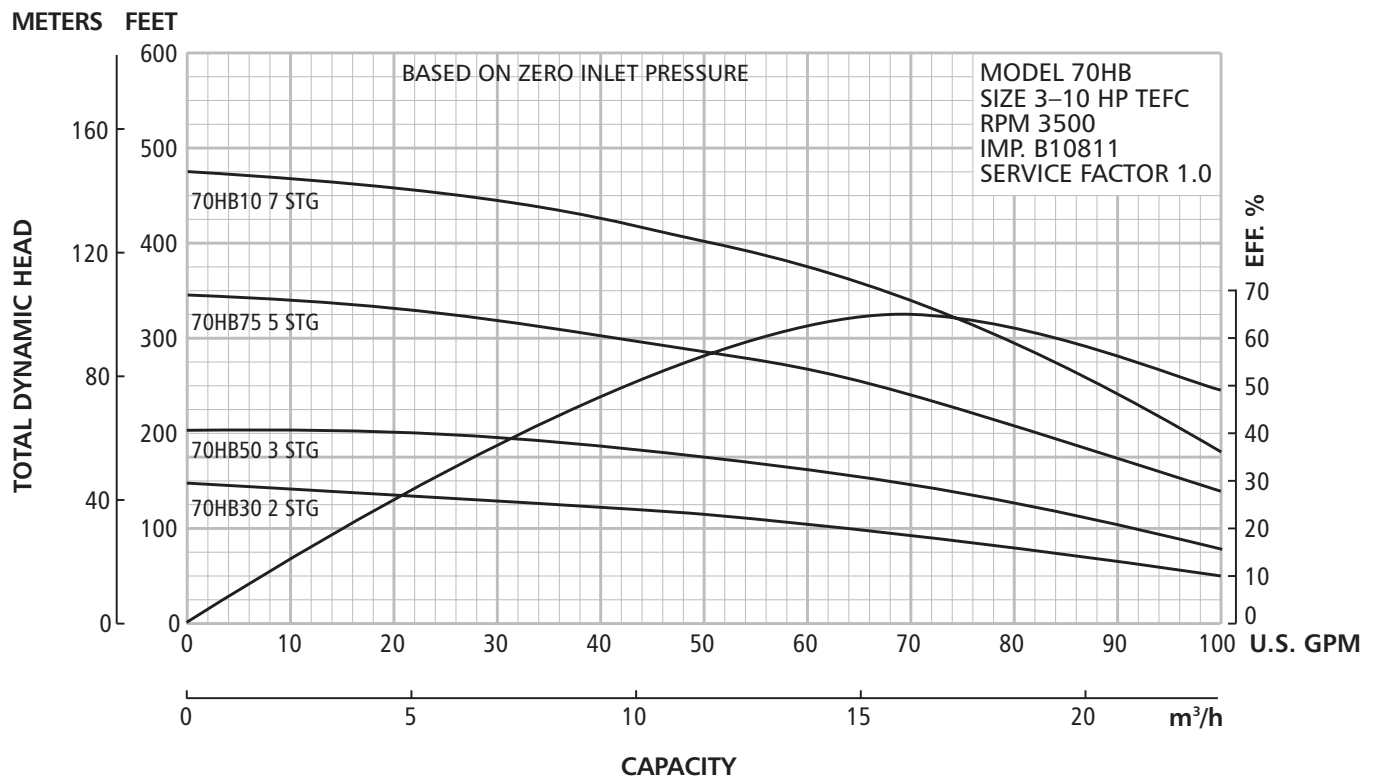
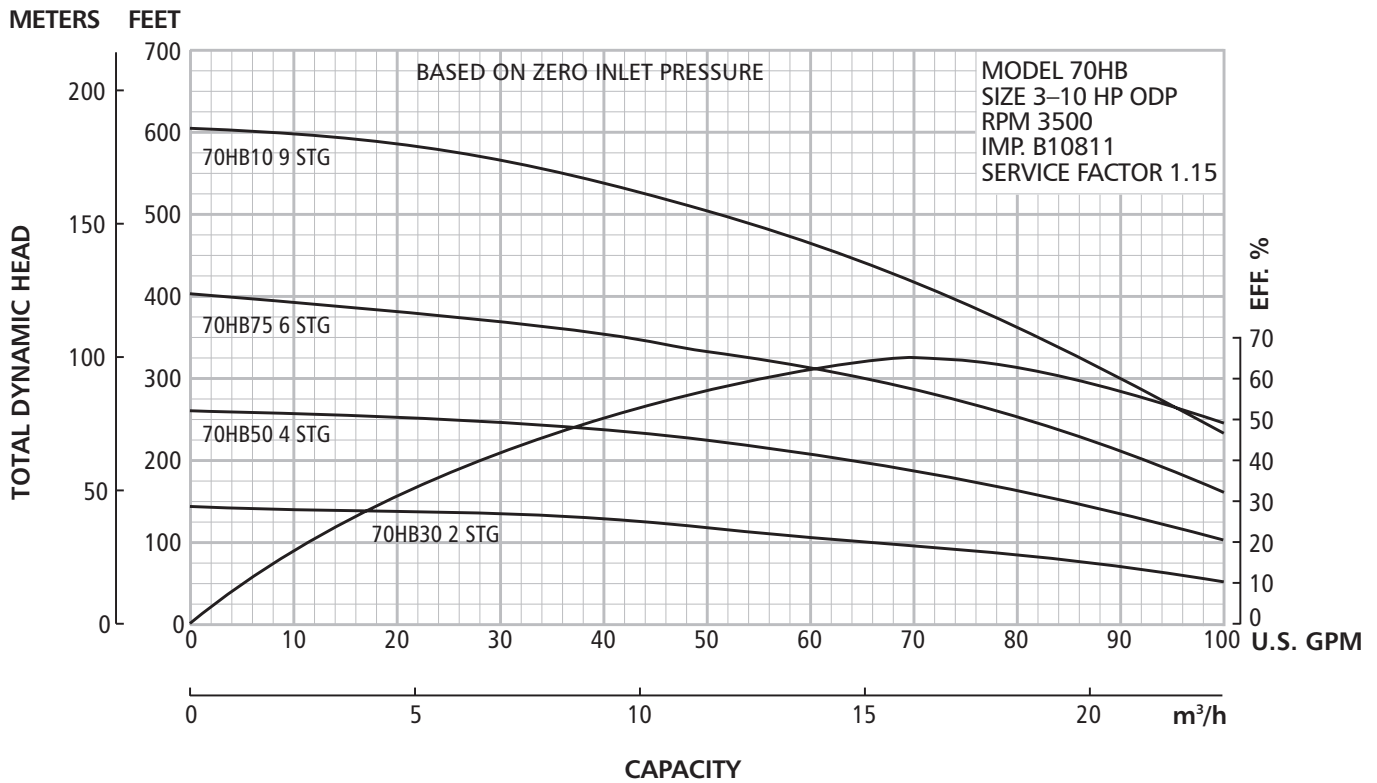
(All dimensions are in inches. Do not use for construction purposes.)



45HB CLOSE-COUPLED MULTI-STAGE PUMP CURVES



70HB CLOSE-COUPLED MULTI-STAGE PUMP CURVES



Xylem |'zīləm|

- 1) The tissue in plants that brings water upward from the roots;
- 2) a leading global water technology company.

We're 12,000 people unified in a common purpose: creating innovative solutions to meet our world's water needs. Developing new technologies that will improve the way water is used, conserved, and re-used in the future is central to our work. We move, treat, analyze, and return water to the environment, and we help people use water efficiently, in their homes, buildings, factories and farms. In more than 150 countries, we have strong, long-standing relationships with customers who know us for our powerful combination of leading product brands and applications expertise, backed by a legacy of innovation.

For more information on how Xylem can help you, go to www.xylem.com



Xylem, Inc.
2881 East Bayard Street Ext., Suite A
Seneca Falls, NY 13148
Phone: (800) 453-6777
Fax: (888) 322-5877
www.xylem.com/brands/gouldswatertechnology

Goulds is a registered trademark of Goulds Pumps, Inc. and is used under license.
© 2012 Xylem Inc. B45-70HB February 2012