

FEATURES



Impeller: Cast iron multi-vane vortex style, with rip vane on the back edge of the impeller for removing stringy solids.

V model designation for vortex impeller

Casing: Cast Iron construction with large unobstructed passage way to pass large solids. Efficient air-filled motor

Stand: Optional stand for mounting without slide rail configuration. Part number: 7482200

Dual Mechanical Seals:

Up to 6.4 HP: For standard pumps, Tungsten Carbide vs. Ceramic seal faces standard on outer seals. Carbon vs. Ceramic standard on inner seals.

Over 6.4 HP: Tungsten Carbide vs. Tungsten Carbide faces standard on outer seals. Tungsten Carbide vs. Carbon standard on inner seals.

All elastomers shall be nitrile.

For All Explosion Proof: Tungsten Carbide vs. Ceramic faces standard on outer and inner seals. All elastomers shall be viton.

Seal Sensor / High Temperature Probe: Located in motor housing. If pumpage should begin to leak past lower seal it indicates to pump control panel a fault has occurred. **Requires MiniCAS device in the control panel.**

Capable of running dry without damage to components.

Designed for continuous operation, when fully submerged.

Explosion-proof available as option. FM approved.

Shaft: Corrosion resistant, 400 series stainless steel. Taper lock and impeller bolt on all models to guard against component damage on accidental reverse rotation.

Fasteners: 300 series stainless steel.

Grease for life bearings



3GV Plus

SUBMERSIBLE 3" SEWAGE PUMP - DUAL SEAL WITH SEAL SENSOR PROBE

APPLICATIONS

Specifically designed for the following uses:

- Sewage systems
- Dewatering/Effluent
- Water transfer
- Light industrial
- Commercial applications

Anywhere waste or drainage must be disposed of quickly, quietly and efficiently.

SPECIFICATIONS

Pump:

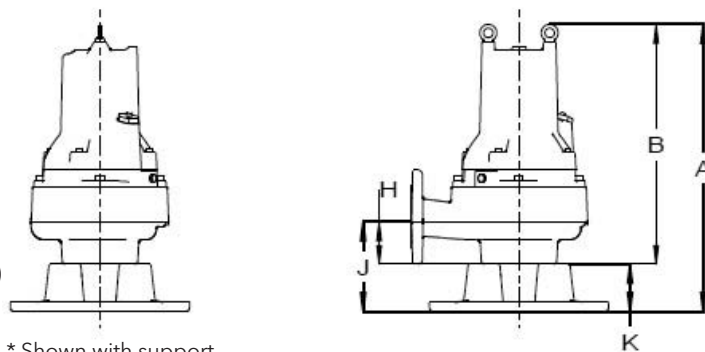
- Maximum soft solid size: 2½"
- Capacities: up to 575 GPM
- Total heads: up to 152' TDH
- Discharge size: 3" ANSI Flange

Motor:

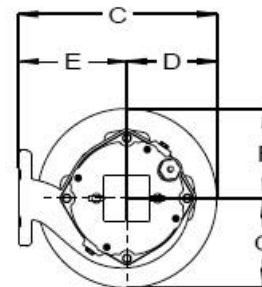
- Maximum ambient temperature: 104° F (40° C) continuous duty
- Rated for continuous duty when fully submerged
- Insulation: Class H
- 60 Hertz
- Single row ball bearings
- 400 Series stainless steel taper lock shaft
- Requires external motor components for single phase (not included)
- Requires overload protection in panel (not included)
- Includes high temperature sensor for winding protection

AIR-FILLED MOTOR

- Efficient heat dissipation
- Run dry capability
- Class H insulation
- Designed for Continuous Operation: Pump ratings are within the motor manufacturer's recommended working limits and can be operated continuously without damage when fully submerged.
- Bearings: Upper and lower heavy duty ball bearing construction for precision positioning of parts and to carry thrust loads.
- High temperature winding protection
- Cord: Severe duty rated, oil and water resistant. 30 foot standard.
- O-ring: Assures positive sealing against contaminants and oil leakage.



* Shown with support kit (sold separately).



DIMENSIONS

Model No.	A	B	C	D	E	F	G	H	J	K
3GV A, B, C, D Impeller	27.95" [710]	24.02" [610]	15.75" [400]	7.48" [190]	8.27" [210]	7.48" [190]	7.48" [190]	3.94" [100]	7.87" [200]	3.94" [100]
3GV F, G, H Impeller	24.53" [623]	20.59" [523]	15.35" [390]	7.48" [190]	7.87" [200]	7.48" [190]	7.48" [190]	3.94" [100]	7.87" [200]	3.94" [100]

Stand Optional, Part no. 15K80

MODEL AND MOTOR INFORMATION

Model No.	HP	Volts	Phase/Hz	Rated Current (Amps)	RPM	Imp. Dia. In (mm)	Insulation Class	Run Cap. (mfd/ volt)	Start Cap. (mfd/ volt)	Resistance (Ohms)	Aux. Resistance (Ohms)	Start Current (LR Amps)	Rated Motor KVA [Code]	Rated Motor Eff. (%)	Rated Power Factor (cos phi)	Starting Torque (NM)	Max. Torque (NM)	Pump Weight (lbs.)	Cable Size with water detector and thermostats	Capacitor Kits	
3GV1112AD	11.0 (8.2 Kw)	200	3 / 60	30.0	3450	"A" 5.71" (145 mm)		N/A	N/A	0.327	N/A	250	7.9 [J]	89.1	0.90	45.0	80.0	235	10AWG / 3-2-1-GC		
3GV1113AD		230		26.0						0.289		224	8.1 [K]	89.2	0.88	43.0	81.0				
3GV1114AD		460		13.0						1.156		112	8.7 [K]	89.1	0.86	49.0	88.0				
3GV1115AD		575		11.0						2.470		96	8.7 [K]	89.1	0.86	49.0	88.0				
3GV9511BD	9.5 (7.1 Kw)	230	3 / 60	40.0		"B" 5.43" (138 mm)		70mfd/400v	670mfd/330v	0.194	0.388	138	3.3 [B]	84.0	0.87	15.0	79.0				CP-954GB
3GV9512BD		200		26.5				0.327	250	7.9 [J]	89.1	0.90	45.0	80.0							
3GV9513BD		230		23.0				0.289	224	8.1 [K]	89.2	0.88	43.0	81.0							
3GV9514BD		460		11.5				1.156	112	8.7 [K]	89.1	0.86	49.0	88.0							
3GV9515BD	575	9.7	2.470	96		8.7 [K]	89.1	0.86	49.0	88.0											
3GV8218CD	8.2 (6.1 Kw)	208	3 / 60	40.0		"C" 5.12" (130 mm)		85mfd/400v	885mfd/330v	0.164	0.328	169	3.7 [C]	83.1	0.82	15.0	84.0				CP-952GB
3GV8211CD		230		37.0				0.194	0.388	138	3.3 [B]	84.0	0.87	15.0	79.0						
3GV8212CD		200		23.7				0.327	250	7.9 [J]	89.1	0.90	45.0	80.0							
3GV8213CD		230		20.6				0.289	224	8.1 [K]	89.2	0.88	43.0	81.0							
3GV8214CD	460	10.3	1.156	112		8.7 [K]	89.1	0.86	49.0	88.0											
3GV8215CD	575	8.7	2.470	96		8.7 [K]	89.1	0.86	49.0	88.0											
3GV6518DD	6.5 (4.9 Kw)	208	3 / 60	39.0		"D" 4.84" (123 mm)		85mfd/400v	885mfd/330v	0.164	0.328	169	3.7 [C]	83.1	0.82	15.0	84.0				CP-952GB
3GV6511DD		230		33.0	0.194			0.388	138	3.3 [B]	84.0	0.87	15.0	79.0							
3GV6512DD		200		20.7	0.327			250	7.9 [J]	89.1	0.90	45.0	80.0								
3GV6513DD		230		18.0	0.289			224	8.1 [K]	89.2	0.88	43.0	81.0								
3GV6514DD	460	9.0	1.156	112	8.7 [K]	89.1	0.86	49.0	88.0												
3GV6515DD	575	7.6	2.470	96	8.7 [K]	89.1	0.86	49.0	88.0												
3GV6412FD	6.4 (4.8 Kw)	200	3 / 60	18.0	"F" 4.65" (118 mm)		N/A	N/A	1.120	N/A	127	6.8 [H]	84.8	0.89	27.0	38.0	150	14AWG / 7			
3GV6413FD		230		16.0					1.050		110	6.8 [H]	85.3	0.89	23.0	38.0					
3GV6414FD		460		8.0					4.200		54	6.7 [H]	84.9	0.89	25.0	38.0					
3GV6415FD		575		6.3					9.730		43	6.7 [H]	84.5	0.90	26.0	37.0					
3GV5518GD	5.5 (4.1 Kw)	208	3 / 60	25.0	"G" 4.29" (109 mm)		70mfd/400v	650mfd/330v	0.617	1.234	109	4.1 [C]	80.3	1.00	16.0	37.0		CP-552GB			
3GV5511GD		230		22.0			0.825	1.650	96	4.0 [C]	80.5	1.00	15.0	34.0							
3GV5512GD		200		15.3			1.120	127	6.8 [H]	84.8	0.89	27.0	38.0								
3GV5513GD		230		13.6			1.050	110	6.8 [H]	85.3	0.89	23.0	38.0								
3GV5514GD	460	6.8	4.200	54	6.7 [H]	84.9	0.89	25.0	38.0												
3GV5515GD	575	5.4	9.730	43	6.7 [H]	84.5	0.90	26.0	37.0												
3GV4418HD	4.4 (3.3 Kw)	208	3 / 60	21.0	"H" 3.98" (101 mm)		70mfd/400v	650mfd/330v	0.617	1.234	109	4.1 [C]	80.3	1.00	16.0	37.0		CP-552GB			
3GV4411HD		230		18.0			0.825	1.650	96	4.0 [C]	80.5	1.00	15.0	34.0							
3GV4412HD		200		13.1			1.120	127	6.8 [H]	84.8	0.89	27.0	38.0								
3GV4413HD		230		11.6			1.050	110	6.8 [H]	85.3	0.89	23.0	38.0								
3GV4414HD	460	5.8	4.200	54	6.7 [H]	84.9	0.89	25.0	38.0												
3GV4415HD	575	4.6	9.730	43	6.7 [H]	84.5	0.90	26.0	37.0												

APPLICATION DATA

Maximum Working Pressure	75 PSI (5 bar) - Standard
	150 PSI (10 bar) - Explosion Proof
Maximum Submergence	66 feet (20 m)
Minimum Submergence	Fully submerged for continuous operation
Maximum Environmental Temperature	40°C (104°F) continuous operation

CONSTRUCTION DETAILS

Power / Sensor Cable	10/3-2-1 GC, type: three phase - 6.5 HP and up			
	10/3-2-1 GC, type: single and three phase - 6.5 HP and less			
Motor Cover	Gray Cast Iron - ASTM A48 Class 30			
Seal / Bearing Housing	Gray Cast Iron - ASTM A48 Class 30			
Casing	Gray Cast Iron - ASTM A48 Class 30			
Impeller	Cast Iron			
Motor Shaft	AISI 400 Series Stainless Steel			
Motor Design	Air filled Class H			
Single Phase Capacitors	HP	Volt	Run	Start
	11 HP	208	85 MFD / 400V	885 MFD / 330V
	6.5 HP	230	70 MFD / 400V	670 MFD / 330V
	6.4 HP	208	70 MFD / 400V	650 MFD / 330V
4.4 HP	230	60 MFD / 400V	520 MFD / 330V	
Motor Overload Protection	Single/Three Phase: require ambient compensated Class 10, quick trip overloads in the control panel.			
Motor Seal Fail / High Temp. Detection	Seal fail sensor and high temp. in motor chamber. Connect to optional relays in control panel.			
External Hardware	300 Series Stainless steel			
Impeller Type	Vortex with pump out vanes on back shroud			
Oil Capacity - Seal Chamber	33.8 ounces			

MATERIALS OF CONSTRUCTION

Item No.	Part Name	Material Standard			
1	Impeller	Cast Iron			
2	Motor Cover	Cast Iron			
3	Shaft	400 SS			
4	Fasteners	300 SS			
5	Ball Bearings	Steel			
6	Power Cable	SOW, 30 feet			
7	O-Ring	BUNA-N			
8	Service	Rotary	Stationary	Elasto-mers	Metal Parts
	Upper	Carbon / Ceramic		Nitrile	300 Series SS
	Outer	Tungsten Carbide / Ceramic			

NOMENCLATURE DESCRIPTION

1st Character - Discharge Size

3 = 3" discharge

2nd and 3rd Characters - Series/Solids Size

GV = Vortex

4th Character - HP

44 = 4.4 HP 82 = 8.2 HP

55 = 5.5 HP 95 = 9.5 HP

64 = 6.4 HP 11 = 11.0 HP

65 = 6.5 HP

5th Character - Mechanical Seals

1 = 60 Hz/3500 RPM

6th Character - Phase/Voltage

1 = single phase, 230 V

8 = single phase, 208 V

2 = three phase, 200 V

3 = three phase, 230 V

4 = three phase, 460 V

5 = three phase, 575 V

7th Character - Impeller Diameter

Vortex

A = 5.71" F = 4.65"

B = 5.43" G = 4.29"

C = 5.12" H = 3.98"

D = 4.84"

8th Character - Cord Length

D = 30' (standard)

J = 100' (optional)

9th Character

X = Explosion Proof



Xylem, Inc.
 2881 East Bayard Street Ext., Suite A
 Seneca Falls, NY 13148
 Phone: (866) 325-4210
 Fax: (888) 322-5877
www.xylem.com/brands/gouldswatertechnology

Goulds is a registered trademark of Goulds Pumps, Inc. and is used under license.
 © 2012 Xylem Inc. B3GVPLUS R1 May 2012