

2AM32-P

GASOLINE ENGINE DRIVEN SELF-PRIMING PETROLEUM PUMP

FEATURES

- Convenient carrying handle or chassis mounting provides maximum portability.
- Shielded ignition and spark plug minimize the potential for stray electrical sparks.
- Convenient ON/OFF control switch
- Dual element air cleaner large capacity, semi-dry
- Advance technology OHC Subaru EX series engine. Quiet, efficient, easy starting and reliable.
- Low emissions, meets EPA Phase II and Carb Tier II regulations
- Spark-arresting muffler reduces the possibility of sparks due to carbon particles in the exhaust.
- Anti-sparking aluminum impeller lessens the chances for internal sparks.
- Stainless steel seal with Viton elastomers helps assure long life and effective sealing.
- Grounding cable reduces possibility of static electricity build-up.
- Rugged cast iron or ductile iron construction helps assure long life.
- Optional 2 wheel hand cart with pneumatic tires.

TYPICAL APPLICATIONS

- Transfer Services
- Petroleum Handling
- Fueling Systems
- Tank Car Loading/Unloading
- Bulk Plant Services
- Sump Services
- Water Circulation

APPLICATION

This pump is designed to pump petroleum products such as diesel fuel, jet fuel or gasoline in well-ventilated areas where the lack of electricity makes it impossible to use pumps driven by explosion-proof electric motors.

PUMP SPECIFICATIONS

- Size: 2" (50.8 mm) NPT Suction and discharge connections
- Flows to: 140 GPM (cu. m/hr.)
- Heads to: 90 feet (76 m)
- Weight: 67 lbs

MODEL 2AM32-P – 4.5 HP						
CAPACITIES IN U.S. GALLONS PER MINUTE CONTINUOUS SERVICE (Governed Throttle)						
Total Head (INCLUDING FRICTION)		Total-Static-Suction Lift in feet				
FEET	PSI	5'	10'	15'	20'	25'
20	8.6	127	107	-	-	-
25	10.8	127	107	91	-	-
30	13.0	125	107	91	74	-
35	15.2	117	107	91	74	50
40	17.3	111	106	90	74	50
50	21.6	95	95	90	74	50
60	26.0	78	78	78	73	50
70	30.3	58	58	58	58	50
75	32.5	50	50	50	50	50

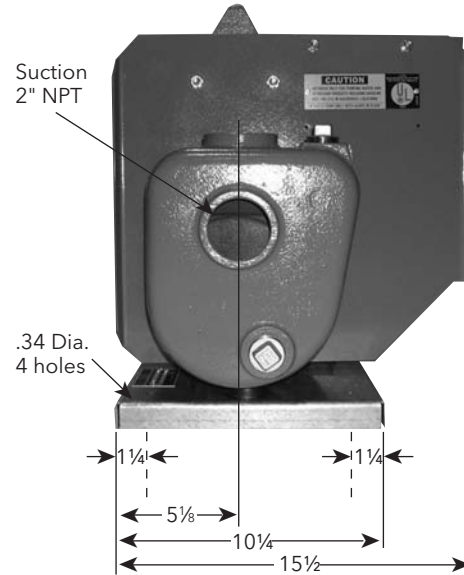
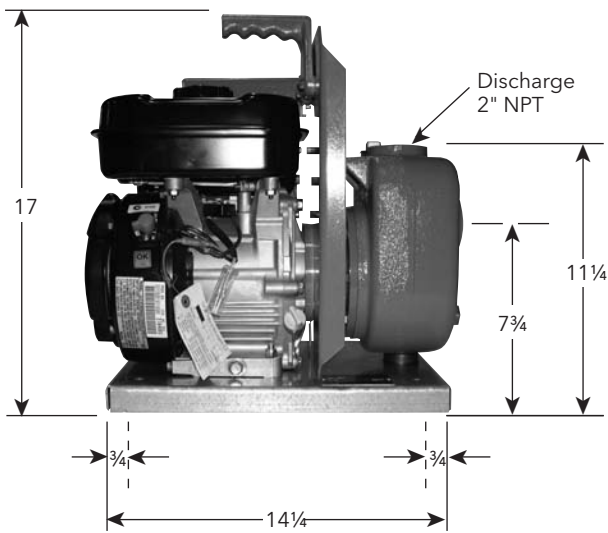
WARNING: This pump is designed for petroleum products in a non-combustible, well ventilated area. To reduce the risk of fire or explosion, do not operate near open flames, sparks or any other ignition source.

Do not operate the unit in an explosive atmosphere or unventilated area. Always connect the grounding wire to the nearest grounding point on the tank to be filled. Shut off and allow the engine to cool before refueling.



Shown with optional chassis

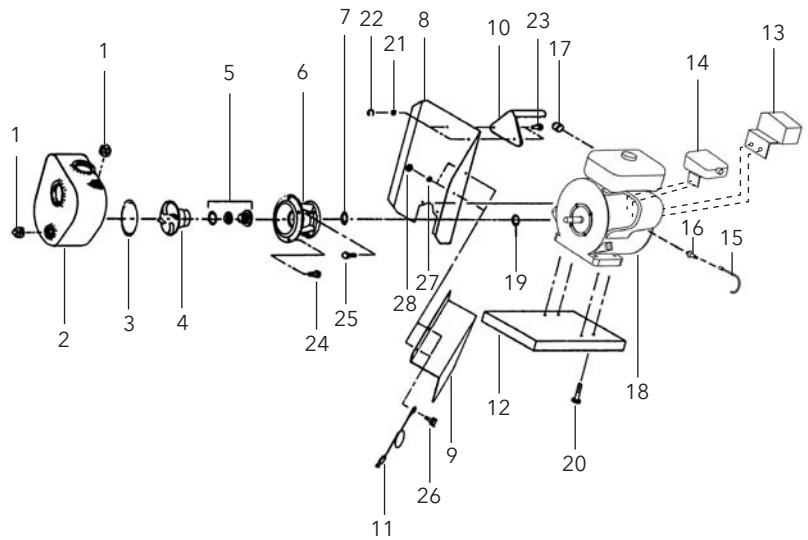
DIMENSIONS AND WEIGHTS



All dimensions are in inches. For reference only.

COMPONENTS LIST

Item No.	Part Description
1	Pipe Plug
2	Casing
3	Gasket - O-ring
4	Impeller - Open
5	Seal Assembly
6	Bracket
7	Slinger
8	Splash Deflector
9	Muffler Guard
10	Handle
11	Ground Cable
12	Base
13	Air Cleaner
14	Spark Arresting Muffler
15	Shield - Spark Plug Wire
16	Spark Plug
17	Rotary Ignition Switch
18	Engine Assembly (includes engine, plus items 14-18)
19	Gasket - O-ring
20-26	Capscrew
27	Lockwasher
28	Nut



Xylem |'zīləm|

- 1) The tissue in plants that brings water upward from the roots;
- 2) a leading global water technology company.

We're 12,500 people unified in a common purpose: creating innovative solutions to meet our world's water needs. Developing new technologies that will improve the way water is used, conserved, and re-used in the future is central to our work. We move, treat, analyze, and return water to the environment, and we help people use water efficiently, in their homes, buildings, factories and farms. In more than 150 countries, we have strong, long-standing relationships with customers who know us for our powerful combination of leading product brands and applications expertise, backed by a legacy of innovation.

For more information on how Xylem can help you, go to www.xyleminc.com



Xylem, Inc.
2881 East Bayard Street Ext., Suite A
Seneca Falls, NY 13148
Phone: (800) 453-6777
Fax: (888) 322-5877
www.xyleminc.com/brands/gouldswatertechnology

Goulds is a registered trademark of Goulds Pumps, Inc. and is used under license.
© 2012 Xylem Inc. B2AM32P May 2007