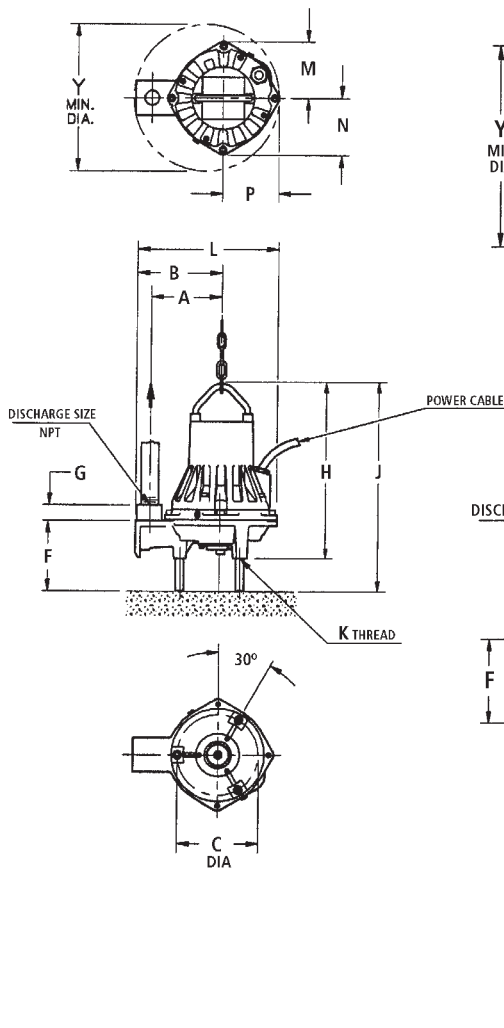


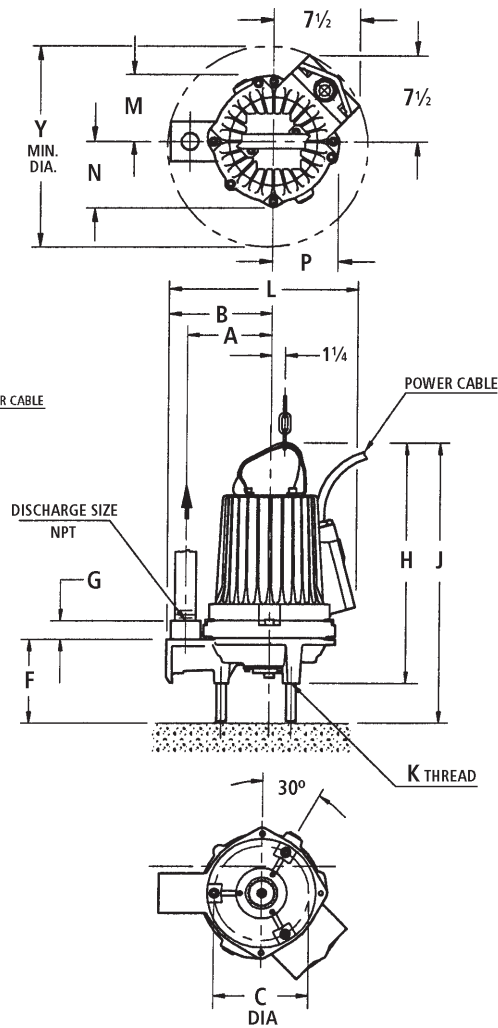
1GA & 2GA

1½" AND 2" DISCHARGE - SUBMERSIBLE GRINDER PUMPS

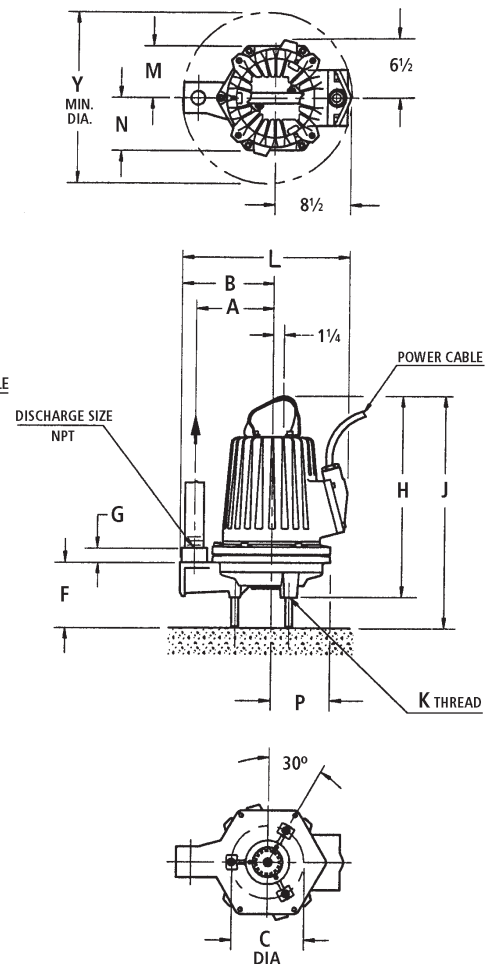
DRAWING 1



DRAWING 2



DRAWING 3



DIMENSIONS (All dimensions are in inches. Do not use for construction purposes.)

Drawing Number	Pump Series	HP	Phase	Disch. Size	A	B	C	F	G	H	J	K	L	M	N	P	Y	Wt. (lbs.)		
1	1GA	2	1	1.5"	7.0	8.75	7.94	7.25	1.5	17.5	20.5	M16	14.25	5.5	5.5	5.5	14.5	117		
		3	3			8.5		7.0		20.5	23.75		16.0				17.5	172		
3		1																		
5		3																		
2	2GA	3	1	2"	7.5	9.0	7.94	7.0	1.5	20.5	23.75	M16	16.5	5.5	5.5	5.5	17.5	172		
		5	3			8.5		7.25		22.0	25.5		18.5				5.75	5.75	6.5	18.5
5		1																		
7.5		3																		

Xylem Inc.

2881 East Bayard Street Ext., Suite A, Seneca Falls, NY 13148

Phone: (866) 325-4210 Fax: (888) 322-5877

www.xylem.com/brands/gouldswatertechnology

