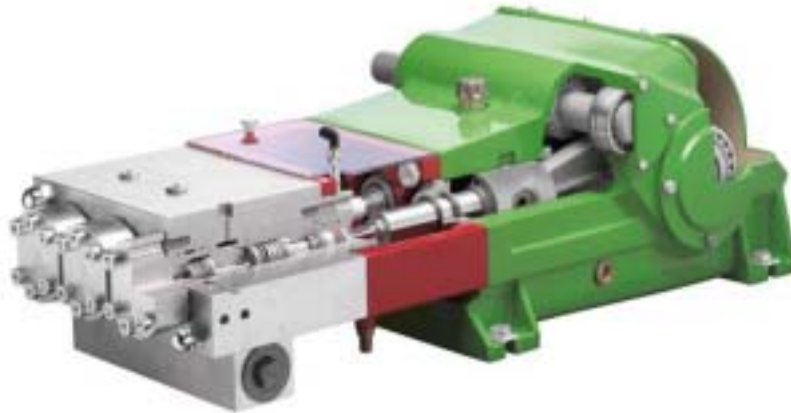




XP35000 Series Triplex Plunger Pump



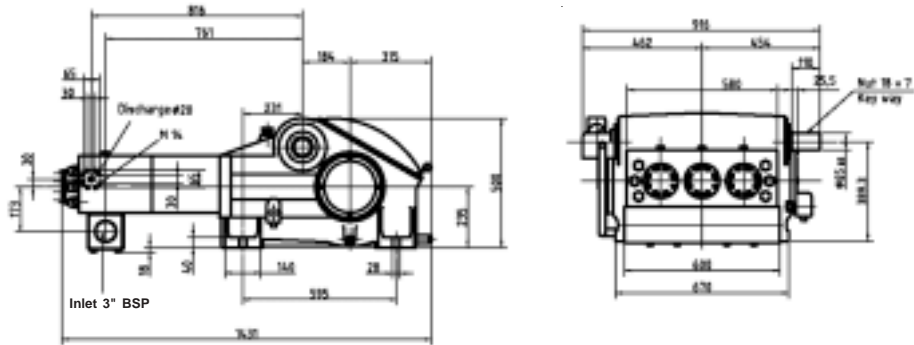
Rated Speed 440 RPM		Pressure in PSI (bar) @ Rated Input Power in HP (kW)				Pump Head Style		
Model #	Flow GPM (lpm)	375.5 (280)	422.4 (315)	442.5 (330)	469.4 (350)	A	M	MC
XP35018	12.4 (47)	44,950 (3100)	50,750 (3500)			X		
XP35020	15.3 (58)	36,250 (2500)	40,600 (2800)	42,775 (2950)	45,675 (3150)	X		
XP35022	18.5 (70)	30,088 (2075)	33,858 (2335)	35,380 (2440)	36,250 (2500)	X		
XP35024	21.9 (83)	25,375 (1750)	28,420 (1960)	29,725 (2050)	31,900 (2200)	X		
XP35026	25.9 (98)	21,460 (1480)	24,215 (1670)	25,375 (1750)	27,260 (1880)	X		
XP35028	30.1 (114)	18,560 (1280)	20,880 (1440)	22,330 (1540)	23,490 (1620)	X		
XP35030	34.6 (131)	16,675 (1150)	18,850 (1300)	19,575 (1350)	20,880 (1440)	X		
XP35032	39.3 (149)	14,790 (1020)	16,675 (1150)	17,400 (1200)	18,343 (1265)	X		
XP35036	49.6 (188)	11,818 (815)	13,123 (905)	13,775 (950)	14,500 (1000)	X		
XP35040	61.2 (232)	9,643 (665)	10,948 (755)	11,310 (780)	11,745 (810)	X		
XP35045	77.6 (294)	7,613 (525)	8,628 (595)	9,063 (625)	9,280 (640)	X		
XP35050	95.8 (363)	5,873 (405)	6,598 (455)	6,960 (480)	7,232 (505)	X	X	
XP35055	115.9 (439)	4,858 (335)	5,438 (375)	5,728 (395)	6,090 (420)		X	X
XP35060	138.1 (523)	4,060 (280)	4,568 (315)	4,785 (330)	5,075 (350)		X	X
XP35065	161.8 (613)	3,480 (240)	3,915 (270)	4,133 (285)	4,350 (300)		X	X
XP35070	187.7 (711)	2,973 (205)	3,335 (230)	3,553 (245)	3,770 (260)		X	X
XP35075	215.4 (816)	2,610 (180)	2,900 (200)	3,045 (210)	3,263 (225)			X
XP35085	276.9 (1049)	2,030 (140)	2,320 (160)	2,393 (165)	2,538 (175)			X
XP35095	345.8 (1310)	1,595 (110)	1,813 (125)	1,885 (130)	2,030 (140)			X

Subject to change without notice

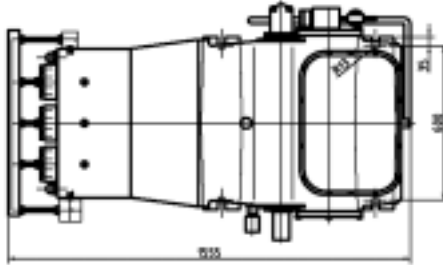
- Flow rate is based on 100% volumetric efficiency and 68° F (20° C) ambient temperature.
- Depending on fluid medium a minimum inlet pressure is required.
- Depending on rod loading a minimum crankshaft RPM is required.
- Gear with force fed lubrication and oil cooler
- Standard gear ratios: 3.39:1; 4.05:1; 4.76:1; 5.25:1
- Weight: 2,684 lbs (1220kg)
- API 674 specifications available upon request.
- Contact your local distributor or Giant Industries for use with special mediums. i.e. seawater, glycol, methanol, oil, etc.

XP35000 Dimension (mm)

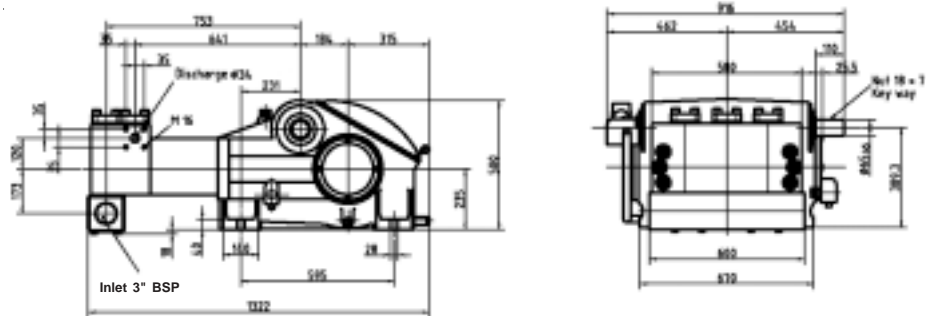
High Pressure Head "A"



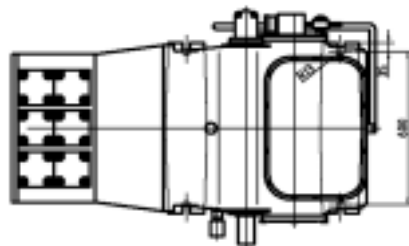
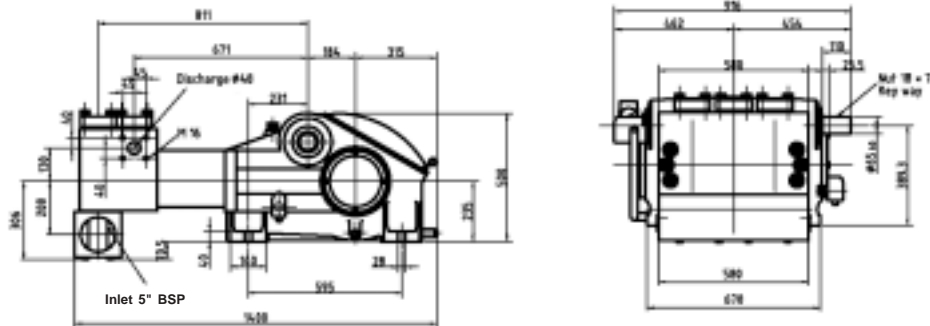
High Pressure Head "A"
≥ 29,000 PSI (2000 bar)



Compact Head "M"



Compact Head "MC"
Low Pressure



Giant Industries, Inc.
900 N. Westwood Ave.
Toledo, OH 43607
419-531-4600
419-531-6836 Fax

www.giantpumps.com

