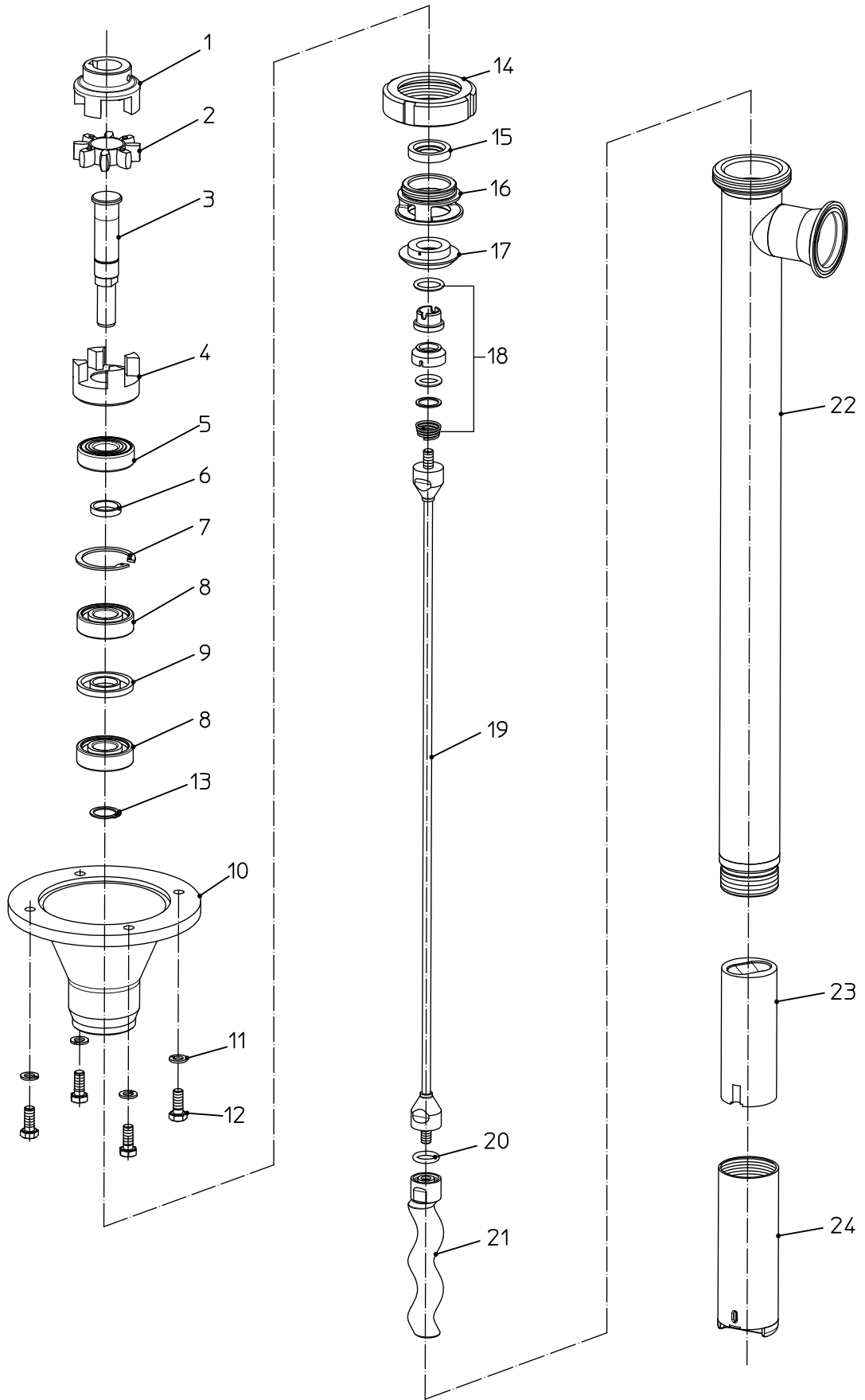




Exzentrerschneckenpumpe F 560 S...-50/21
Eccentric worm-drive pump
Pompe à vis hélicoïdale excentrée





Item No.	Qty. per unit	Description	Part No. F 560 S1/2/3-50/21	Part No.
		Version according to exploded view No. 560 80 001 – 11/2010 – from Serial No. 5602000		
1	1	Coupling, motor side	560 28 039	
2	1	Coupling insert	620 14 004	
3	1	Upper shaft	560 28 019	
4	1	Coupling, pump side	560 28 014	
5	2	Sprag clutch	923 99 000	
6	1	Distance ring	550 24 320	
7	1	Circlip	918 72 002	
8	2	Grooved ball bearing	922 90 001	
9	1	Distance ring	550 24 302	
10	1	Bearing flange	560 28 020	
11	4	Spring washer	909 95 002	
12	4	Hexagonal screw	900 91 009	
13	1	Criclip	918 40 000	
14	1	Union nut	907 90 056	
15	1	Shaft seal	925 40 001	
16	1	Centering flange	550 24 349	
	1	Seal kit, consisting of:	560 28 006	
17	1	Centering disc	550 24 362	
18	1	Sliding ring gasket complete comprising: O-ring Ø 15 x 3,5 (FKM) O-ring Ø 19,2 x 3 (FKM)	958 25 102 925 35 003 925 35 001	
19	1	Shaft, immersion length 700 mm	560 28 073	
	1	Shaft, immersion length 1000 mm	560 28 074	
	1	Shaft, immersion length 1200 mm	560 28 075	
	1	Shaft, immersion length 1500 mm	560 28 076	
20	1	O-ring Ø 15 x 3,5 (FKM)	925 35 003	
21	1	Eccentric worm	560 28 064	

Attention: Please always give full description, part no. and quantity of parts required.



Item No.	Qty. per unit	Description	Part No.	Part No.
		Version according to exploded view No. 560 80 001 – 11/2010 – from Serial No. 5602000	F 560 S1/2/3-50/21	
22	1	For Type F 560 S1-50/21 with outlet Rd 58 x 1/6: Outer tube, length 700 mm, electrolytically polished	560 28 032	
	1	Outer tube, length 1000 mm, electrolytically polished	560 28 033	
	1	Outer tube, length 1200 mm, electrolytically polished	560 28 034	
	1	Outer tube, length 1500 mm, electrolytically polished	560 28 035	
	1	Flat seal Ø 36/46 x 5	925 79 030	
22	1	For Type F 560 S2-50/21 with outlet G 1 ½ A: Outer tube, length 700 mm, electrolytically polished	560 28 044	
	1	Outer tube, length 1000 mm, electrolytically polished	560 28 045	
	1	Outer tube, length 1200 mm, electrolytically polished	560 28 046	
	1	Outer tube, length 1500 mm, electrolytically polished	560 28 047	
22	1	For Type F 560 S3-50/21 with outlet Clamp 2“: Outer tube, length 700 mm, electrolytically polished	560 28 056	
	1	Outer tube, length 1000 mm, electrolytically polished	560 28 057	
	1	Outer tube, length 1200 mm, electrolytically polished	560 28 058	
	1	Outer tube, length 1500 mm, electrolytically polished	560 28 059	
23	1	Stator PTFE cpl., consisting of:	560 21 900	
	1	Stator PTFE	550 24 271	
24	1	Stator housing	560 28 067	

Attention: Please always give full description, part no. and quantity of parts required.