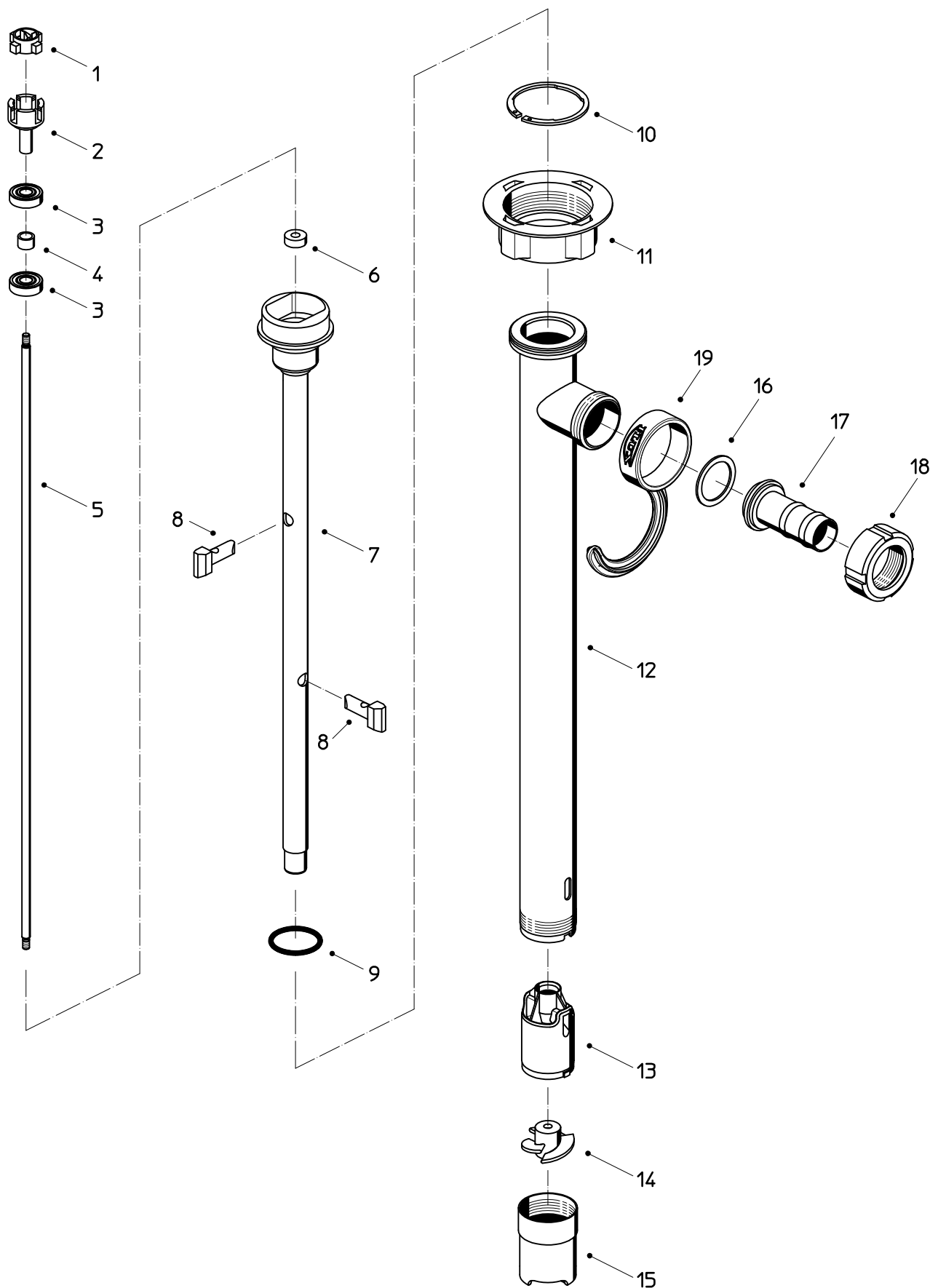




Hygienepumpe  
Sanitary Pump  
Pompe sanitaire

F 427 S3-43/38  
F 427 S4-43/38





**Sanitary Pump**  
**F 427 S3-43/38 – thread on outlet G 1 ¼ A**  
**F 427 S4-43/38 – thread on outlet Rd 58 x 1/6**

Page : 2  
Edition : 01/2007

Pos. No.	Qty. per unit	Description	Part No.	Part No.
			F 427 S3	F 427 S4
<b>Version according to exploded view</b>				
<b>Nr. 427 80 014 – 01/2007</b>				
	1	Inner tube complete (Pos. 1-9)		
		Immersion length 700 mm	427 90 026	427 90 026
		Immersion length 1000 mm	427 90 027	427 90 027
		Immersion length 1200 mm	427 90 028	427 90 028
	1	Coupling cage complete (Pos. 1-4)	427 21 048	427 21 048
1	1	Coupling star	410 14 028	410 14 028
2	1	Coupling cage	424 41 232	424 41 232
3	2	Grooved ball bearing	922 40 009	922 40 009
4	1	Spacer	908 83 019	908 83 019
5	1	Shaft		
		Immersion length 700 mm	420 51 247	420 51 247
		Immersion length 1000 mm	420 51 250	420 51 250
		Immersion length 1200 mm	420 51 252	420 51 252
6	1	Shaft seal Ø 6 x Ø 16 x 7 (PTFE)	925 11 003	925 11 003
7	1	Inner tube		
		Immersion length 700 mm	427 21 041	427 21 041
		Immersion length 1000 mm	427 21 042	427 21 042
		Immersion length 1200 mm	427 21 043	427 21 043
8		Bearing	427 21 012	427 21 012
	2	Immersion length 700 mm		
	3	Immersion length 1000 mm		
	4	Immersion length 1200 mm		
9	1	O-ring Ø 32 x 3 (FKM)	925 63 017	925 63 017
	1	Union nut c/w circlip (item 10 and 11)*	907 90 003	907 90 003
10	1	Circlip	918 80 002	918 80 002
11	1	Union nut	907 90 070	907 90 070
12	1	Outer tube		
		Immersion length 700 mm	427 21 035	-
		Immersion length 1000 mm	427 21 036	-
		Immersion length 1200 mm	427 21 037	-
	1	Outer tube with Pos. 16		
		Immersion length 700 mm	-	427 21 038
		Immersion length 1000 mm	-	427 21 039
		Immersion length 1200 mm	-	427 21 040
* Union nut c/w circlip only as replacement on pumps supplied before 01/2007.				

Attention: Please always give full description, part no. and quantity of parts required.

This list consists of 3 pages

**FLUX-GERÄTE GMBH D-75433 Maulbronn**

Rights reserved to make alterations and/or modifications



**Sanitary Pump**  
F 427 S3-43/38 – thread on outlet G 1 ¼ A  
F 427 S4-43/38 – thread on outlet Rd 58 x 1/6

Page : 3  
Edition : 01/2007

Pos. No.	Qty. per unit	Description	Part No. F 427 S3	Part No. F 427 S4
		<b>Version according to exploded view</b> <b>Nr. 427 80 014 – 01/2007</b>		
13	1	Bearing housing	427 21 033	427 21 033
14	1	Impellor	420 24 296	420 24 296
15	1	Foot piece	427 21 001	427 21 001
16	1	Seal Ø 36 x Ø 46 x 5 (PTFE)	-	925 79 030
19	1	FLUX-Clip	001 10 424	-
		Foodgrade grease / kg (for shaft seal)	952 00 012	952 00 012
		<b>Accessories for thread on outlet G 1 1/4 A:</b>		
		Hose connection complete DN 25 (item 16-18)	959 04 063	-
16	1	Flat seal	925 64 002	-
17	1	Hose connector DN 25	959 05 048	-
18	1	Nut for hose connector G 1 1/4	907 90 010	-
		<b>Accessories for thread on outlet Rd 58x1/6:</b>		
		Hose connection complete DN 25 (item 17 and 18)	-	959 04 115
17	1	Hose connector DN 25	-	959 05 178
18	1	Nut for hose connector Rd 58x1/6	-	907 90 046

Attention: Please always give full description, part no. and quantity of parts required.

This list  
consists of  
3 pages

**FLUX-GERÄTE GMBH D-75433 Maulbronn**

Rights reserved to  
make alterations  
and/or modifications