




Liquid Meter FMT 50 PP

Contents

1. Product description	2
2. Safety instructions	2
3. Technical Description	4
4. Operation	4
5. Fault monitoring	5
6. Meter programming	5
7. Spare parts construction and spare parts list	6
8. Dimensional Drawing	7
9. Chart of pressure loss	8
10. Features	8
11. Declaration of Conformity	9

1. Product description

The FMT 50 is a flow meter for flowing liquids based on the measuring principle of a turbine wheel meter. It can be used as a fixed meter or as a manual flow meter. The optional pulse generator allows it to be used in a fluid management system.

 **The FMT 50 must not be operated with flammable and explosive liquids from hazard material classes A I, A II and B. Liquids of hazardous material class A III must not be used, if they are heated above their flash point.**

The FMT 50 turbine wheel meter consists of a measurement chamber with a turbine wheel and a cover containing the evaluation electronic system as well as display and keyboard. The turbine wheel has a magnet pair which in the case of volume flow transfers the meter pulses to a reed switch on the evaluation electronic system.

2. Safety instructions

The device is a state of the art piece of equipment and has been constructed according to recognised safety specifications. It is nevertheless possible that use of the device will present hazards to the operator or to third parties, or may damage the device or other property. It is therefore essential to act in accordance with these operating instructions, and in particular with those sections identified as warnings.

Warnings and symbols

In the operating instructions, the following signs are used for highlighting important information.



Special information regarding the economic use of the device/machine.



Special information or "do's and don'ts" for damage prevention.



Information or "do's and don'ts" for the prevention of damage to persons or equipment.

Appropriate use

Caution! The device may only be used if it is in perfect condition, and then only for its intended purpose, in compliance with all safety regulations, with an awareness of the potential risks, and according to the operating instructions. Any faults that may impair the safety must be rectified immediately.



The system and its components are only to be used for handling the liquids listed and the purpose described. Using the machine for any other purpose would constitute inappropriate use. The manufacturer is not responsible for any damages arising as a result of this, the risk for this is borne only by the operator.

In the event of the measuring medium being contaminated by particles >150 µ, it is vital that suitable filters are used. If not the flow meter could become clogged and impaired in its operability.

When used in the urea range (AUS32), the urea solution must be in accordance with DIN 70070.

Organisational measures

Caution!

These operating instructions should always be kept readily available at the site of operation! Each person concerned with the assembly, commissioning, maintenance and operation of the equipment must have read and understood the entire manual. It is essential that the type plate and the warnings attached to the device are observed, and are maintained in a fully readable condition.

Qualified Personnel

Caution!

The operating, servicing and assembly personnel must be appropriately qualified for their work. The areas of responsibility, the accountability and the supervision of the personnel must be precisely determined by the operator. If the personnel do not have the required knowledge, they must be trained and instructed. The operator must also ensure that the contents of the operating instructions are properly understood by the personnel.

Water Protection



The device has been designed to handle materials that are hazardous to water. The regulations (e.g. WHG, VawS) applying to the site of operation are to be observed.

Servicing and Maintenance



According to the statutory regulations only specialist contractors are to be entrusted with work on systems for liquids that are harmful to water. No alterations, extensions, or conversions of the device with potential impact upon safety are permitted without prior consent of the manufacturer. Spare parts must comply with the technical requirements specified by the manufacturer. This is always assured if original spare parts are used.

Except for battery changing, only the manufacturer is to undertake manipulations of whatever kind on the flow meter.

Electric power



Work on the electrical equipment of the device may only be carried out by a qualified electrician or by trained persons under the guidance and supervision of a qualified electrician according to electro technical guidelines. Machine or system parts, on which inspection, maintenance or repair work is to be carried out, must be de-energised.

Hydraulics



Only persons with special knowledge and experience with hydraulic systems may carry out work on hydraulic parts and equipment. All lines, hoses and screw joints should regularly be checked for leaks and external damage. Any damage must be rectified immediately. Any oil spurting out can cause injuries and fire. The relevant safety regulations must be followed when handling oils, greases or other chemical substances!

3. Technical Description

3.1 Display

LC display with five-digit volume indicator with 16 mm high digits and display of the litre measurement unit (optional US-Gal, UK-Gal) and low battery capacity display.

The minimum digital step of the measured value is 0.02 litre and that of the non-resettable totalisers 1 litre.

3.2 Keyboard

Membrane keyboard with 2 keys: „Total“, „Reset“ and „Mode“.

3.3 Battery

Lithium battery (Type CR ½ AA, 3.6V, 1200 mAh) with a minimum operating life of approx. 10 years given a 1,000,000 litre flow rate during this period.

The battery can be replaced once the housing is opened. Cumulative and calibration values are not affected by replacement.

3.4 Acquisition of values

Logging the measurement chamber pulse signal.

Fault-redundant storage and read-out of measurement unit and calibrating factor.

4. Operation

4.1 Delivery state

On delivery the meter is provided with the factory "litre" measurement unit and the "1,000" calibrating factor. Pre-tested meters have a calibrating factor already factory-adjusted. Alternatively this adjustment can be undertaken at a later date. The meter as it is can meter deliveries.

4.2 Basic state, flow measurement

In the basic state the LC display indicates the metered volume since the last reset. The display has three digits before the decimal point and two after; 0.01 litres is the minimum digital step.

The "litre" measurement unit (optional US-Gal, UK-Gal) is shown on the lower line.

The keys are blocked when metering takes place.

4.3 Reset – "Reset" key

On pressing the "Reset" key, the programme status is shown for as long as the key remains pressed. On releasing the key, all the segments are tested one after the other followed by volume meter resetting. Should pulse signals proceed (volume flow) during the above, then the display test is interrupted and changed to the basic state.

4.4 Totaliser – Key „Total“

On pressing the "Total" key, the totaliser status is shown for as long as the key remains pressed. The display is rounded in litres (optional US-Gal, UK-Gal). Should pulse signals proceed (volume flow) during the display, then the totaliser status display is interrupted and changed to the basic state.

4.5 Calibrating factor display – Keys „Total“ + „Reset“

When the "Reset" key is pressed in addition to the pressed "Total" key (totaliser status display), the set calibrating factor is displayed for as long as the two keys are pressed. The calibrating factor can be between 0.500 and 1.500.

Should pulse signals proceed (volume flow) during the display, then the calibrating factor display is interrupted and changed to the basic state.

5. Fault monitoring

5.1 Battery symbol display in the basic state

The built-in 3.6 V lithium battery, type CR ½ AA, is designed for a minimum operating life of approx. 10 years given a 1,000,000 litre flow rate during this period. The appearance of the battery symbol in the basic state indicates that the battery capacity is exhausted and that the battery must be replaced within the next 6 months. The times may be reduced given extreme operating conditions such as a high flow rate or very low temperatures!

The battery can be replaced without tools once the housing is opened. Cumulative and calibration values are not affected by replacement.

5.2 Display of five dashes „-----“

The fact of the meter stopping operations and the appearance of five horizontal dashes in the display points to a fault in the evaluation electronics. As a result, the meter must be replaced.

6. Meter programming

The measurement unit (litre, US-Gal, UK-Gal) and the calibrating factor (0.500 - 1.500) can be set and stored in a fault-redundant manner.

Before a new calibrating factor can be established, a delivery must be made into a satisfactorily accurate vessel or undertaken by means of a reference meter. The new calibrating factor is calculated as follows:

$$Factor_{new} = Factor_{existing} \times \frac{Volume_{delivered}}{Volume_{shown}}$$

Example: A 2 litre measurement vessel is filled; the meter only indicates 1.90 litres. The existing calibrating factor is 1.040.

The new calibrating factor is calculated to:

$$1.040 \times \frac{2.00}{1.90} = 1.090 \text{ (rounded)}$$

Attention: No volume pulses are counted when the meter is in the programming mode. When no key is pressed for over 5 minutes in the programming mode, the meter automatically returns to the basic state.

6.1 Changing over into the programming mode

In order to get into the programming mode, the "Mode" key is to be pressed for approximately 5 seconds. Then all segments rapidly flash (approx. 3 Hz) on the LC display.

6.2 Setting the measurement unit

After releasing the "Mode" key, the measurement unit set appears in the display. Renewed pressing of the „Total“ key results in the measurement unit switching between „Litre“, „US-Gal“ and „UK-Gal“. Renewed pressing of the "Mode" key and the set measurement unit is taken on. Attention: Any change to the measurement unit causes the volume indicator and totaliser to be reset.

6.3 Setting the calibrating factor

After pressing the "Mode" key, the calibrating factor set appears in the display. Pressing the "Total" key results in the calibrating factor being counted up in 0.010 steps and pressing the „Reset“ key in it being counted down accordingly.

Press the "Mode" key and the set calibrating factor is taken on.

6.4 Resetting all settings (initialisation)

The effect of pressing and holding the "Total" and "Reset" keys at the same time when setting the measurement unit or calibrating factor is to delete all the meter values and carry out an initialisation.

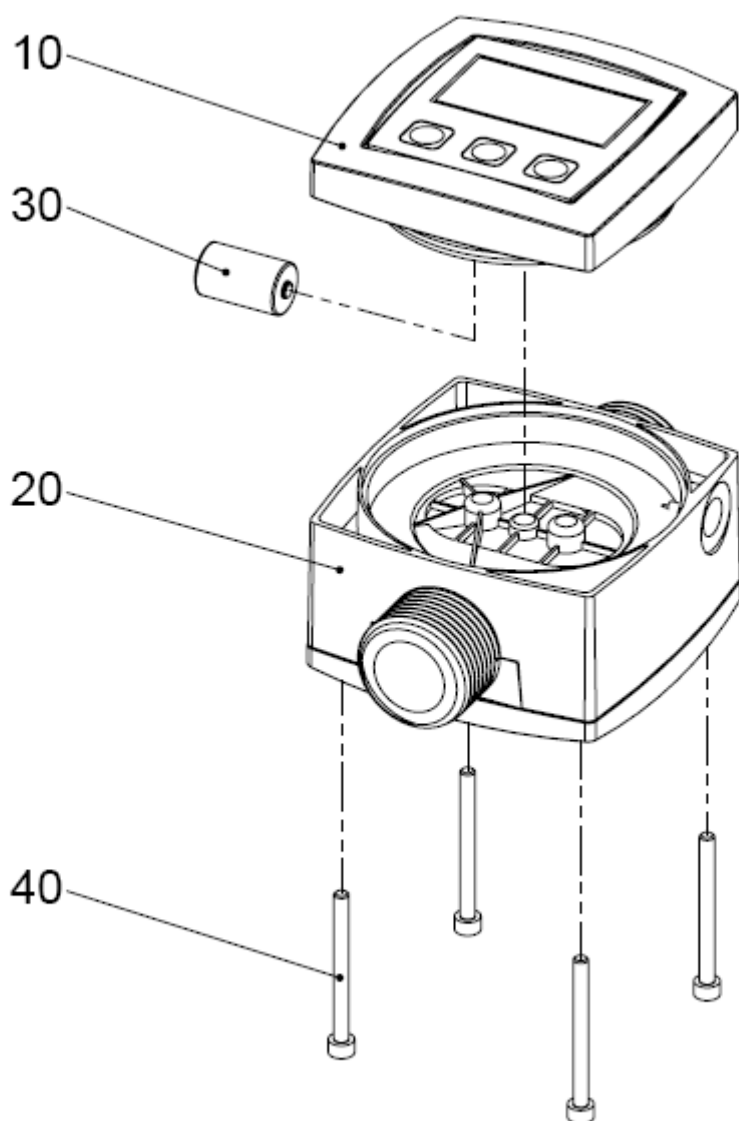
Following values are initialised:

Measurement unit:	Litre
Calibrating factor:	1.000
Delivery quantity:	0.00 litres
Totaliser:	0 litres

6.5 Ending the programming mode

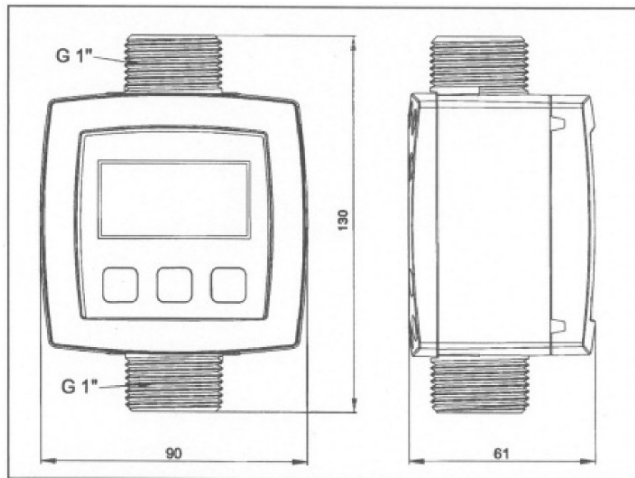
In order to end the programming mode, the "Mode" key is again to be pressed after setting the calibrating factor. The meter then reverts to the basic state. When no key is pressed for over 5 minutes in the programming mode, the meter automatically returns to the basic state.

7. Spare parts construction and spare parts list

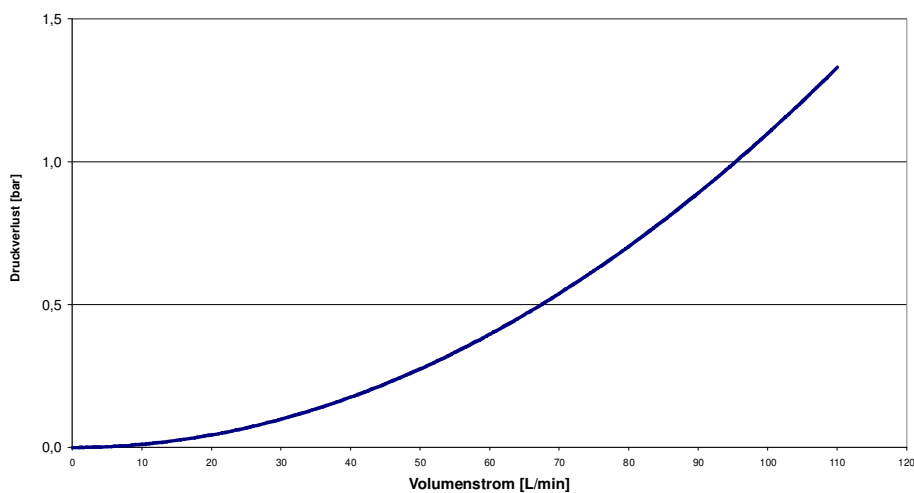


Spare parts list		
Pos.	Description	PP
10	Cover complete. + Battery	A05 00 001
20	Measuring chamber + typeplate	A05 00 002
30	Battery	940 04 033
40	Four cylinder head screws DIN 912 - M 4x45, A2	900 65 016

8. Dimensional drawing



9. Chart of pressure loss



10. Features

Volume flow range	5 – 50 l/min
Viscosity range	0.8 – 40 mPas
Operating pressure	4 bar
Burst pressure	9 bar
Accuracy uncalibrated	± 2%
Accuracy calibrated	± 1%
Repeat accuracy	± 0.5 %
Nominal width	1" External thread
Protection category	IP 65
Battery	Li-MO, Type CR ½ AA, 3,6 V, 1200 mAh, exchangeable
Pulser output:	optional, 25 Pulses/litre
Temperature range	Operation: -10°C - +50°C Storage: -20°C - +70°C
Dimensions approx.	90 x 130 x 61 mm
Weight approx.	0,3 kg

11. Declaration of Conformity

EG-Konformitätserklärung EC Declaration of Conformity Déclaration de Conformité CE

Hiermit erklären wir, dass die Bauart des **FLUX Flüssigkeits-Mengenmessers FMT 50** in den verschiedenen Werkstoffen und Bauarten in der gelieferten Ausführung den folgenden einschlägigen Bestimmungen entspricht:

We herewith confirm that the construction of the **FLUX Liquid Meter FMT 50** in different materials and versions corresponds to the following EC-rules:

Nous confirmons que la construction du **Compteur de Débit FLUX FMT 50** de matériaux et versions différents est conforme aux dispositions réglementaires suivantes:

(1) EG-Richtlinie Maschinen 2006/42/EG	EC Machinery Directive 2006/42/EC	Directive CE Machines 2006/42/CE
(2) EG-Richtlinie EMV 2004/108/EG	EC Electromagnetic Compatibility Directive 2004/108/EC	Directive CE Comptabilité Electromagnétique d'Appareils 2004/108/CE
(3) EG-Niederspannungsrichtlinie 2006/95/EG	EC Low Voltage Directive 2006/95/EC	Directive CE Bas Voltages 2006/95/CE

Angewendete harmonisierte Normen:
Applied harmonised standards:
Normes appliquées harmonisées

DIN EN 55014 DIN VDE 0843 T1

Maulbronn, 09.12.2009

FLUX-GERÄTE GMBH



Klaus Hahn
Managing Director



FLUX-GERÄTE GMBH

Talweg 12
Telefon: 07043 101-0
Fax International:
info@flux-pumpen.de

75433 Maulbronn
Telefax: 07043 101-444
+ 49 7043 101-555
www.flux-pumpen.de