

Operating Instructions



Sanitary Pump

Type F 520 S3A-50/45



FLUX PUMPS CORPORATION
4330 Commerce Circle
Atlanta, Georgia 30336
phone: 404-691-6010
fax: 404-691-6314
toll free: 800-FOR-FLUX
www.flux-pumps.com

Safety Instructions



- Do not use pump for transferring flammable products. Pump is not approved for use in hazardous locations (Zone 0).
- Only use the pump for its intended purpose.
- Install the pump in a way which ensures that it cannot fall into the container.
(Use an attachment clamp to fasten the pump into open containers).
- Only use the pump with a suitable hose.
- Ensure that the hose is securely fixed to the hosetail.
- Regularly check the hose and connections to ensure safe operation.
- The pump should not be immersed deeper into the liquid than the outlet connection.



- Comply with all relevant safety instructions. Wear appropriate protective clothing.
(Face shield, protective gloves, etc.).
- Comply with the operating instructions of the motor.
(Some three-phase motors have their safety instructions contained within the terminal box).



- Never operate the pump dry.
- The pump should not be exposed to the weather.
- Clean after each operation.
- Never store the motor in areas in which corrosive vapours exist.

For use in hazardous locations



- Only use motors which are approved for use in hazardous locations (ZONE 1).

- Explosion-proof three-phase motors
- Compressed air motors FPM 4, FPM 6, FPM 8
(approval not necessary).



- Observe Test Certificate or Certificate of Conformity.

- The explosion-proof motor has to be outside the container.
- Only use electrically conductive hoses (see TRbF 131 part 2). This will provide a conductive path for the pump, hoses and fittings.
- Only use an explosion-proof plug or an explosion-proof cable terminal box when making connections to the motor.
- If the electrical socket or the terminal box is positively located outside of the hazardous area, connection to explosion-proof equipment must not be undertaken.



- Regularly check the motors according to the relevant national safety regulations and/or rules for prevention of accidents. (In the Federal Republic of Germany these are for example VBG 4).



- Repairs to three-phase motors should only be carried out by the manufacturer or an authorized repair shop.



- The installation and operation must comply with the relevant Health & Safety Regulations. (In the Federal Republic of Germany these are " TRbF " and also "BG Chemie").

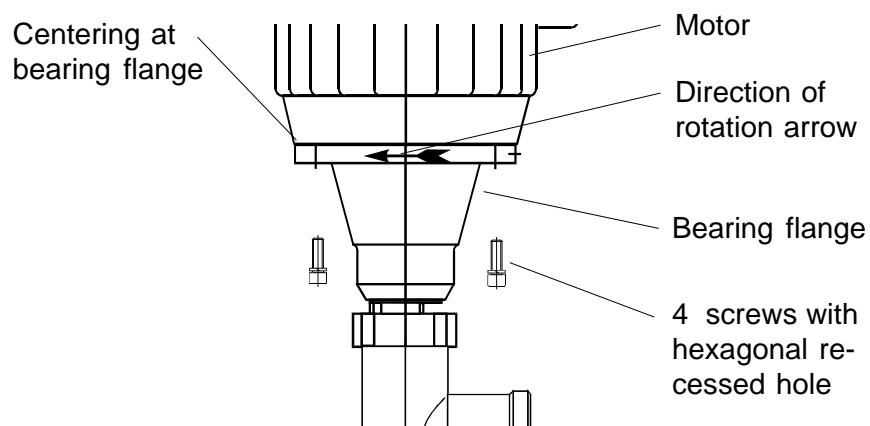
Starting Operation

Available drive motors:

- **Three-phase motors up to max. 4 kW**
- **Compressed air motors FPM 4, FPM 6, FPM 8**



- Installation of three-phase motors should only be carried out by suitably qualified personnel.
- Only use three-phase motors with a starter including an overload cut-out.
- Make sure that the supply voltage corresponds to the voltage indicated on the name plate. When using air motors, please do not exceed the maximum operating pressure and use a filter-regulator-lubricator unit.
- Check direction of rotation of the motor.
In case of portable use, check direction of rotation before starting each operation.
(Direction of rotation according to the arrow on the bearing flange).
- Clean bearing and motor flange.
- Fit the motor onto the bearing flange and tighten the screws.



- Immerse the pump into the liquid and secure it in a vertical position by the use of a compression gland or a container clamp.
- Before inserting the electrical plug into the socket or before connecting the air supply hose to the motor, set the Start/Stop switch to "0" (Stop).
- Insert the plug or connect the air supply hose.
- Switch on the motor.
- When using compressed air motors, adjust the speed by the operating pressure.
Do not exceed the maximum speed of 3000 min⁻¹ (rpm).

Cleaning after each operation

Clean the pump by flushing an appropriate cleaning agent.

- Pump and hose must be resistant to the cleaning agent.
- The pump should not be immersed into the cleaning agent deeper than the outlet connection.
- Do not use flammable liquids to clean pump or motor.
- After each operation with sticky or self hardening products, the pump should be flushed with a suitable cleaning agent. The pump should then be dismantled to carefully clean the sliding ring gasket and the lower bearing.

Storage

- Unplug the pump or disconnect the air supply hose.
- Use a wall bracket to store the pump in a vertical position.

Dismantling of the closed sliding ring gasket (SLRG)



- Do not damage sealing and/or sliding faces on SLRG.
- Do not damage sealing faces on outer tube and on centering piece.
- Do not use any tools to dismantle SLRG to avoid damage.

