



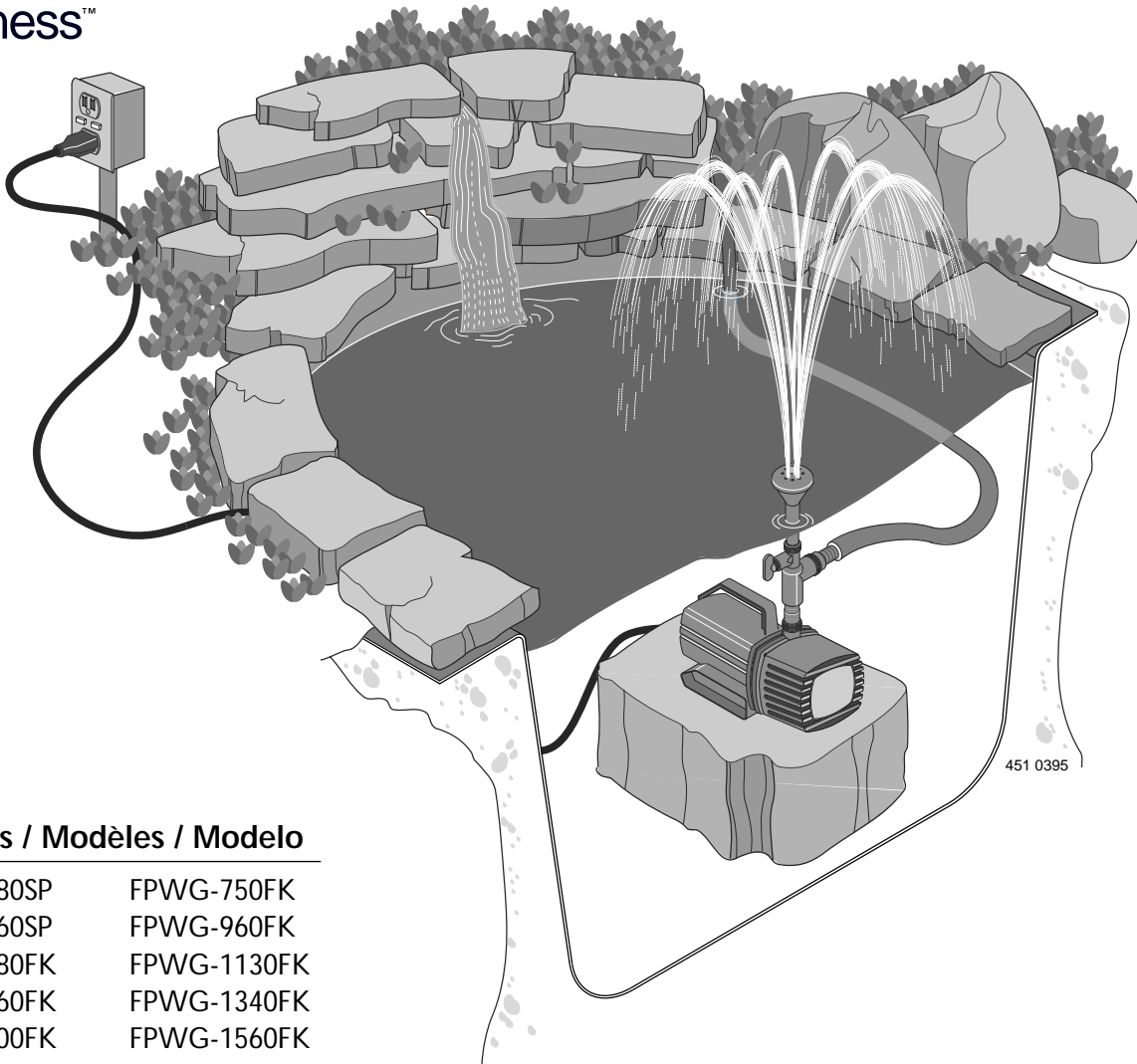
P.O. Box 342, Delavan, WI 53115
 Phone: 1-800-365-6832
 Fax: 1-800-526-3757
 E-Mail: flotec@flotecpump.com
 Web Site: http://www.flotecwater.com

**Water
 is Our
 Business™**

**OWNER'S MANUAL
 Statuary and Fountain Pumps**

**NOTICE D'UTILISATION
 Pompes de statue et de fontaine**

**MANUAL DEL USUARIO
 Bombas para fuentes y estatuas**



Models / Modèles / Modelo

- | | |
|------------|-------------|
| FPWG-180SP | FPWG-750FK |
| FPWG-260SP | FPWG-960FK |
| FPWG-180FK | FPWG-1130FK |
| FPWG-260FK | FPWG-1340FK |
| FPWG-400FK | FPWG-1560FK |
| FPWG-620FK | FPWG-2100FK |

Installation/Operation/Parts

For further operating, installation, or maintenance assistance:

Call 1-800-365-6832

English Pages 2-6

Installation/Fonctionnement/Pièces

Pour plus de renseignements concernant l'utilisation, l'installation ou l'entretien,

Composer le 1 (800) 365-6832

Français Pages 7-11

Instalación/Operación/Piezas

Para mayor información sobre el funcionamiento, instalación o mantenimiento de la bomba:

Llame al 1-800-365-6832

Español Páginas 12-16

READ AND FOLLOW SAFETY INSTRUCTIONS!

⚠ This is the safety alert symbol. When you see this symbol on your pump or in this manual, look for one of the following signal words and be alert to the potential for personal injury:

⚠ DANGER warns about hazards that **will** cause serious personal injury, death or major property damage if ignored.

⚠ WARNING warns about hazards that **can** cause serious personal injury, death or major property damage if ignored.

⚠ CAUTION warns about hazards that **will** or **can** cause minor personal injury or property damage if ignored. The label **NOTICE** indicates special instructions which are important but not related to hazards.

Carefully read and follow all safety instructions in this manual and on pump.

Keep safety labels in good condition. Replace missing or damaged safety labels.

GENERAL SAFETY

To avoid serious injury and/or property damage, read and follow these rules and instructions carefully.

1. Pump is designed to be used with clean, fresh, water. **Do not** use pump for salt water application, or for any flammable type liquid.
2. **Do not** handle pump with wet hands or when standing on wet or damp surface.

⚠ WARNING **Hazardous voltage.** Disconnect power before working on pump.


3. **Do not** lift pump by power cord at any time. Attempting to lift or support pump by power cord can damage cord and cord connections, and will void warranty.

4. This equipment is **only** for use on 115V, 60 Hz, circuits. **Do not** operate pump unless it is properly grounded

⚠ WARNING **Risk of electric shock.** Pump is supplied with a grounding conductor and a 3-prong grounding-type attachment plug. To reduce the risk of electric shock, be certain that it is connected only to a properly grounded 3-prong grounding type receptacle.

5. The National Electric Code requires a ground fault circuit interrupter (GFCI) be installed in the branch circuit supplying fountain pumps and other pond equipment. This device may be obtained at your local electrical supply dealer.
6. Check all local codes pertaining to outdoor ponds/fountains. You must comply with their rules.

⚠ Meet National Electrical Code, Canadian Electrical Code, and local codes for all wiring.

	<p>⚠ WARNING</p> <p>Hazardous voltage. Can shock, burn, or cause death.</p> <p>Disconnect power before working on pump.</p>
---	---

Flotec Limited Warranty

FLOTEC warrants to the original consumer purchaser ("Purchaser") of its products that they are free from defects in material or workmanship.

If within twelve (12) months from the date of the original consumer purchase any such product shall prove to be defective, it shall be repaired or replaced at FLOTEC's option, subject to the terms and conditions set forth below. Your original receipt of purchase is required to determine warranty eligibility.

Exceptions to the Twelve (12) Month Warranty

Ninety (90) Day Warranty:

If within ninety (90) days from original consumer purchase any Drill Pump, Pitcher Pump, or In-Line Water Filter Cartridge shall prove to be defective, it shall be replaced, subject to the terms set forth below.

Two (2) Year Warranty:

If within two (2) years from original consumer purchase any 1/3 HP Submersible Sump Pump or Model FP2800DCC shall prove to be defective, it shall be repaired or replaced at FLOTEC's option, subject to the terms and conditions set forth below.

Three (3) Year Warranty:

If within three (3) years from original consumer purchase any 4" Submersible Well Pump, or 1/2 HP Submersible Sump Pump, shall prove to be defective, it shall be repaired or replaced at FLOTEC's option, subject to the terms and conditions set forth below.

Four (4) Year Warranty:

If within four (4) years from original consumer purchase any FLOODMATE™ 7000 or IRONMATE™ Submersible Sump Pump shall prove to be defective, it shall be repaired or replaced at FLOTEC's option, subject to the terms and conditions set forth below.

Five (5) Year Warranty:

If within five (5) years from original consumer purchase any Pre-Charge water system tank shall prove to be defective, it shall be repaired or replaced at FLOTEC's option, subject to the terms and conditions set forth below.

General Terms and Conditions

Purchaser must pay all labor and shipping charges necessary to replace product covered by this warranty. This warranty shall not apply to acts of God, nor shall it apply to products which, in the sole judgement of FLOTEC, have been subject to negligence, abuse, accident, misapplication, tampering, alteration; nor due to improper installation, operation, maintenance or storage; nor to other than normal application, use or service, including but not limited to, operational failures caused by corrosion, rust or other foreign materials in the system, or operation at pressures in excess of recommended maximums.

Requests for service under this warranty shall be made by returning the defective product to the Retail outlet or to FLOTEC as soon as possible after the discovery of any alleged defect. FLOTEC will subsequently take corrective action as promptly as reasonably possible. No requests for service under this warranty will be accepted if received more than 30 days after the term of the warranty.

This warranty sets forth FLOTEC's sole obligation and purchaser's exclusive remedy for defective products.

FLOTEC SHALL NOT BE LIABLE FOR ANY CONSEQUENTIAL, INCIDENTAL, OR CONTINGENT DAMAGES WHATSOEVER.

THE FOREGOING WARRANTIES ARE EXCLUSIVE AND IN LIEU OF ALL OTHER EXPRESS WARRANTIES. IMPLIED WARRANTIES, INCLUDING BUT NOT LIMITED TO THE IMPLIED WARRANTIES OF MERCHANTABILITY AND FITNESS FOR A PARTICULAR PURPOSE, SHALL NOT EXTEND BEYOND THE DURATION OF THE APPLICABLE EXPRESS WARRANTIES PROVIDED HEREIN.

Some states do not allow the exclusion or limitation of incidental or consequential damages or limitations on how long an implied warranty lasts, so the above limitations or exclusions may not apply to you. This warranty gives you specific legal rights and you may also have other rights which vary from state to state.

In the U.S.: FLOTEC / P.O. Box 342 / Delavan, WI 53115

In Canada: Wicor Canada, 1800 Courtney Park Drive East, Unit 5-7, Mississauga, Ontario L5T 1W1

PUMP ASSEMBLY

Models FPWG-180SP and FPWG-260SP are pre-assembled. For all other models, refer to Figures 1 thru 3 for pump assembly as required by your model. Connections are either slip fit or threaded, no epoxy or thread compound is required.

INSTALLATION

1. Install pump on a hard level surface. Keep pump elevated from pond bottom to reduce maintenance. Position pump so that fountain jet is just above surface of water.
2. **Protect pump power cord from damage.** Uncovered cords should be routinely inspected for damage or deterioration. **DO NOT** operate pump if cord is damaged.
3. Adjust diverter valve to control fountain spray height, **DO NOT** restrict pump suction to accomplish this. Refer to performance chart (Page 4) for maximum fountain spray height for each individual model. (When used as a fountain only).
4. Pumps connected to pond filters must be adjusted at the diverter valve to provide adequate flow to the filter. Refer to filter instruction manual to determine flow requirement of individual filter units.
5. Use hose clamps to secure tubing connected to diverter valve fitting, pond filter or ornamental statuary.

OPERATION/MAINTENANCE

1. Pump is a submersible type and must be under water at all times for proper operation and cooling.

CAUTION Never run pump dry!

2. Clean inlet filter regularly. A clogged inlet filter will reduce flow which can damage the pump.

NOTICE: Most pumps are equipped with a thermal protector that will shut pump off if operating temperature becomes too high, possibly due to restricted flow, or a clogged impeller. Pump will restart when the motor has cooled sufficiently.

Periodically check to see that impeller rotation is not being hampered by any debris and to clean internal components.

Disassembly/Cleaning

Refer to exploded views, Pages 5 and 6, to match disassembly procedure with the pump you have purchased.

WARNING Hazardous voltage. Disconnect power before working on pump.

Models FPWG-180SP and FPWG-260SP

1. Remove pump body (Key 1, Page 5) by gently turning counter-clockwise and then pull away from motor.
2. Hand grip impeller assembly (Key 4, Page 5) and pull straight out, being careful not to damage ceramic shaft.

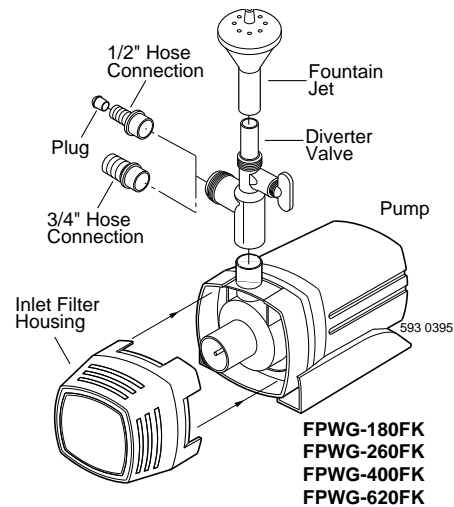


Figure 1

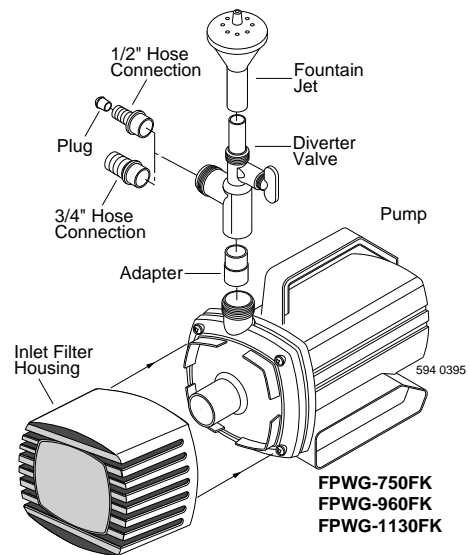


Figure 2

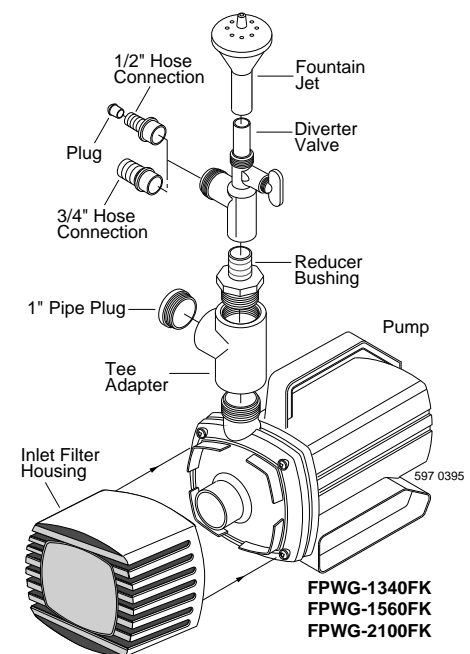
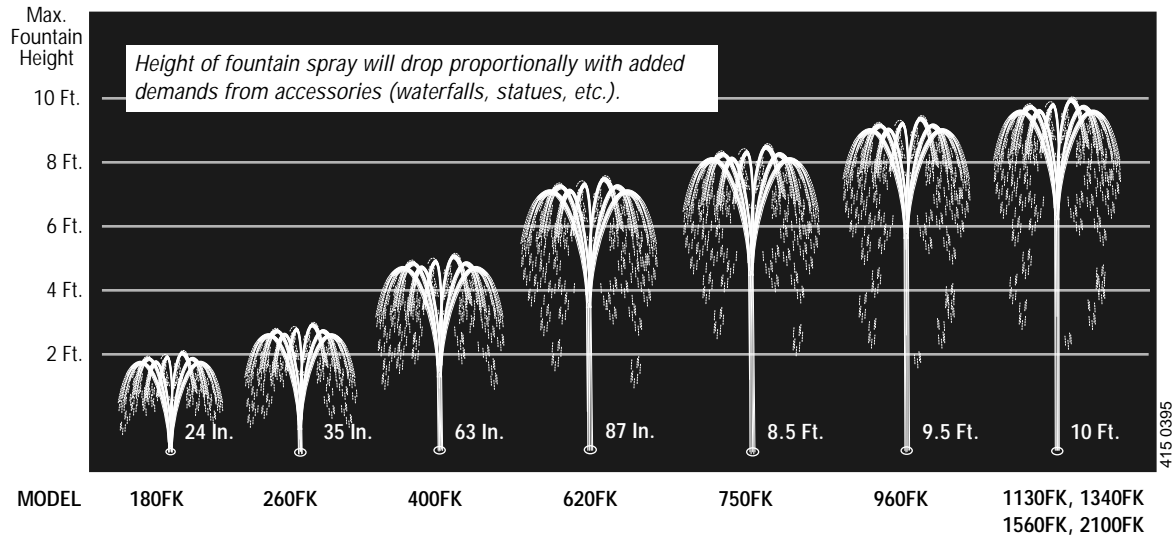


Figure 3

Performance Chart



3. Rinse pump body and impeller assembly thoroughly with clean water (not from pond).
4. Reassemble by reversing above steps, making sure "flat" on ceramic shaft passes through impeller first, then turn until flat properly seats in motor housing.

Models FPWG-180FK, -260FK, -400FK, -620FK

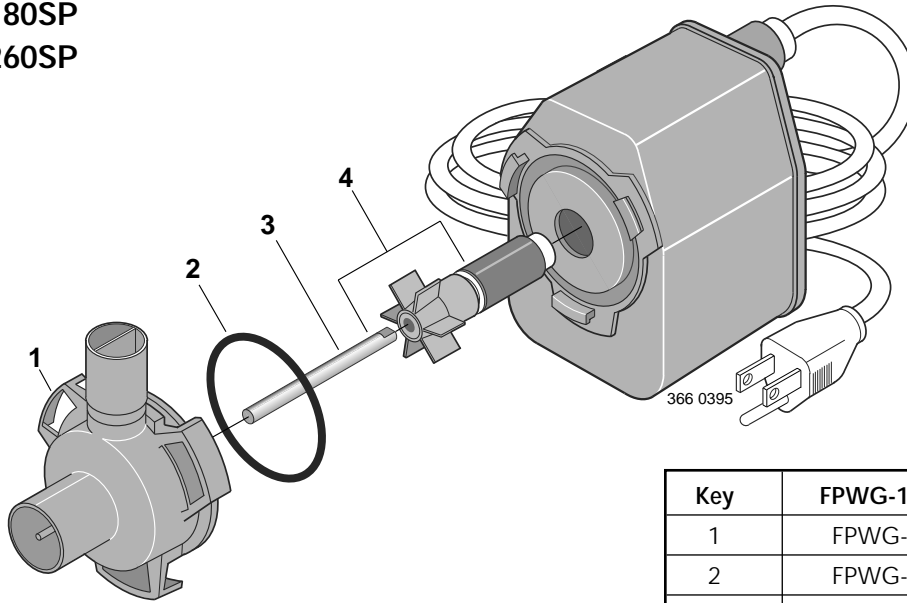
1. Hand grip inlet filter housing (Key 1, Page 5) and gently pull straight off while twisting clockwise.
2. Remove filter media (Key 2, Page 5) from housing and rinse thoroughly with clean water.
3. Remove pump body (Key 3) by hand turning counter-clockwise about 1/8 turn, and pull straight off.
4. For Models 180FK and 260FK: Hand grip impeller assembly (Key 6, Page 5) and pull straight out, being careful not to damage ceramic shaft.
For Models 400FK and 620FK: Pull motor cartridge and impeller assembly (Key 6, Page 5) out from electric motor.
5. Clean pump body and impeller assembly thoroughly with clean water (not from pond).
6. Reassemble by reversing above steps.
For Models 180FK and 260FK: make sure "flat" on ceramic shaft passes through impeller first, then turn until flat properly seats in motor housing.

Models FPWG-750FK thru FPWG-2100FK

1. Hand grip inlet filter housing (Key 1, Page 5) and gently pull straight off while twisting clockwise.
2. Remove pump filter media (Key 2, Page 6) from housing and rinse thoroughly with clean fresh water.
3. Remove four pan-head screws from pump body (Key 3, Page 6) And pull straight off. Rinse with fresh water.
4. Clean pump body and impeller thoroughly with clean water (not from pond).
5. Reassemble by reversing above steps.

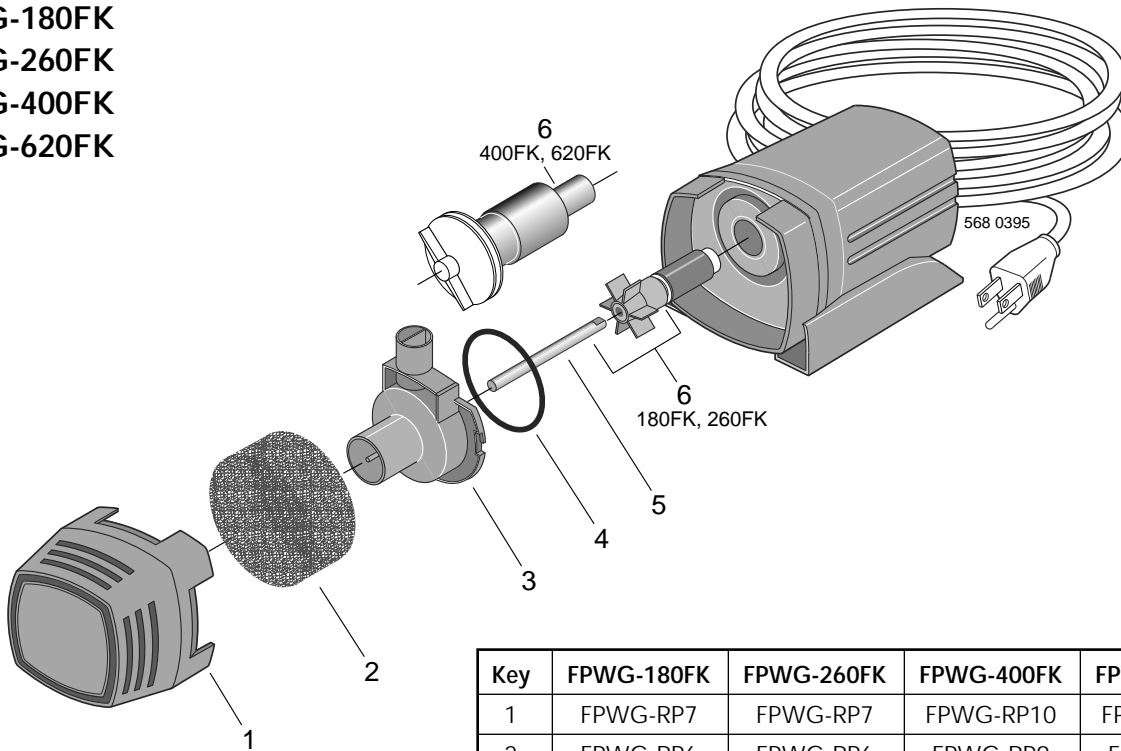
CAUTION Component damage may occur. Never tamper with internal components of the electric motor, or cable at the rear of pump.

FPWG-180SP
FPWG-260SP



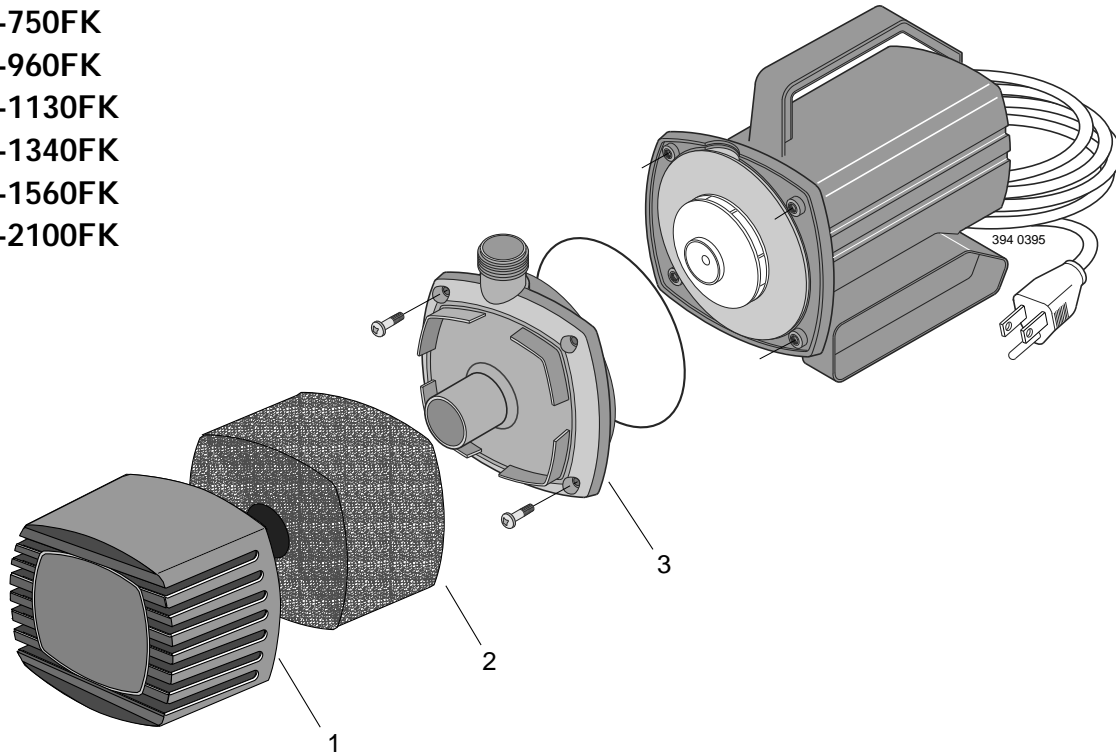
Key	FPWG-180SP	FPWG-260SP
1	FPWG-RP1	FPWG-RP1
2	FPWG-RP2	FPWG-RP2
3	FPWG-RP3	FPWG-RP3
4	FPWG-RP4	FPWG-RP5

FPWG-180FK
FPWG-260FK
FPWG-400FK
FPWG-620FK

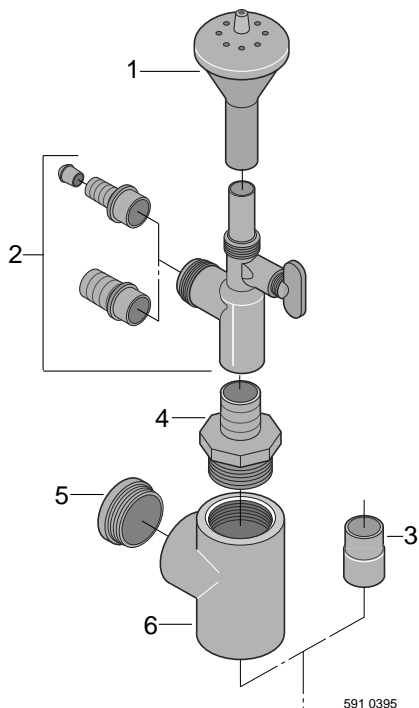


Key	FPWG-180FK	FPWG-260FK	FPWG-400FK	FPWG-620FK
1	FPWG-RP7	FPWG-RP7	FPWG-RP10	FPWG-RP10
2	FPWG-RP6	FPWG-RP6	FPWG-RP9	FPWG-RP9
3	FPWG-RP8	FPWG-RP8	FPWG-RP11	FPWG-RP11
4	FPWG-RP2	FPWG-RP2	FPWG-RP12	FPWG-RP12
5	FPWG-RP3	FPWG-RP3	-	-
6	FPWG-RP4	FPWG-RP5	FPWG-RP13	FPWG-RP14

FPWG-750FK
 FPWG-960FK
 FPWG-1130FK
 FPWG-1340FK
 FPWG-1560FK
 FPWG-2100FK



Key	FPWG-750FK	FPWG-960FK	FPWG-1130FK	FPWG-1340FK	FPWG-1560FK	FPWG-2100FK
1	FPWG-RP16	FPWG-RP16	FPWG-RP16	FPWG-RP21	FPWG-RP21	FPWG-RP21
2	FPWG-RP15	FPWG-RP15	FPWG-RP15	FPWG-RP15	FPWG-RP15	FPWG-RP15
3	FPWG-RP17	FPWG-RP17	FPWG-RP17	FPWG-RP22	FPWG-RP22	FPWG-RP22



Accessories

Key	FPWG-180FK FPWG-260FK FPWG-480FK FPWG-620FK	FPWG-750FK FPWG-960FK FPWG-1130FK	FPWG-1340FK FPWG-1560FK FPWG-2100FK
1	FPWG-A2	FPWG-A2	FPWG-A2
2	FPWG-A10	FPWG-A10	FPWG-A10
3	-	FPWG-A9	-
4	-	-	*
5	-	-	*
6	-	-	*

* Purchase locally.