



P.O. Box 342, Delavan, WI 53115

Phone: 1-800-365-6832

Fax: 1-800-526-3757

E-Mail: info@flotecwater.com

Web Site: <http://www.flotecwater.com>

OWNER'S MANUAL

**Pre-Charged Pressure Tanks**

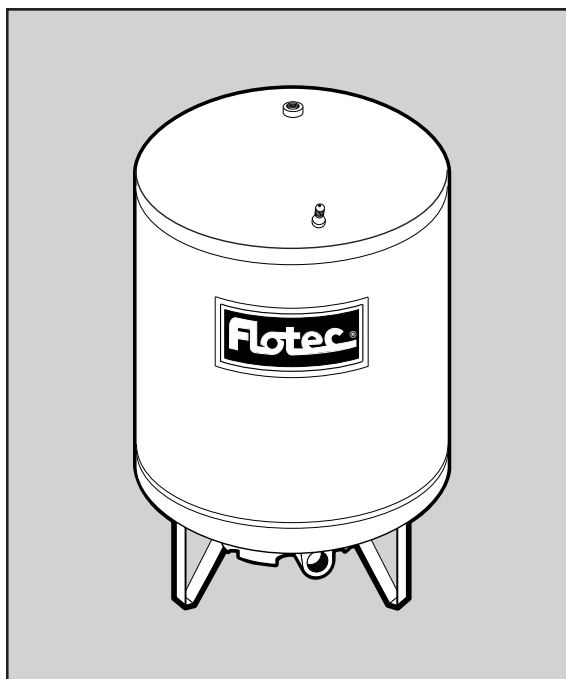
NOTICE D'UTILISATION

**Réservoirs sous pression préchargés**

MANUAL DEL USUARIO

**Tanques de presión precargada**

**Water  
is Our  
Business®**



## MODELS

**FP7100**

**FP7100H**

**FP7110**

**FP7110T**

**FP7110TH**

**FP7120**

**FP7125**

**FP7130**

**FP7135**

### Installation/Operation/Parts

*For further operating,  
installation, or maintenance  
assistance:*

**Call 1-800-365-6832**

### Installation/Fonctionnement/Pièces

*Pour plus de renseignements  
concernant l'utilisation,  
l'installation ou l'entretien,*

**Composer le 1 (800) 365-6832**

### Instalación/Operación/Piezas

*Para mayor información sobre  
el funcionamiento, instalación  
o mantenimiento de la bomba:*


**Llame al 1-800-365-6832**


**English..... Pages 2-8**


**Français ..... Pages 9-15**

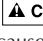
**Español.....Paginas 16-22**

## READ AND FOLLOW SAFETY INSTRUCTIONS!

 **This is the safety alert symbol.** When you see this symbol on your pump or in this manual, look for one of the following signal words and be alert to the potential for personal injury.

 **DANGER** warns about hazards that **will** cause serious personal injury, death or major property damage if ignored.

 **WARNING** warns about hazards that **can** cause serious personal injury, death or major property damage if ignored.

 **CAUTION** warns about hazards that **will** or **can** cause minor personal injury or property damage if ignored.


The label **NOTICE** indicates special instructions which are important but not related to hazards.


**Carefully read and follow all safety instructions in this manual and on pump.**

Keep safety labels in good condition.

Replace missing or damaged safety labels.

1. Read this manual carefully. Failure to follow these Instructions could cause serious bodily injury and/or property damage.
2. Consult installer or licensed plumber for correct relief valve. Install system according to local codes.
3. Always test water from well for purity before using. Check local health department for testing procedure.
4. Before installing or servicing tank, BE SURE pump electric power source is disconnected. Release all water pressure before working on tank or system. Release air pressure before removing cover flange.
5. Install relief valve in pump supply line to tank, as close to tank as possible.
6. BE SURE pump electrical circuit is properly grounded.
7. Remove bleeder orifices, air volume controls or other air charging devices in existing system.
8. DO NOT USE tank as a surge suppressor.

 **WARNING** **Hazardous pressure. To prevent possible serious or fatal injury and/or damage to equipment, system pressure must be less than 100 pounds per square inch (PSI) (689kPa) under any circumstances. Failure to follow instruction can result in tank blowup. If system discharge pressure can exceed 100 PSI (689kPa), install a relief valve capable of passing the full pump volume at 100 PSI (689kPa).**

 **WARNING** **Do not allow pump, tank, or piping system to freeze. Freezing can severely damage equipment and may lead to tank explosion and serious injury. Allowing tank to freeze voids tank warranty.**

### GENERAL INFORMATION

Tanks listed below are pre-charged, or filled with air at the factory, to 40 pounds per square inch (PSI) (276kPa). When installing tank, set tank pressure according to Chart 1. To do this, bleed air from or add air to tank through valve on top of tank.

**NOTICE:** Always set or check tank pre-charge with NO WATER in tank or water pressure in system. If you have already pumped water before setting or checking pre-charge pressure, turn pump off. Open faucet until there is no more water pressure. Set pre-charge in tank according to Chart 1, then close faucet and turn pump back on.

**NOTICE:** Replace and tighten air valve cap after pressure is adjusted correctly. Failure to replace air cap may allow loss of air pressure and lead to tank waterlogging and bladder failure.

**CHART 1**

When Pressure Switch Setting Is	Reduce Tank Precharge (PSI) To
20-40 PSI (138-276 kPa)	18 (124 kPa)
30-50 PSI (207-345 kPa)	28 (193 kPa)
40-60 PSI (276-414 kPa)	38 (262 kPa)

(The first number on the pressure switch is the pump on setting; the second number is the pump off setting.)

Pre-charged storage tanks can be connected together to increase the drawdown. Drawdown is the actual amount of usable water available from when the tank is full to when the pump turns on.

Installing two tanks of same size will double the drawdown supply, three tanks will triple the drawdown supply, (Figure 1). Locate pressure switch as shown. Tank and pressure switch cannot be more than 10' (3M) apart.

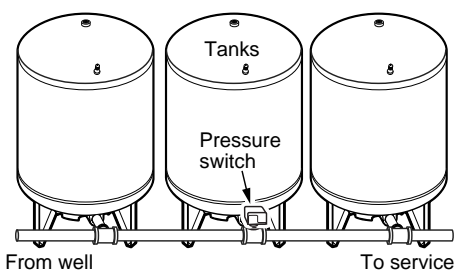


Figure 1

**NOTICE:** Tank capacity is different than drawdown. Tank capacity is the actual physical volume of the sheet metal that makes up the tank.

### OPERATING CYCLE (FIGURE 2)

- Step 1. Tank nearly empty – air expands filling area above bladder (Figure A).
- Step 2. Water enters tank – air is compressed above bladder as it fills with water (Figure B).
- Step 3. Pump-up cycle completed – air compressed to OFF setting of pressure switch (Figure C).
- Step 4. Water drawn from tank – compressed tank air forces water out of bladder (Figure D).
- Step 5. Bladder empty – new cycle ready to begin (Figure A).

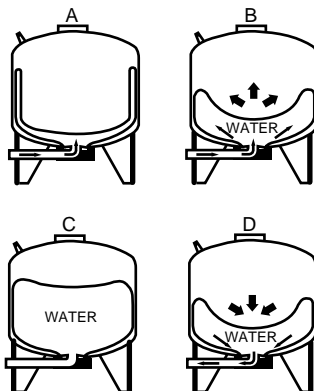


Figure 2

### INSTALLATION

Connect discharge pipe from pump to a tee. Connect one side of tee to tank flange and the other side of tee to service. Use plastic or steel pipe as required. To prevent leaks, use Teflon tape or Plasto-Joint Stik<sup>1</sup> on male threads of all threaded connections to tank.

**NOTICE:** To be sure pipe joints are not cross-threaded and all threads are clean, make connections by hand (without sealer) first. When threads are clean, remove pipe, add Teflon tape or Plasto-Joint Stik, and remake connection. Tighten by hand first; finish with pipe wrench.

When installing an elbow or nipple in the plastic tank flange, tighten it hand tight plus 1-1/2 turns with a pipe wrench. DO NOT OVERTIGHTEN!

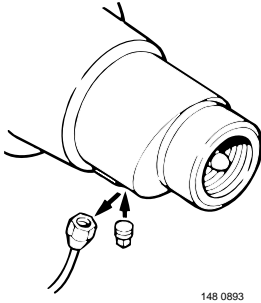
### Standard Tank Replacement

When replacing standard tank in a water system with pre-charged tank, no bleeder orifices or Air Volume Control (AVC) are required. When sizing a pre-charged tank to replace a standard tank, the tanks should have equivalent drawdowns. For example, model FP7110T precharged tank has a drawdown of 5.8 gallons (22L) and is equivalent to a 42 gallon standard tank that has a drawdown of 4.3 gallons (16.3L).

<sup>1</sup>Lake Chemical Co., Chicago, Illinois

**▲ WARNING** Hazardous voltage and hazardous pressure. Disconnect all power to pump and bleed all pressure from system before working on pump, tank, or piping.

For jet pump installation, remove AVC tube from port in pump body or jet body and plug port (see Figure 3). New pumps come with plug installed.



**Figure 3: Plug AVC Port when installing pre-charged tank on existing pumps. New pumps come with plug installed.**

**NOTICE:** When working on submersible pumps in wells be sure safety rope is solidly connected to pump and to secure anchor at the well head at all times. **Do not drop the pump down the well!**

### Bleeder Orifices (Figure 4)

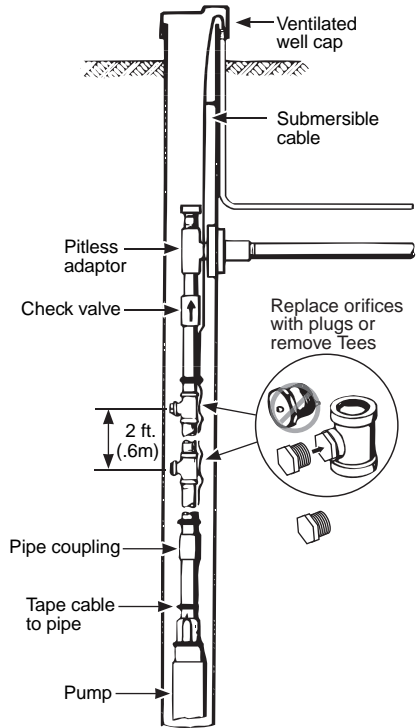
**NOTICE:** For submersible pump installations, there may be bleeder orifices in the vertical discharge pipe. They must be removed and the tees plugged when a pre-charged tank is installed in the system. To do this, raise the pump and discharge piping enough to bring the bleeder orifices clear of the well. Remove the bleeder orifices from tees and replace with plugs (see Figure 4). Bleeder orifices may be any of several sizes. Have a pair each of 1/2", 3/4", and 1" plugs available. Replace pump and reconnect the discharge pipe.

### Adjusting Tank Pre-charge

In areas where temperature is high for long periods of time, tank pre-charge pressure may increase. This may reduce tank drawdown (amount of water available per cycle). If this occurs, adjust pre-charge pressure according to Chart 1, page 3.

Flush all air out of piping system and water reservoir portion of pre-charged tank. Required on: new installations, pumps requiring repriming, and pumps disassembled for service. Do as follows:

- Step 1. Open faucets furthest from tank and run pump.
- Step 2. Run pump until sputtering stops and steady stream of water flows.



**Figure 4**

- Step 3. Open and close faucets repeatedly until all air has been removed.
- Step 4. If stream does not become steady, air may be leaking into system; check for leaks in piping on suction side of pump.

**NOTICE:** To prevent waterlogging, check tank air charge annually.

### TO CHECK TANK AIR CHARGE

If drawdown decreases significantly, check as follows:

- Step 1. To check air charge in tank, shut off electric power to pump, open faucet near tank, and drain completely.
- Step 2. At air valve, check tank air pressure with tire gauge. See Chart 1, page 3, for correct pressure setting. If needed, adjust tank pressure up or down.
- Step 3. Use soap or liquid detergent to check for air leaks around air valve. Continuous bubbling indicates leak. If necessary, release air pressure and install new core in air valve, (same as used for automobile tubeless tires.)

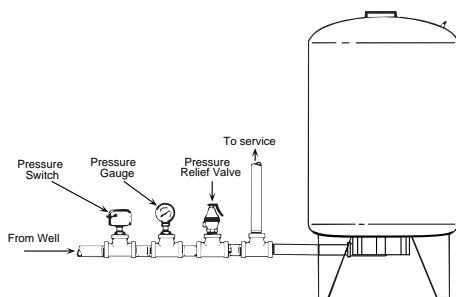
## TESTING FOR BLADDER LEAKAGE

- Step 1. **Disconnect power to pump.**
- Step 2. Drain water from tank bladder by opening faucet closest to tank.
- Step 3. Remove valve cap and release all pressure by depressing valve core. When air stops coming from valve, remove valve core to release remaining pressure.
- Step 4. Disconnect piping from elbow on tank cover flange.
- Step 5. Carefully turn tank upside down or lay on its side.

**⚠ WARNING** Retained water in tank may cause sudden weight shift when lowering. Support tank so it cannot fall when being lowered or inverted.

- Step 6. If bladder leaks, water will run out of valve. If so, replace bladder.
- Step 7. If replacing bladder, be sure air and water pressures are relieved before removing cover flange. When reassembling cover flange, do not tighten nuts or mounting studs more than 85 in-lbs. (9.6 Nm).

**NOTICE:** When using metal pipe with plastic fittings use only Teflon tape or Plasto-Joint Stik' on male threads.



160 0893

**Figure 5: Typical installation with vertical pre-charge tank and submersible well pumps**

**NOTICE:** Most standard tanks have separate inlet and outlet ports. Pre-charge tanks have one port serving both functions. When replacing standard tank with a pre-charge tank, run pipe from pump into a tee as shown. 2nd leg of tee goes to tank elbow; 3rd leg goes to existing service.

## Product Information – Pre-Charged Tanks

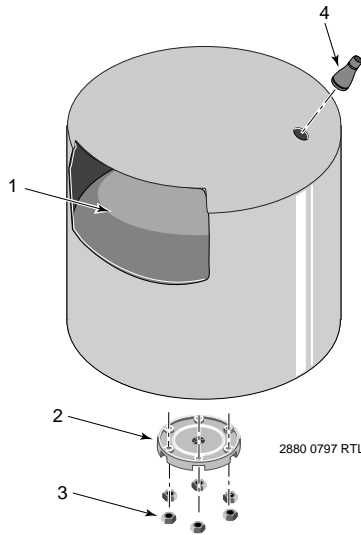
Catalog Number	Drawdown - Gals (L)		
	20-40 PSI (138-276kPa)	30-50 PSI (207-345kPa)	40-60 PSI (276-414kPa)
FP7100	2.2 (8.3)	1.8 (6.8)	1.6 (6.1)
FP7100H	2.2 (8.3)	1.8 (6.8)	1.6 (6.1)
FP7110T	6.9 (26.1)	5.8 (22)	5.0 (18.9)
FP7110TH	6.9 (26.1)	5.8 (22)	5.0 (18.9)
FP7110	6.9 (26.1)	5.8 (22)	5.0 (18.9)
FP7120	12.7 (48.1)	10.7 (40.5)	9.3 (35.2)
FP7125	18.3 (69.3)	15.5 (58.7)	13.4 (50.7)
FP7130	30.0 (113.6)	26.0 (98.4)	22.0 (83.3)
FP7135	41.3 (156.3)	35.4 (134.0)	31.0 (117.3)

Catalog Number	Maximum Capacity US Gals (L)	Equivalent to Standard Tank US Gals (L)	Tank Diameter (mm)	Tank Height (mm)	Tank Discharge Tapping
FP7100	6 (23)	15 (57)	12" (305)	*16-1/2" (419)	3/4"
FP7100H	6 (23)	15 (57)	12" (305)	*16-1/2" (419)	3/4"
FP7110T	19 (72)	42 (159)	16" (406)	30-1/8" (765)	1"
FP7110TH	19 (72)	42 (159)	16" (406)	*24-5/8" (625)	1"
FP7110	19 (72)	42 (159)	20" (508)	22-3/4" (578)	1"
FP7120	35 (132)	82 (310)	20" (508)	36-1/4" (921)	1"
FP7125	50 (189)	120 (454)	24" (610)	34-3/4" (883)	1-1/4"
FP7130	85 (322)	220 (833)	24" (610)	54" (1372)	1-1/4"
FP7135	119 (450)	320 (1211)	24" (610)	68" (1727)	1-1/4"

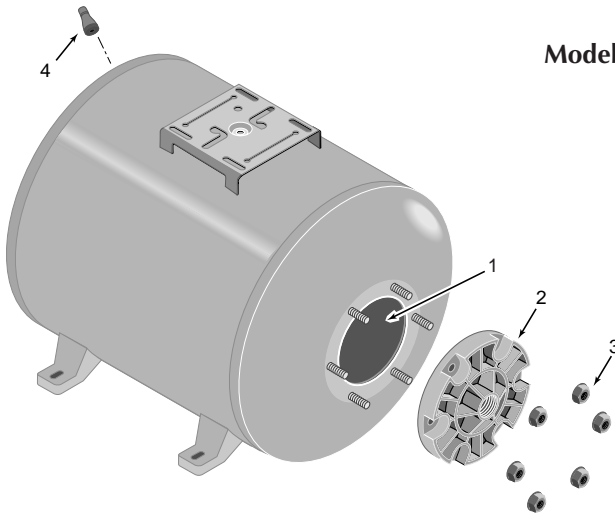
\* Length overall; this model is a horizontal tank.

**For parts or assistance, call Flotec Customer Service at 1-800-365-6832**

Model  
FP7100-08



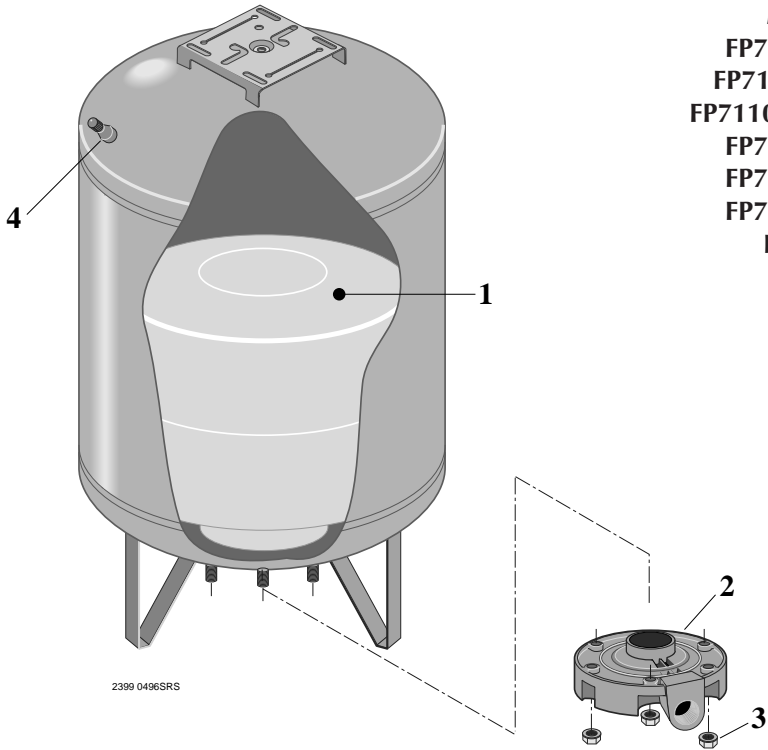
Model FP7100H-08



**REPAIR PARTS LIST**

Key No.	Part Description	No. Used	FP7100H-08	FP7100-08
1	Bladder - Vinyl	1	U20-7	U20-7
2	Cover Flange	1	U31-442P	U31-442P
3†	Flanged Nut - 5/16 - 18 Hex.	6	U36-202BT	U36-202BT
4	Air Valve with Cap	1	U212-160	U212-160

† Standard hardware items, may be purchased locally.



**Models**  
**FP7110-08**  
**FP7110T-08**  
**FP7110TH-08**  
**FP7120-08**  
**FP7125-08**  
**FP7130-08**  
**FP7135**

**REPAIR PARTS LIST**

Key No.	Part Description	No. Used	FP7110-08	FP7110T-08	FP7110TH-08
1	Bladder - Vinyl	1	U20-8	U20-13	U20-13
2	Cover Flange and Elbow	1	U31-446P	U31-446P	U31-446P
3	Flanged Nut - 5/16 - 18 Hex	6	U36-202BT	U36-202BT	U36-202BT
4	Air Valve with Cap	1	U212-160	U212-160	U212-160

Key No.	Part Description	No. Used	FP7120-08	FP7125-08	FP7130-08
1	Bladder - Vinyl	1	U20-9	U20-10	U20-14
2	Cover Flange	1	U31-446P	U31-447P	U31-447P
3	Flanged Nut - 5/16 - 18 Hex	6	U36-202BT	U36-202BT	U36-202BT
4	Air Valve with Cap	1	U212-160	U212-160	U212-160

Key No.	Part Description	No. Used	FP7135
1	Bladder - Vinyl	1	U20-20
2	Cover Flange	1	U231-462P
3	Flanged Nut - 5/16 - 18 Hex	6	U36-202BT
4	Air Valve with Cap	1	U212-160

**ATTACH ORIGINAL RECEIPT HERE FOR WARRANTY CONSIDERATION.**

FLOTEC warrants to the original consumer purchaser ("Purchaser") of its products that they are free from defects in material or workmanship.

If within twelve (12) months from the date of the original consumer purchase any such product shall prove to be defective, it shall be repaired or replaced at FLOTEC's option, subject to the terms and conditions set forth below. Your original receipt of purchase is required to determine warranty eligibility.

**Exceptions to the Twelve (12) Month Warranty**

<b>Product</b>	<b>Warranty Period</b>
Drill Pump, Pitcher Pump, In-line Water Filter Cartridge	90 days
1/3 HP Submersible Sump Pumps INTELLIPUMP (Model FP0S1775A) Back-up Sump Pump System (Model FP2800DCC)	2 Years
4" Submersible Well Pumps 1/2 HP Submersible Sump Pumps Models FPSC2200A-10 and FPSC2250A-10	3 Years
Pre-Charge Water System Tank Models FPSC3200A-10 and FPSC3250A-10	5 Years
Floodmate® 7000 (Model FP0S6000A) Ironmate® (Model FPSC4550A) Sewage Ejector (Model FPSE3601A) Pedestal Sump Pump (Model FPPSS5000) Utility Pump (Model FPSC1725X) Submersible Sump Pump (Model FPSC4550A-10)	Lifetime

**General Terms and Conditions**

Purchaser must pay all labor and shipping charges necessary to replace product covered by this warranty. This warranty shall not apply to acts of God, nor shall it apply to products which, in the sole judgement of FLOTEC, have been subject to negligence, abuse, accident, misapplication, tampering, alteration; nor due to improper installation, operation, maintenance or storage; nor to other than normal application, use or service, including but not limited to, operational failures caused by corrosion, rust or other foreign materials in the system, or operation at pressures in excess of recommended maximums.

Requests for service under this warranty shall be made by returning the defective product to the Retail outlet or to FLOTEC as soon as possible after the discovery of any alleged defect. FLOTEC will subsequently take corrective action as promptly as reasonably possible. No requests for service under this warranty will be accepted if received more than 30 days after the term of the warranty.

This warranty sets forth FLOTEC's sole obligation and purchaser's exclusive remedy for defective products.

FLOTEC SHALL NOT BE LIABLE FOR ANY CONSEQUENTIAL, INCIDENTAL, OR CONTINGENT DAMAGES WHATSOEVER.

THE FOREGOING WARRANTIES ARE EXCLUSIVE AND IN LIEU OF ALL OTHER EXPRESS WARRANTIES. IMPLIED WARRANTIES, INCLUDING BUT NOT LIMITED TO THE IMPLIED WARRANTIES OF MERCHANTABILITY AND FITNESS FOR A PARTICULAR PURPOSE, SHALL NOT EXTEND BEYOND THE DURATION OF THE APPLICABLE EXPRESS WARRANTIES PROVIDED HEREIN.

Some states do not allow the exclusion or limitation of incidental or consequential damages or limitations on how long an implied warranty lasts, so the above limitations or exclusions may not apply to you. This warranty gives you specific legal rights and you may also have other rights which vary from state to state.

**FLOTEC • P.O. Box 342 • Delavan, WI U.S.A. 53115**

**Phone: 1-800-365-6832 • Fax: 1-800-526-3757**

**E-Mail: info@flotecwater.com • Web Site: http://www.flotecwater.com**



## LIRE TOUTES CES INSTRUCTIONS ET LES SUIVRE!

**⚠ Ce symbole indique qu'il faut être prudent.** Lorsque ce symbole apparaît sur la pompe ou dans cette Notice, rechercher une des mises en garde qui suivent, car elles indiquent un potentiel possible de blessures corporelles :

**⚠ DANGER** avertit d'un danger **qui causera** des blessures corporelles, la mort ou des dommages matériels importants si on l'ignore.

**⚠ AVERTISSEMENT** avertit d'un danger **qui risque** de causer des blessures corporelles, la mort ou des dommages matériels importants si on l'ignore.

**⚠ ATTENTION** avertit d'un danger **qui causera** ou **qui risquera** de causer des blessures corporelles, la mort ou des dommages matériels importants si on l'ignore.

Le mot **NOTA** indique des instructions spéciales et importantes n'ayant aucun rapport avec les dangers.

**Lire attentivement toutes les consignes de sécurité contenues dans cette Notice ou collées sur la pompe.**

Garder les autocollants de sécurité en bon état; les remplacer s'ils manquent ou s'ils ont été endommagés.

1. Lire ce manuel avec soin. Le non-respect des instructions peut entraîner des blessures corporelles graves et/ou des dommages matériels.
2. Consulter l'installateur ou un plombier agréé pour sélectionner le clapet de surpression qui convient. Procéder à l'installation en suivant les réglementations des codes locaux.

3. Toujours tester la pureté de l'eau du puits avant son utilisation. Se renseigner auprès du service d'hygiène local pour les procédures de contrôle à suivre.
4. Avant d'installer et d'intervenir sur le réservoir, S'ASSURER que la source d'alimentation de la pompe est bien débranchée. Libérer toute la pression d'eau avant d'intervenir sur le réservoir ou sur le système. Libérer toute la pression d'air avant de déposer la couronne du couvercle.
5. Poser le clapet de surpression dans la canalisation de la pompe qui mène au réservoir, en installant le clapet aussi près du réservoir que possible.
6. S'ASSURER que le circuit électrique de la pompe est correctement mis à la terre.
7. Supprimer les prises d'air, les contrôleurs de volume d'air, et tous les dispositifs de gonflage existant dans le système.
8. NE PAS utiliser les réservoirs en tant que suppresseur de pompage.

**⚠ AVERTISSEMENT** Pression dangereuse. Pour éviter les blessures graves ou mortelles possibles, et/ou l'endommagement du matériel, il faut maintenir la pression du système à moins de 689 kilopascals (kPa) (100 PSI) en toutes circonstances. Le non-respect de cet avertissement peut entraîner l'explosion du réservoir. Si la pression de refoulement du système peut dépasser 689 kPa (100 PSI), installer un clapet de surpression capable d'assurer le plein débit de la pompe à 689 kPa (100 PSI).

**⚠ AVERTISSEMENT** Ne pas soumettre au gel la pompe, le réservoir de la pompe, ou la canalisation. Le gel peut endommager gravement l'équipement, et risque d'entraîner l'explosion du réservoir et de provoquer des blessures graves. L'exposition du réservoir au gel annule les termes de sa garantie.

## RENSEIGNEMENTS GÉNÉRAUX

Les réservoirs dont il est fait mention ci-dessous sont des réservoirs préchargés ou ayant été remplis d'air à l'usine à 40 livres par pouce carré (lb/po<sup>2</sup>) (276 kPa). Installer le réservoir sous pression conformément au Tableau 1. Pour cela, purger de l'air du réservoir ou en ajouter par la valve qui se trouve en haut du réservoir.

**NOTA** : Toujours régler ou vérifier un réservoir préchargé lorsqu'il ne contient PAS D'EAU ou lorsque le système d'eau n'est pas sous pression. Si de l'eau a déjà été pompée avant de régler ou de vérifier la pression de précharge, arrêter la pompe. Ouvrir un robinet jusqu'à ce qu'il n'y ait plus de pression dans le système d'eau. Régler la précharge du réservoir conformément au Tableau 1, puis fermer le robinet et redémarrer la pompe.

**NOTA** : Après avoir corrigé la pression, reposer et serrer le bouchon de la valve d'air. Ne pas reposer le bouchon de la valve peut causer une perte de pression d'air et mener à une saturation du réservoir et à une panne du diaphragme.

TABLEAU 1

Lorsque le réglage du manostat se situe	Réduire la précharge du réservoir à (lb-po <sup>2</sup> )
20-40 PSI (138-276 kPa)	18 (124 kPa)
30-50 PSI (207-345 kPa)	28 (193 kPa)
40-60 PSI (276-414 kPa)	38 (262 kPa)

(Le premier chiffre de réglage du manostat indique la pression de démarrage de la pompe; le deuxième chiffre indique la pression d'arrêt de la pompe.)

Plusieurs réservoirs sous pression préchargés peuvent être branchés ensemble pour augmenter la quantité d'eau pouvant être soutirée. La quantité d'eau pouvant être soutirée est la quantité réelle d'eau disponible à partir du moment où le réservoir est plein jusqu'au moment où la pompe se met en marche. Deux réservoirs de même contenance doubleront la quantité d'eau pouvant être soutirée, trois réservoirs tripleront la quantité d'eau pouvant être soutirée, et ainsi de suite (voir la Figure 1).

Positionner le manostat comme il est illustré. Le réservoir et le manostat ne peuvent pas être installés à plus de 10 pieds (3 mètres) l'un de l'autre.

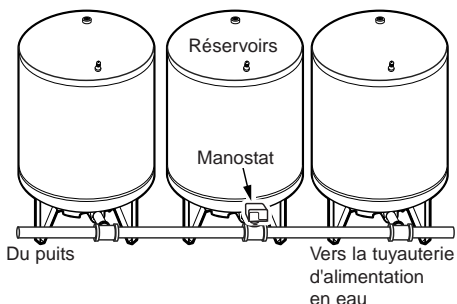


Figure 1

**NOTA** : La capacité du réservoir n'est pas la quantité d'eau pouvant être soutirée.

La capacité du réservoir est le volume physique réel de la tôle qui compose le réservoir.

## CYCLES DE FONCTIONNEMENT (FIGURE 2)

- 1° Le réservoir est presque vide – l'air remplit la partie qui se trouve au-dessus du diaphragme (Figure A).
- 2° L'eau commence à remplir le réservoir – au fur et à mesure que le réservoir se remplit d'eau, l'air est comprimé au-dessus du diaphragme (Figure B).
- 3° Le cycle de pompage est terminé – l'air est comprimé jusqu'au réglage ARRÊT du manostat (Figure C).
- 4° L'eau est soutirée du réservoir – l'air comprimé chasse l'eau du diaphragme (Figure D).
- 5° Le diaphragme est complètement vide – un nouveau cycle recommence (Figure A).

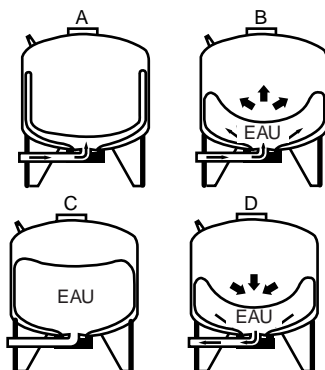


Figure 2

## INSTALLATION

Brancher le tuyau de refoulement de la pompe sur un té. Brancher un côté du té sur la bride du réservoir et l'autre côté du té sur le service. Utiliser un tuyau en plastique ou en acier, selon le besoin.

Pour empêcher toute fuite, utiliser du ruban téflon ou du Plasto-Joint Stik<sup>1</sup> sur les filets mâles de tous les raccords filetés à effectuer sur le réservoir.

**NOTA** : Pour s'assurer de ne pas endommager les filets des raccords et que tous les filets sont propres, visser tout d'abord les raccords à la main (sans produit d'étanchéité). Lorsque les filets seront propres, débrancher les tuyaux, ajouter du ruban téflon ou du Plasto-Joint Stik, puis rebrancher les tuyaux. Les serrer tout d'abord à la main, puis terminer le serrage avec une clé à tuyau.

Pour installer un coudé ou un mamelon dans le bride en plastique du réservoir, le serrer tout d'abord à la main, puis le serrer 1-1/2 tour avec une clé à tuyau. **NÉ PAS TROP SERRER!**

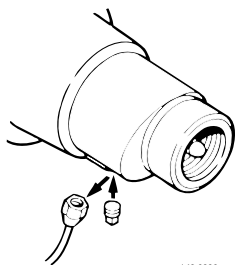
## Remplacement d'un réservoir standard

Lorsque l'on remplace le réservoir standard d'un système d'eau par un réservoir préchargé, aucun orifice de purge et aucun régulateur de volume d'air n'est requis. Lorsque l'on détermine la taille d'un réservoir préchargé pour remplacer un réservoir standard, la quantité de soutirage d'eau des deux réservoirs doit être la même. Par exemple, la quantité de soutirage d'eau du réservoir préchargé modèle FP7110T est de 5,8 gallons (22 litres), ce qui correspond à un réservoir standard de 42 gallons ayant une capacité de soutirage d'eau de 4,3 gallons (16,3 litres).

<sup>1</sup>Lake Chemical Co., Chicago, Illinois

**AVERTISSEMENT** Tension et pression dangereuses. Avant d'intervenir sur la pompe, le réservoir et la tuyauterie, couper le courant parvenant à la pompe et purger toute la pression du système.

Dans le cas d'une installation à pompe à éjecteur, débrancher le tube du régulateur de volume d'air de l'orifice du corps de la pompe ou du corps de l'éjecteur, puis boucher l'orifice (voir la Figure 3). Le bouchon est déjà posé sur les pompes neuves.



**Figure 3 : Boucher l'orifice du régulateur de volume d'air lorsque l'on installe un réservoir préchargé sur une pompe existante. Le bouchon est installé sur les pompes neuves.**

**NOTA :** Lorsque l'on intervient sur la pompe submersible d'un puits, toujours s'assurer que l'élingue est solidement accrochée sur la pompe et ancrée en toute sécurité sur la tête du puits. **Ne pas laisser tomber la pompe dans le puits!**

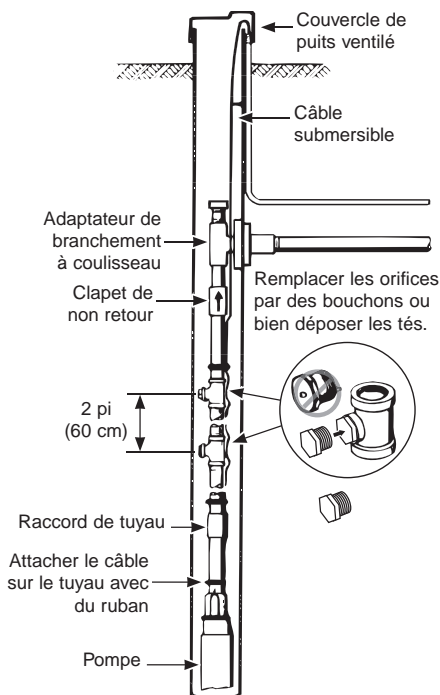
## Prises d'air (Figure 4)

**NOTA :** Dans le cas des installations à pompe submersible, il se peut que le tuyau de refoulement vertical comporte un ou plusieurs orifices de purge. Ils devront donc être déposés et les tés devront être bouchés si un réservoir sous pression est installé dans le système. Pour cela, relever la pompe et le tuyau de refoulement suffisamment hauts de façon à amener les orifices de purge au-dessus du puits. Déposer les orifices de purge des tés et les remplacer par des bouchons (voir la Figure 4). Les orifices de purge peuvent être de différents diamètres. Il faut donc, pour cette raison, toujours avoir une paire de bouchons de 1/2 pouce, 3/4 de pouce et 1 pouce disponibles. Reposer la pompe et rebrancher le tuyau de refoulement.

## Réglage de la précharge du réservoir

Dans les régions où la température reste élevée longtemps, la pression des réservoirs préchargés peut augmenter. Dans ce cas, le soutirage du réservoir (la quantité d'eau disponible par cycle) risque de diminuer. Si cela devait se produire, régler la pression de précharge conformément au Tableau 1 de la page 10. Chasser tout l'air des tuyauteries du système et de la partie réservoir d'eau du réservoir préchargé. Ceci est obligatoire dans le cas : d'installations neuves, de pompes devant être réamorçées et si la pompe a été démontée pour être réparée. Pour procéder à cette opération :

- 1° Ouvrir les robinets qui se trouvent les plus loin du réservoir et démarrer la pompe.
- 2° Faire fonctionner la pompe jusqu'à ce que les jaillissements cessent et qu'un jet d'eau continu coule (sans air).



**Figure 4**

- 3° Ouvrir et fermer de façon répétitive les robinets jusqu'à ce que tout l'air ait été chassé.
- 4° Si le jet d'eau ne coule pas d'une manière régulière, de l'air est peut-être aspiré dans le système; s'assurer s'il n'y a pas de prise d'air dans la tuyauterie du côté aspiration de la pompe.

**NOTA :** Pour empêcher le saturage d'eau, vérifier la charge d'air du réservoir une fois par année.

## POUR VÉRIFIER LA CHARGE D'AIR DANS LE RÉSERVOIR

Si le soutirage de l'eau diminue considérablement, vérifier ce qui suit :

- 1° Pour vérifier la charge d'air dans le réservoir, couper le courant parvenant à la pompe, ouvrir un robinet se trouvant près du réservoir et vider complètement le réservoir.
- 2° Vérifier la pression d'air dans le réservoir en branchant un manomètre pour pneu sur la valve d'air. Voir le Tableau 1 de la page 10 pour connaître les réglages de pression. Au besoin, régler la pression du réservoir plus haute ou plus basse.
- 3° Utiliser du savon ou du liquide détergent pour vérifier s'il y a fuite d'air autour de la valve. Des bulles indiquent une fuite. Au besoin, dissiper la pression d'air et poser un obus de valve neuf (cet obus est le même que celui utilisé sur les pneus sans chambre à air des automobiles).

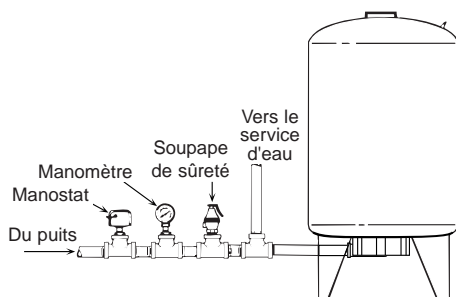
## CONTRÔLE DE FUITE DU DIAPHRAGME

- 1° Couper le courant parvenant à la pompe.
- 2° Vider toute l'eau contenue dans le diaphragme du réservoir en ouvrant le robinet se trouvant le plus près du réservoir.
- 3° Déposer le bouchon de la valve et dissiper toute la pression en appuyant sur l'obus de la valve. Lorsque l'air cesse de sortir par la valve, déposer l'obus pour dissiper ce qui reste de pression.
- 4° Débrancher le tuyau du coude de la bride du couvercle du réservoir.
- 5° Prudemment, retourner le réservoir à l'envers ou le coucher sur son côté.

**AVERTISSEMENT** Toute eau restant dans le réservoir peut causer un déplacement soudain du poids lorsque l'on baisse le réservoir. Supporter le réservoir de façon qu'il ne tombe pas lorsqu'on le baissera ou lorsqu'on le retournera.

- 6° Si le diaphragme fuit, l'eau s'échappera vers la valve. Dans ce cas, remplacer le diaphragme.
- 7° Si l'on remplace le diaphragme, s'assurer de dissiper la pression de l'air et la pression de l'eau avant de déposer la bride du couvercle. Lorsque l'on remonte la bride du couvercle, ne pas serrer les écrous ni les tiges filetées de fixation à un couple supérieur à 85 lb-po (9,6 N.m).

**NOTA** : Lorsque l'on utilise un tuyau métallique avec des raccords en plastique, n'utiliser que du ruban téflon ou du Plasto-Joint Stik<sup>1</sup> sur les filets mâles.



160 0893

**Figure 5** : Installation typique sur un réservoir préchargé vertical et sur une pompe de puits submersible

**NOTA** : La plupart des réservoirs standard comportent des orifices d'arrivée et de sortie séparés. Les réservoirs préchargés comportent un orifice qui sert à ces deux fonctions. Lorsque l'on remplace un réservoir standard par un réservoir préchargé, brancher le tuyau provenant de la pompe dans un té, comme il est illustré. La 2e branche du té servira à brancher un tuyau sur le coude du réservoir et la 3e branche du té servira à brancher la tuyauterie du service d'eau.

## Renseignements sur le produit – Réservoirs préchargés

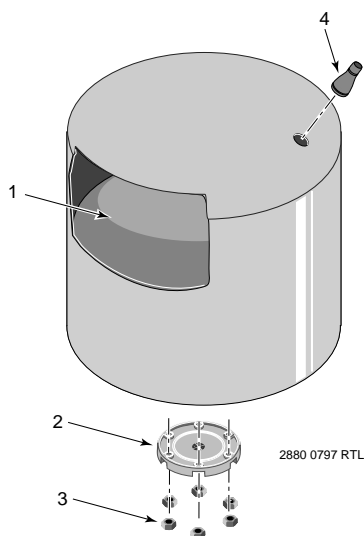
Numéro de catalogue	Qté d'eau soutirée - gal. (L)		
	20 et 40 lb/po <sup>2</sup> (138 et 276kPa)	30 et 50 lb/po <sup>2</sup> (207 et 45kPa)	40 et 60 lb/po <sup>2</sup> (276 et 414kPa)
FP7100	2,2 (8,3)	1,8 (6,8)	1,6 (6,1)
FP7100H	2,2 (8,3)	1,8 (6,8)	1,6 (6,1)
FP7110T	6,9 (26,1)	5,8 (22)	5,0 (18,9)
FP7110TH	6,9 (26,1)	5,8 (22)	5,0 (18,9)
FP7110	6,9 (26,1)	5,8 (22)	5,0 (18,9)
FP7120	12,7 (48,1)	10,7 (40,5)	9,3 (35,2)
FP7125	18,3 (69,3)	15,5 (58,7)	13,4 (50,7)
FP7130	30,0 (113,6)	26,0 (98,4)	22,0 (83,3)
FP7135	41,3 (156,3)	35,4 (134,0)	31,0 (117,3)

Numéro de catalogue	Capacité maximum en gal. US (L)	Équivalence avec un réservoir standard gal. US (L)	Diamètre du réservoir (mm)	Hauteur du réservoir (mm)	Tarudage du refoulement du réservoir
FP7100	6 (23)	15 (57)	12 po (305)	*16-1/2 po (419)	3/4 po
FP7100H	6 (23)	15 (57)	12 po (305)	*16-1/2 po (419)	3/4 po
FP7110T	19 (72)	42 (159)	16 po (406)	30-1/8 po (765)	1 po
FP7110TH	19 (72)	42 (159)	16 po (406)	*24-5/8 po (625)	1 po
FP7110	19 (72)	42 (159)	20 po (508)	22-3/4 po (578)	1 po
FP7120	35 (132)	82 (310)	20 po (508)	36-1/4 po (921)	1 po
FP7125	50 (189)	120 (454)	24 po (610)	34-3/4 po (883)	1-1/4 po
FP7130	85 (322)	220 (833)	24 po (610)	54 po (1 372)	1-1/4 po
FP7135	119 (450)	320 (1 211)	24 po (610)	68 po (1 727)	1-1/4 po

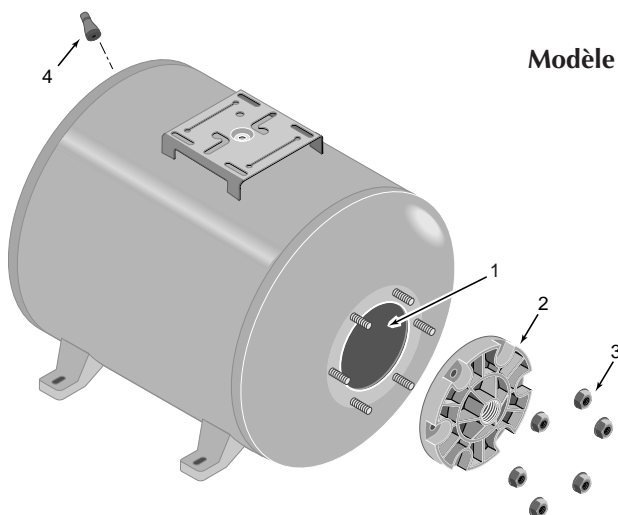
\* Longueur hors tout; ce modèle est un réservoir horizontal.

Pour les services des pièces ou d'assistance, appeler le service à la clientèle Flotec en composant le 1 (800) 365-6832

Modèle  
FP7100-08



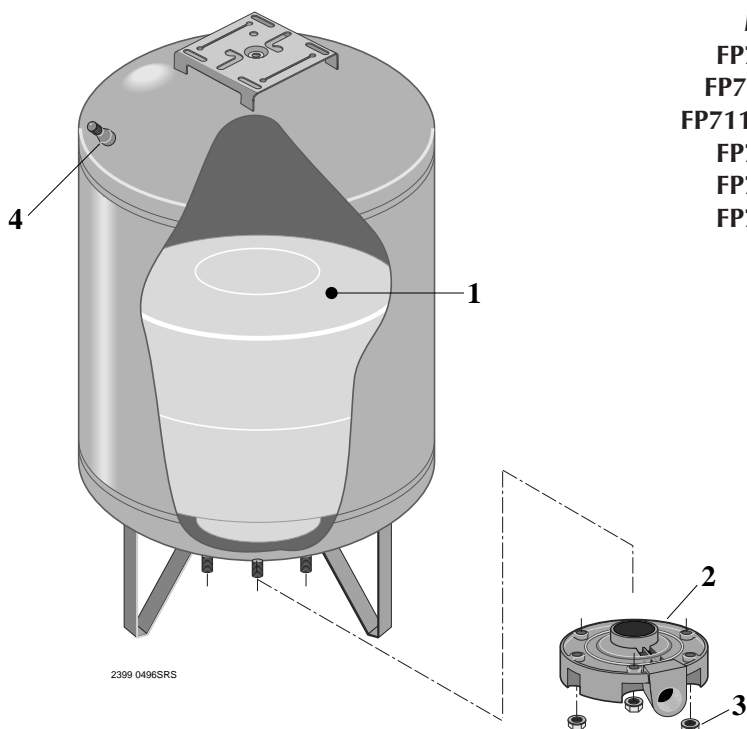
Modèle FP7100H-08



### PIÈCES DE RECHANGE

Réf.	Désignation des pièces	Nbre utilisé	FP7100H-08	FP7100-08
1	Diaphragme en vinyle	1	U20-7	U20-7
2	Bride du couvercle	1	U31-442P	U31-442P
3†	Écrou à bride - 5/16 - 18	6	U36-202BT	U36-202BT
4	Valve avec chapeau	1	U212-160	U212-160

† Articles standard à acheter localement.



Modèles  
 FP7110-08  
 FP7110T-08  
 FP7110TH-08  
 FP7120-08  
 FP7125-08  
 FP7130-08  
 FP7135

## PIÈCES DE RECHANGE

Réf.	Désignation des pièces	Nbre utilisé	FP7110-08	FP7110T-08	FP7110TH-08
1	Diaphragme en vinyle	1	U20-8	U20-13	U20-13
2	Bride du couvercle et coude	1	U31-446P	U31-446P	U31-446P
3	Écrou à bride - 5/16 - 18	6	U36-202BT	U36-202BT	U36-202BT
4	Valve avec chapeau	1	U212-160	U212-160	U212-160

Réf.	Désignation des pièces	Nbre utilisé	FP7120-08	FP7125-08	FP7130-08
1	Diaphragme en vinyle	1	U20-9	U20-10	U20-14
2	Cover flange	1	U31-446P	U31-447P	U31-447P
3	Écrou à bride - 5/16 - 18	6	U36-202BT	U36-202BT	U36-202BT
4	Valve avec chapeau	1	U212-160	U212-160	U212-160

Réf.	Désignation des pièces	Nbre utilisé	FP7135
1	Diaphragme en vinyle	1	U20-20
2	Cover flange	1	U231-462P
3	Écrou à bride - 5/16 - 18	6	U36-202BT
4	Valve avec chapeau	1	U212-160

**ATTACHER LE REÇU D'ORIGINE ICI À DES FINS DE GARANTIE**

FLOTEC garantit à l'acheteur-utilisateur initial de ses produits ("Acheteur") contre tout défaut de fabrication et de matériaux.

Tout produit reconnu défectueux dans les douze (12) mois qui suivent la date d'achat d'origine sera remplacé ou réparé à la discrétion de FLOTEC, selon les conditions stipulées ci-dessous. La preuve d'achat est exigée pour déterminer l'admissibilité à la garantie.

**Exceptions à la garantie de douze (12) mois**

<b>Produits</b>	<b>Période de garantie</b>
Pompe adaptable sur perceuse, pompe d'amorçage, cartouche de filtre à eau en ligne	90 jours
Pompes submersibles de puisard INTELLIPUMP de 1/3 ch (Modèle FP0S1775A) Système de pompage de secours de puisard de soutien (Modèle FP2800DCC)	2 ans
Pompes submersibles pour puits de 4 pouces Pompes submersibles de puisard de 1/2 ch Modèles FPSC2200A-10 et FPSC2250A-10	3 ans
Réservoirs préchargés de système d'eau Modèles FPSC3200A-10 et FPSC3250A-10	5 ans
Floomate® 7000 (Modèle FP0S6000A) Ironmate® (Modèle FPSC4550A) Éjecteur d'eaux d'égout (Modèle FPSE3601A) Pompe sur colonne de puisard (Modèle FPPSS5000) Pompe à usage général (Modèle FPSC1725X) Pompe submersible de puisard (Modèle FPSC4550A-10)	À vie

**Conditions générales**

L'Acheteur s'engage à payer tous les frais de main-d'œuvre et d'expédition nécessaires au remplacement du produit couvert par la garantie. Cette garantie ne couvrira pas les cas de force majeure, et ne s'appliquera pas aux produits qui, du seul avis de FLOTEC, ont fait l'objet de négligence, d'utilisation abusive ou incorrecte, d'accident, de modification ou d'altération ; ni aux produits qui n'ont pas été installés, utilisés, entretenus ou entretenus correctement ; ni à ceux qui n'ont pas été utilisés ou entretenus normalement, y compris, mais sans s'y limiter, aux produits ayant des pannes de fonctionnement causées par la corrosion, la rouille ou autre corps étranger dans le système, ou à des produits ayant fonctionné à des pressions dépassant la limite maximale recommandée.

Les demandes de service en vertu de la présente garantie seront faites en retournant le produit défectueux au détaillant ou à FLOTEC dès la découverte de tout défaut allégué. FLOTEC prendra alors les mesures correctives aussi rapidement qu'il est raisonnablement possible. Aucune demande de service en vertu de la présente garantie ne sera acceptée si elle est reçue plus de 30 jours après l'expiration de la dite garantie.

La présente garantie énonce la totalité des obligations de FLOTEC et le seul recours possible de l'Acheteur dans le cas de produits défectueux.

**FLOTEC NE SERA TENU RESPONSABLE D'AUCUN DOMMAGE INDIRECT, ACCIDENTEL OU FORTUIT QUEL QU'IL SOIT.**

**LES PRÉSENTES GARANTIES SONT EXCLUSIVES ET TIENNENT LIEU DE TOUTE AUTRE GARANTIE EXPRESSE. LES GARANTIES IMPLICITES, Y COMPRIS, MAIS SANS S'Y LIMITER, LES GARANTIES IMPLICITES AYANT TRAIT À LA COMMERCIALITÉ ET À L'ADAPTATION À UN USAGE PARTICULIER, NE DÉPASSERONT PAS LA DURÉE DES GARANTIES EXPRESSES APPLICABLES STIPULÉES DANS LES PRÉSENTES.**

Certaines provinces n'autorisent pas d'exclure ou de limiter les dommages fortuits ou indirects ou de limiter la durée d'une garantie implicite ; il se peut donc que les limitations ou exclusions ci-dessus ne s'appliquent pas à votre cas. La présente garantie vous donne des droits juridiques spécifiques et vous pouvez en avoir d'autres qui varient d'une province à l'autre.

**FLOTEC • P.O. Box 342 • Delavan, WI U.S.A. 53115**

**Téléphone: 1-800-365-6832 • Télécopieur: 1-800-526-3757**

**Courrier électronique: [info@flotecwater.com](mailto:info@flotecwater.com) • Site Web: <http://www.flotecwater.com>**

## LEA Y SIGA LAS INSTRUCCIONES DE SEGURIDAD!

**⚠ Este es el símbolo de alerta de seguridad.** Cuando usted vea este símbolo en su bomba o en este manual, busque alguna de las siguientes palabras de advertencia y esté alerta a la posibilidad de una herida personal:

**⚠ PELIGRO** advierte acerca de los peligros que **ocasionarán** lesiones personales serias, la muerte o un daño severo a la propiedad si se ignoran dichos peligros.

**⚠ ADVERTENCIA** advierte acerca de los peligros que **pueden** ocasionar lesiones personales serias, la muerte o un daño severo a la propiedad si se ignoran dichos peligros.

**⚠ PRECAUCIÓN** advierte acerca de los peligros que **ocasionarán** o **podrán** ocasionar lesiones personales menores o daños a la propiedad si se ignoran dichos peligros.

La etiqueta **AVISO** indica instrucciones especiales que son importantes pero no relacionados a los peligros.

**Lea y siga cuidadosamente todas las instrucciones de seguridad en este manual y en la bomba.**

Mantenga las etiquetas de seguridad en buenas condiciones.

Reemplace las etiquetas de seguridad faltantes o dañadas.

1. Lea cuidadosamente este manual. La omisión en el respeto de estas instrucciones puede causar graves daños personales, daños a la propiedad o ambas cosas.
2. Consulte al instalador o al fontanero licenciado acerca de la válvula de alivio correcta. Instale el sistema de conformidad con los códigos locales.

3. Siempre verifique la pureza del agua del pozo antes de utilizarla. Consulte con el departamento de salud local sobre los procedimientos de prueba.
4. Antes de instalar o prestar servicios al tanque **ASEGÚRESE DE QUE** la corriente eléctrica a la bomba haya sido desconectada. Reduzca toda la presión de agua antes de trabajar en el tanque o en el sistema. Reduzca la presión de aire antes de retirar la brida de cubierta.
5. Instale una válvula de alivio en la línea de alimentación de la bomba al tanque, tan cerca del tanque como sea posible.
6. **ASEGÚRESE DE QUE** el circuito eléctrico de la bomba esté puesto adecuadamente a tierra.
7. Retire los accesorios con orificios de purga, los controles automáticos del volumen de aire y otros dispositivos de carga de aire del sistema existente.
8. **NO USE** el tanques como supresor de picos de presión.

**⚠ ADVERTENCIA** **Presión peligrosa. Para impedir posibles heridas graves o fatales y/o daños al equipo, la presión del sistema debe ser inferior a 100 lib./pulg.<sup>2</sup> (689 kPa) en todo momento. La omisión en el respeto de estas instrucciones puede producir el reventón del tanque. Si la presión de descarga del sistema puede superar las 100 lib./pulg.<sup>2</sup> (689 kPa) instale una válvula capaz de admitir el caudal pleno de la bomba a 100 lib./pulg.<sup>2</sup> (689 kPa).**

**⚠ ADVERTENCIA** **No permita que la bomba, el tanque o el sistema de tuberías se congelen. El congelamiento puede producir graves daños al equipo, provocar la explosión del tanque y causar lesiones graves. La garantía queda nula si se permite que el tanque se congele.**



## INFORMACIÓN GENERAL

Los tanques que se enumeran a continuación vienen precargados, o llenos de aire de la fábrica, hasta 40 libras por pulgada cuadrada (psi) (276 kPa). Cuando instale el tanque, gradúe la presión del tanque según la Tabla 1. Para realizar esto, deje salir todo el aire o agregue aire al tanque a través de la válvula en la parte superior del tanque.

**AVISO:** Siempre gradúe o inspeccione la precarga del tanque SIN AGUA en el tanque o presión de agua en el sistema. Si ya ha bombeado agua antes de graduar o chequear la presión precargada, apague la bomba. Abra el grifo hasta que no haya más presión de agua. Gradúe la precarga en el tanque según la Tabla 1 y luego cierre el grifo y encienda la bomba nuevamente.

**AVISO:** Vuelva a colocar y apriete la tapa de la válvula de aire después de haber graduado la presión correctamente. Si no vuelve a colocar la tapa de aire, esto puede resultar en una pérdida de presión del aire, inundando el tanque y ocasionando fallas en la cisterna.

TABLA 1

Quando el conmutador tanque (psi) a:	Reducir la precarga del a presión está graduado a:
20-40 PSI (138-276 kPa)	18 (124 kPa)
30-50 PSI (207-345 kPa)	28 (193 kPa)
40-60 PSI (276-414 kPa)	38 (262 kPa)

(El primer número en el conmutador a presión es el de la bomba en la graduación; el segundo número es el de la bomba no en la graduación).

Se pueden conectar tanques de almacenamiento precargados juntos para aumentar la aspiración adicional. La aspiración adicional es la cantidad efectiva de agua utilizable que se encuentra disponible desde el momento en que el tanque está lleno hasta cuando la bomba se enciende. Si se instalan dos tanques del mismo tamaño, esto duplicará el suministro de aspiración adicional, y tres tanques triplicarán el suministro de aspiración adicional (Figura 1). Ubique el conmutador a presión según se ilustra. El tanque y el conmutador a presión no pueden estar a más de 10 pies (3 m) de distancia.

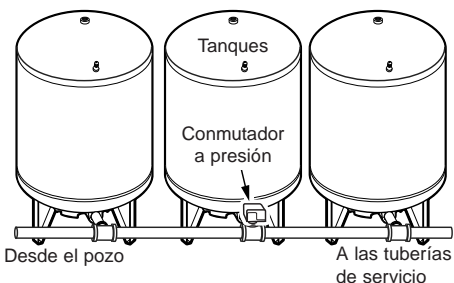


Figure 1

**AVISO:** La capacidad del tanque es diferente de la aspiración adicional. La capacidad del tanque es el volumen físico efectivo de la hoja de metal que forma el tanque.

## CICLO DE OPERACIÓN (FIGURA 2)

- Paso 1. El tanque está casi vacío - el aire se expande llenando el área por encima de la cisterna (Figura A).
- Paso 2. El agua entra en el tanque - el aire se comprime por encima de la cisterna a medida que se llena de agua (Figura B).
- Paso 3. Se ha completado el ciclo de bombeo - el aire comprimido para la graduación OFF (apagado) del conmutador a presión (Figura C).
- Paso 4. Aspiración adicional desde el tanque - el aire comprimido en el tanque hace que el agua salga de la cisterna (Figura D).
- Paso 5. La cisterna está vacía - el sistema está listo para comenzar un nuevo ciclo (Figura A).

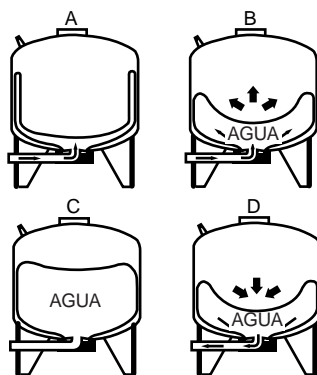


Figure 2

## INSTALACIÓN

Conecte el tubo de descarga desde la bomba al tubo en T. Conecte un lado del tubo en T al borde del tanque y el otro lado del tubo en T al servicio. Use tuberías de plástico o de acero según se requiera. Para evitar pérdidas, use cinta de Teflón o Plasto-Joint Stik<sup>1</sup> en las roscas macho de todas las conexiones fileteadas al tanque.

**AVISO:** Para asegurarse que no se hayan estropeado las roscas de las juntas de los tubos y de que todas las roscas estén limpias, efectúe primero las conexiones con la mano (sin sellador). Cuando las roscas estén limpias, retire el tubo, agregue la cinta de Teflón o el Plasto-Joint Stik, y vuelva a efectuar la conexión. Apriete primero con la mano y complete con una llave para tuberías.

Cuando instale un tubo acodado o un tubo corto de empalme en el borde del tanque de plástico, apriételo con la mano y luego déle una vuelta y media con una llave para tuberías. ¡NO APRIETE DEMASIADO!

## Reemplazo del tanque estándar

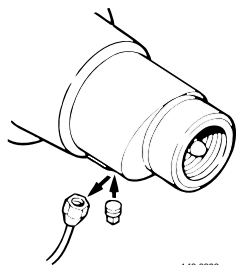
Cuando se cambia el tanque estándar en un sistema de agua por un tanque precargado, no se requieren orificios de purga ni control de volumen de aire (AVC). Cuando determine el tamaño del tanque precargado para reemplazar un tanque estándar, los tanques deberán tener aspiraciones adicionales equivalentes. Por ejemplo, el tanque precargado modelo FP7110T tiene una aspiración adicional de 5,8 galones (22 l) y es equivalente a un tanque estándar de 42 galones con una aspiración adicional de 4,3 galones (16,3 l).

<sup>1</sup>Lake Chemical Co., Chicago, Illinois

**⚠ ADVERTENCIA** Tensión y presión peligrosas.

Desconecte toda la corriente eléctrica hacia la bomba y haga salir toda la presión del sistema antes de efectuar trabajos en la bomba, el tanque o en las tuberías.

Para instalaciones de bombas de eyector, retire el tuvo AVC del orificio en el cuerpo de la bomba o el cuerpo del eyector y tape el orificio (ver Figura 3). Las bombas nuevas vienen con tapones instalados.



**Figura 3:** Tape el orificio de AVC (control del volumen de aire) cuando instale el tanque precargado en bombas ya existentes. Las nuevas bombas vienen con el tapón instalado.

**AVISO:** Cuando realice trabajos en bombas sumergibles en pozos, asegúrese de que la cuerda de seguridad esté conectada firmemente a la bomba y a un anclaje seguro en la cabeza del pozo en todo momento. ¡No deje caer la bomba en el pozo!

**Orificios de purga (Figura 4)**

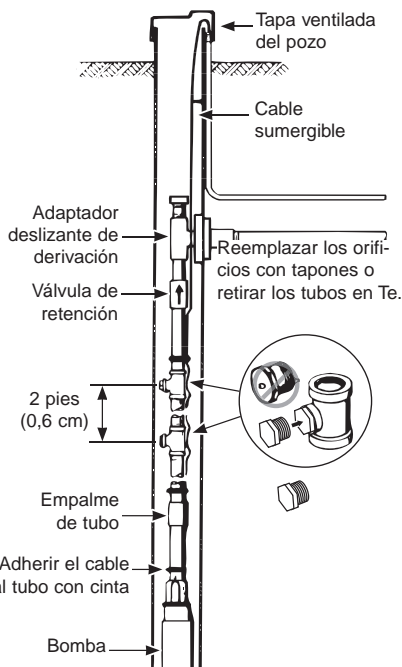
**AVISO:** En instalaciones de bombas sumergibles, es posible que hayan orificios de purga en el tubo vertical de descarga. Es necesario quitar estos orificios y taponar los tubos en T cuando se instale un tanque precargado en el sistema. Para realizar esto, eleve la bomba y la tubería de descarga lo suficiente como para que los orificios de purga estén por encima del pozo. Quite los orificios de purga de los tubos en T y sustitúyalos con tapones (ver Figura 4). Los orificios de purga pueden ser de diferentes tamaños. Tenga un par de cada uno de los tapones de 1/2", 3/4" y 1" disponibles. Vuelva a colocar la bomba y a conectar el tubo de descarga.

**Ajuste de la precarga del tanque**

En zonas en donde la temperatura permanece elevada durante períodos largos de tiempo, es posible que la presión precargada del tanque aumente. Esto puede reducir la aspiración adicional del tanque (cantidad de agua disponible por ciclo). Si esto ocurre, ajuste la presión precargada según la Tabla 1, página 17.

Baldee todo el aire del sistema de tuberías y de la porción del depósito de agua en el tanque precargado. Esto se requiere en: nuevas instalaciones, bombas que se deben volver a cebar, y bombas que se han desarmado para servicios de mantenimiento o reparaciones. Se debe realizar lo siguiente:

- Paso 1. Abra los grifos más lejanos al tanque y haga funcionar la bomba.
- Paso 2. Haga funcionar la bomba hasta que no haya más chisporroteo y se observe una corriente continua de agua.



**Figura 4**

Paso 3. Abra y cierre los grifos repetidamente hasta que se haya eliminado todo el aire.

Paso 4. Si la corriente de agua no es continua, es posible que haya una pérdida de aire hacia el sistema. Verifique que no hayan fugas en las tuberías del lado de aspiración de la bomba.

**AVISO:** Para evitar que la bomba se inunde, inspeccione la carga de aire en el tanque anualmente.

**CÓMO INSPECCIONAR LA CARGA DE AIRE DEL TANQUE**

Si la aspiración adicional disminuye en forma drástica, inspeccione lo siguiente:

- Paso 1. Para inspeccionar la carga de aire en el tanque, desconecte el suministro de corriente eléctrica hacia la bomba, abra el grifo cercano al tanque y drénelo completamente.
- Paso 2. En la válvula de aire, verifique la presión neumática del tanque con un calibrador de presión neumática. Consulte la Tabla 1, página 17, para la graduación correcta de presión. Si se requiere, ajuste la presión del tanque hacia arriba o hacia abajo.
- Paso 3. Use jabón o un detergente líquido para verificar que no hayan fugas de aire alrededor de la válvula de aire. Un continuo burbujeo indica pérdidas. Si es necesario, libere la presión de aire e instale un nuevo núcleo en la válvula de aire (igual al que se usa para las llantas de automóviles sin cámara interior.)

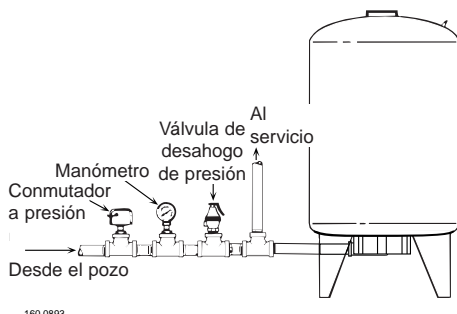
## PRUEBA DE PÉRDIDA EN LA CISTERNA

- Paso 1. **Desconecte la corriente eléctrica hacia la bomba.**
- Paso 2. Drene el agua de la cisterna del tanque abriendo el grifo más cercano al tanque.
- Paso 3. Saque la tapa de la válvula y libere toda la presión, presionando el núcleo de la válvula. Cuando no salga más aire de la válvula, retire el núcleo de la válvula para liberar la presión restante.
- Paso 4. Desconecte la tubería del codo en el reborde cobertor del tanque.
- Paso 5. Invierta el tanque con cuidado o colóquelo sobre un costado.

**⚠ ADVERTENCIA**

El agua que haya quedado retenida en el tanque puede ocasionar un cambio repentino de peso cuando se esté bajando. **Soporte el tanque para que no se caiga cuando lo esté bajando o invirtiendo.**

- Paso 6. Si hay fugas en la cisterna, el agua se escapará de la válvula. Si esto sucede, se deberá cambiar la cisterna.
- Paso 7. Si cambia la cisterna, asegúrese de dejar salir las presiones de aire y de agua antes de retirar el reborde cobertor. Cuando vuelva a armar el reborde cobertor, no apriete las tuercas o los pernos de montaje más de 85 pulgadas-libra (9,6 Nm).



**Figura 5: Instalación típica con un tanque precargado vertical y bombas de pozo sumergibles**

**AVISO:** Cuando use tubos de metal con accesorios de plástico, use solamente cinta de Teflón o Plasto-Joint Stik<sup>®</sup> en las roscas macho.

**AVISO:** La mayoría de los tanques tiene orificios separados de entrada y de salida. Los tanques precargados poseen un orificio para ambas funciones. Cuando sustituya un tanque estándar con un tanque precargado, haga correr un tubo desde la bomba hacia el tubo en T según se ilustra. La segunda pata del tubo en T va al codo del tanque; la tercera pata va al servicio ya existente.

## Información sobre el producto – Tanques precargados

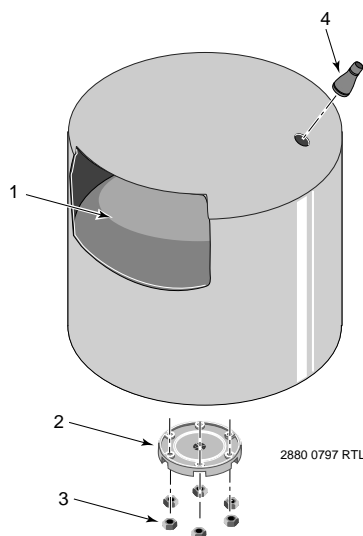
Número de catálogo	Aspiración adicional - Galones (L)		
	20 a 40 lib./pulg. <sup>2</sup> (138 a 276kPa)	30 a 50 lib./pulg. <sup>2</sup> (207 a 345kPa)	40 a 60 lib./pulg. <sup>2</sup> (276 a 414kPa)
FP7100	2,2 (8,3)	1,8 (6,8)	1,6 (6,1)
FP7100H	2,2 (8,3)	1,8 (6,8)	1,6 (6,1)
FP7110T	6,9 (26,1)	5,8 (22)	5,0 (18,9)
FP7110TH	6,9 (26,1)	5,8 (22)	5,0 (18,9)
FP7110	6,9 (26,1)	5,8 (22)	5,0 (18,9)
FP7120	12,7 (48,1)	10,7 (40,5)	9,3 (35,2)
FP7125	18,3 (69,3)	15,5 (58,7)	13,4 (50,7)
FP7130	30,0 (113,6)	26,0 (98,4)	22,0 (83,3)
FP7135	43,3 (156,3)	35,4 (134,0)	31,0 (117,3)

Número de catálogo	Capacidad máxima - Galones U.S. (L)	Equivalente a Tanque estándar Galones U.S. (L)	Diámetro del tanque (mm)	Altura del tanque (mm)	Rosca de descarga del tanque
FP7100	6 (23)	15 (57)	12" (305)	*16-1/2" (419)	3/4"
FP7100H	6 (23)	15 (57)	12" (305)	*16-1/2" (419)	3/4"
FP7110T	19 (72)	42 (159)	16" (406)	30-1/8" (765)	1"
FP7110TH	19 (72)	42 (159)	16" (406)	*24-5/8" (625)	1"
FP7110	19 (72)	42 (159)	20" (508)	22-3/4" (578)	1"
FP7120	35 (132)	82 (310)	20" (508)	36-1/4" (921)	1"
FP7125	50 (189)	120 (454)	24" (610)	34-3/4" (883)	1-1/4"
FP7130	85 (322)	220 (833)	24" (610)	54" (1 372)	1-1/4"
FP7135	119 (450)	320 (1 211)	24" (610)	68" (1 727)	1-1/4"

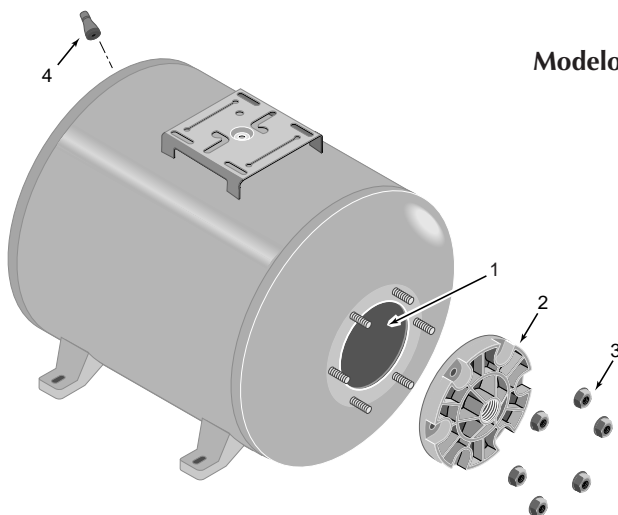
\* Largo global: este modelo es un tanque horizontal.

Para refacciones o asistencia, llame a Flotec Servicios al Cliente al: **1 800 365-6832**

Modelo  
FP7100-08



Modelo FP7100H-08

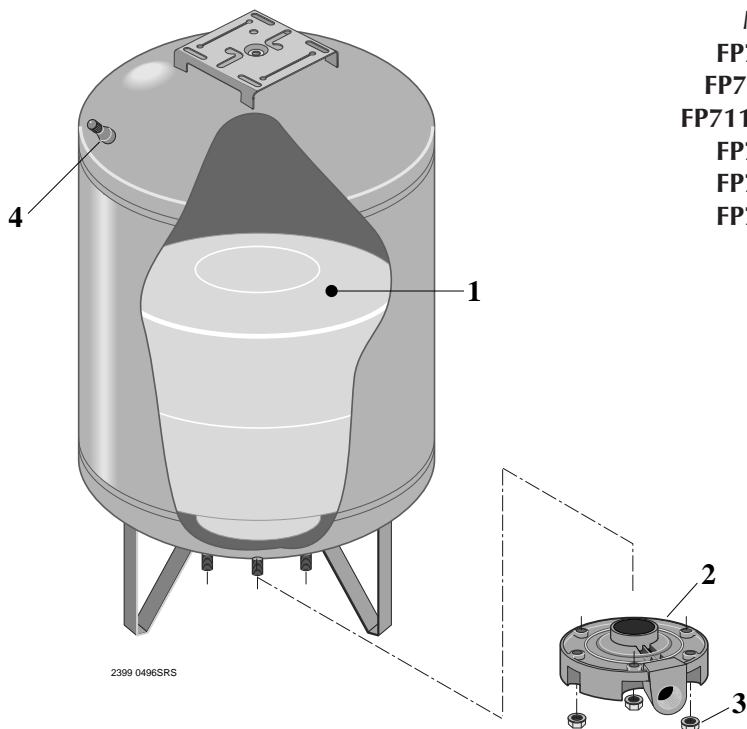


### REFACCIONES

Código No.	Descripción de la pieza	No. usado	FP7100H-08	FP7100-08
1	Cisterna - vinilo	1	U20-7	U20-7
2	Reborde cobertor	1	U31-442P	U31-442P
3†	Tuerca de bridas - 5/16 - 18	6	U36-202BT	U36-202BT
4	Valvula de aire con tapa	1	U212-160	U212-160

† Artículos estándar de ferretería, se pueden adquirir a nivel local.

Modelos  
 FP7110-08  
 FP7110T-08  
 FP7110TH-08  
 FP7120-08  
 FP7125-08  
 FP7130-08  
 FP7135



2399 0496SRS

REFACCIONES

Código No.	Descripción de la pieza	No. usado	FP7110-08	FP7110T-08	FP7110TH-08
1	Cisterna - vinilo	1	U20-8	U20-13	U20-13
2	Reborde cobertor y codo	1	U31-446P	U31-446P	U31-446P
3	Tuerca de bridas - 5/16 - 18	6	U36-202BT	U36-202BT	U36-202BT
4	Valvula de aire con tapa	1	U212-160	U212-160	U212-160

Código No.	Descripción de la pieza	No. usado	FP7120-08	FP7125-08	FP7130-08
1	Cisterna - vinilo	1	U20-9	U20-10	U20-14
2	Reborde cobertor y codo	1	U31-446P	U31-447P	U31-447P
3	Tuerca de bridas - 5/16 - 18	6	U36-202BT	U36-202BT	U36-202BT
4	Valvula de aire con tapa	1	U212-160	U212-160	U212-160

Código No.	Descripción de la pieza	No. usado	FP7135
1	Cisterna - vinilo	1	U20-20
2	Reborde cobertor y codo	1	U231-462P
3	Tuerca de bridas - 5/16 - 18	6	U36-202BT
4	Valvula de aire con tapa	1	U212-160

**ADHÍERA AQUÍ EL RECIBO ORIGINAL PARA VALIDACION DE GARANTÍA**

FLOTEC garantiza al comprador consumidor original ("Comprador") de sus productos, que éstos se encuentran libres de defectos de material o mano de obra.

Si dentro de los doce (12) meses de la fecha original de la compra cualquiera de los productos demostrara estar defectuoso, el mismo será reparado o reemplazado, a opción de FLOTEC con sujeción a los términos y condiciones expuestos a continuación. Se requiere su recibo original de compra para determinar si se encuentra bajo garantía.

**Excepciones a la Garantía por Doce (12) Meses**

<b>Producto</b>	<b>Periodo de garantía</b>
Bomba a taladro, Bomba a émbolo, Cartucho del filtro de agua en línea	90 días
Bombas de sumidero sumergibles INTELLIPUMP de 1/3 HP (Modelo FP0S1775A) Sistema de bomba de sumidero de respaldo (Modelo FP2800DCC)	2 años
Bombas de pozo sumergibles de 4" Bombas de sumidero sumergibles de 1/2 HP Modelos FPSC2200A-10 y FPSC2250A-10	3 años
Tanque precargado del sistema de agua Modelos FPSC3200A-10 y FPSC3250A-10	5 años
Floodmate® 7000 (Modelo FP0S6000A) Ironmate® (Modelo FPSC4550A) Eyector de aguas residuales (Modelo FPSE3601A) Bomba de pedestal para sumidero (Modelo FPPSS5000) Bomba para uso general (Modelo FPSC1725X) Bomba de sumidero sumergible (Modelo FPSC4550A-10)	De por vida

**Términos y Condiciones Generales**

El comprador debe pagar todos los gastos de mano de obra y transporte necesarios para reemplazar el producto cubierto por esta garantía. Esta garantía no se aplicará a hechos de fuerza mayor, ni se aplicará a los productos que, a juicio exclusivo de FLOTEC, hayan sido objeto de negligencia, abuso, accidente, aplicaciones contraindicadas, manejo indebido, alteraciones; ni debido a instalación, funcionamiento, mantenimiento o almacenaje incorrectos; ni a ninguna otra cosa que no sea su aplicación, uso o servicio normales, incluyendo, pero no limitado a, fallas operacionales causadas por corrosión, oxidación u otros elementos extraños en el sistema, o funcionamiento a presión por encima del máximo recomendado.

Los pedidos de servicio bajo los términos de esta garantía serán efectuados mediante la devolución del producto defectuoso al Vendedor o a FLOTEC, tan pronto como sea posible, después de localizado cualquier supuesto defecto. FLOTEC tomará luego acción correctiva, tan pronto como sea razonablemente posible. Ningún pedido de servicio bajo esta garantía será aceptado si se recibe más de 30 días después del término de la garantía.

Esta garantía establece la obligación única de FLOTEC y el remedio exclusivo del comprador en el caso de productos defectuosos.

**FLOTEC NO SERÁ RESPONSABLE POR NINGÚN DAÑO CONSECUENTE, INCIDENTAL O CONTINGENTE DE NINGUNA NATURALEZA.**

**LAS GARANTÍAS ANTERIORES SON EXCLUSIVAS Y REEMPLAZAN CUALESQUIERA OTRAS GARANTÍAS EXPRESAS. LAS GARANTÍAS IMPLÍCITAS, INCLUYENDO, PERO NO LIMITADAS A, LAS GARANTÍAS IMPLÍCITAS DE COMERCIABILIDAD Y APTITUD PARA UN PROPÓSITO EN PARTICULAR, NO DEBERÁN EXCEDER EL PERÍODO DE DURACIÓN DE LAS GARANTÍAS EXPRESAS APLICABLES AQUÍ PROVISTAS.**

Algunos estados no permiten la exclusión o limitación de daños incidentales o consecuentes ni las limitaciones respecto a la duración de garantías implícitas; de modo que las limitaciones o exclusiones precedentes pueden no aplicarse en su caso. Esta garantía le concede derechos legales específicos. Usted puede tener, además, otros derechos que varían de un estado a otro.

**FLOTEC • P.O. Box 342 • Delavan, WI U.S.A. 53115**

**Teléfono: 1-800-365-6832 • Fax: 1-800-526-3757**

**e-Mail (correo electrónico): [info@flotecwater.com](mailto:info@flotecwater.com) • Dirección web: <http://www.flotecwater.com>**



